

GN 612.1 | Mounting flanges

Steel



- 1
- 2
- 3
- 4
- 5
- 6
- 7
- 8
- 9
- 10
- 11
- 12
- 13
- 14
- 15
- 16
- 17
- 18

MATERIAL

Black-oxide steel.

GRUB SCREW

Black-oxide steel with brass bolt.

STANDARD EXECUTIONS

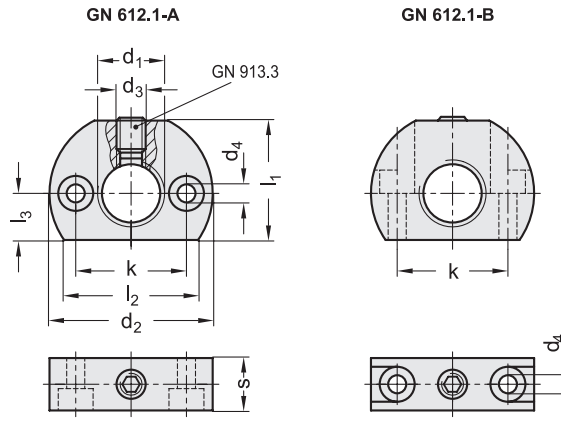
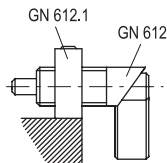
- **GN 612.1-A**: with pass-through holes for mounting cylindrical-head screws with hexagon socket coaxial to the plunger.
- **GN 612.1-B**: with pass-through holes for mounting cylindrical-head screws with hexagon socket perpendicular to the plunger.

FEATURES AND APPLICATIONS

GN 612.1 mounting flanges allow further possibilities of fastening GN 612/ GN 712/GN 712.1/GN 613 indexing plungers (6, 8 and 10 dimension).

SPECIAL EXECUTION ON REQUEST

AISI 303 stainless steel mounting flanges.



GN 612.1-A

Code	Description	d1	d2	d3	d4	k	l1	l2	l3	s	⚖
GN.34401	GN 612.1-M12x1.5-A	M12x1.5	32	M5	4.5	21±0.1	22	26.5	9	12	85
GN.34406	GN 612.1-M16x1.5-A	M16x1.5	46	M8	5.5	32±0.1	33	37	13	15	90
GN.34411	GN 612.1-M20x1.5-A	M20x1.5	46	M8	5.5	32±0.1	33	37	13	15	95

GN 612.1-B

Code	Description	d1	d2	d3	d4	k	l1	l2	l3	s	⚖
GN.34402	GN 612.1-M12x1.5-B	M12x1.5	32	M5	4.5	21±0.1	22	26.5	9	12	91
GN.34407	GN 612.1-M16x1.5-B	M16x1.5	46	M8	5.5	32±0.1	33	37	13	15	100
GN.34412	GN 612.1-M20x1.5-B	M20x1.5	46	M8	5.5	32±0.1	33	37	13	15	110

Indexing and positioning elements