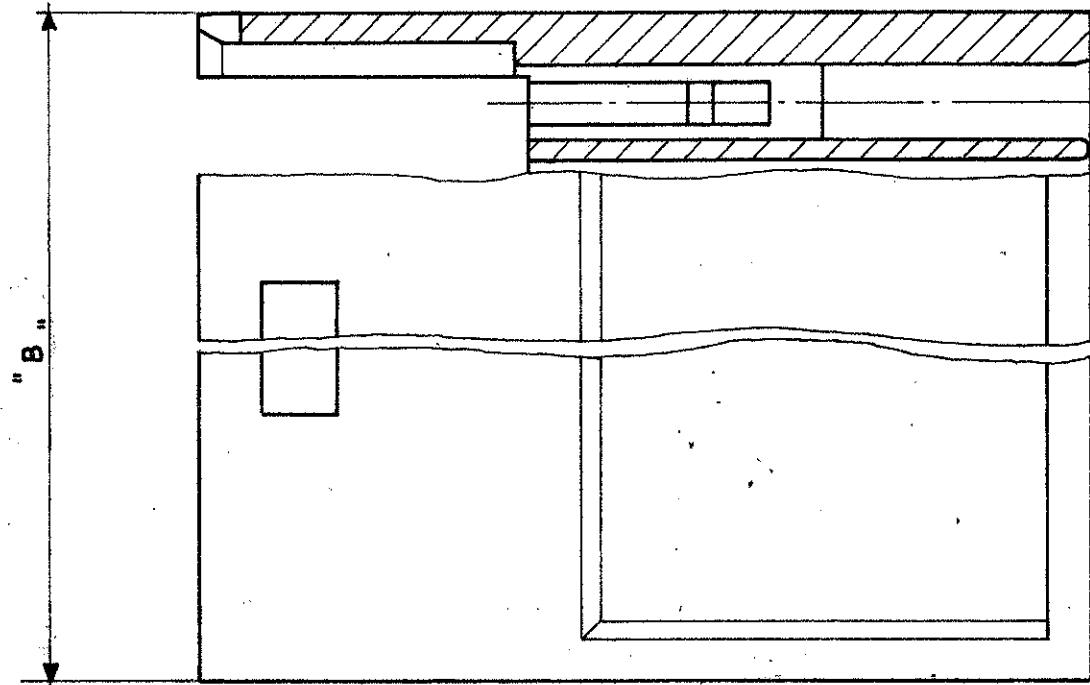
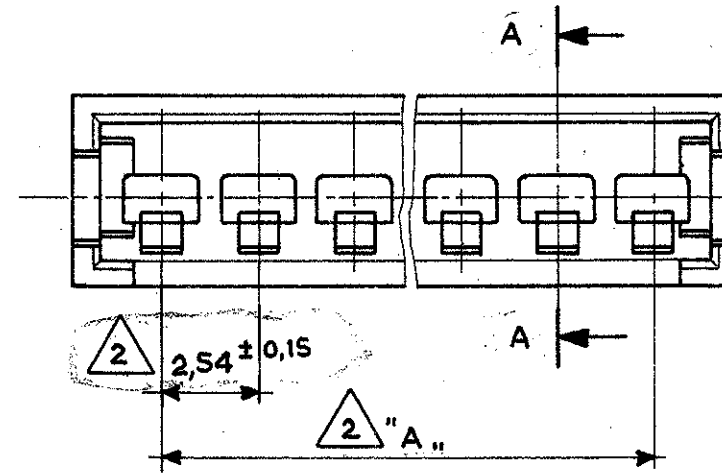
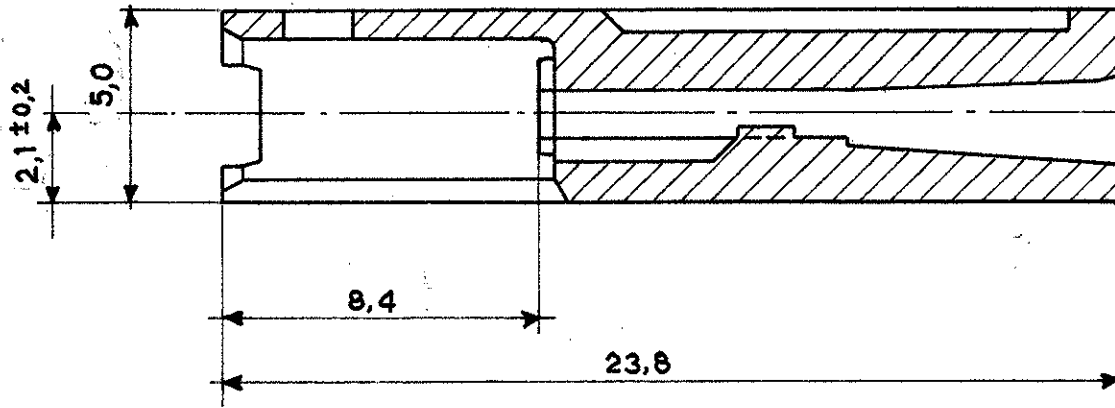


Sezione A-A
(Section)



4	OBSOLETE
	OBSOLETE

Note: (Notes)

- 1 Noryl (UL94-VI) Colore Nero (Black Colour).
- 2 Tolleranza non Cumulativa. (Non-Cumulative Tolerance.)
- 3 PA 6.6 15% g.f. masterizzato Rosso (PA 6.6 15% g.f. masterized - RED)
- 4 OBSOLETE PARTS: OBSOLETE CIS STREAMLINING PER D.RENAUD/D.SINISI
- 5 OBSOLETE

N° Pos.	Part. Number	Dim. "A"	Dim. "B"	Mat.
4	284072-1	7,62	12,5	
2	284071-1	2,54	7,4	
22	280636	53,34	58,2	
15	280635	35,56	40,4	
12	280634	27,94	32,8	
10	280633	22,86	27,7	
9	280632	20,32	25,1	
8	280631	17,78	22,6	
6	280630	12,70	17,5	
4	280629	7,62	12,5	
2	280628	2,54	7,4	

FINITURA / COLORE (FINISH / COLOUR)		MATERIALE (MATERIAL)		NUMERO (PART NUMBER)	
CUSTOMER DWG.		DISEGNO PER CLIENTE			
FOR REFERENCE ONLY		SOLO PER RIFERIMENTO			
THIS DRAWING IS UNPUBLISHED			RELEASE FOR PUBLICATION		
© COPYRIGHT 19 BY TE INCORPORATED, HARRISBURG, PA ALL INTERNATIONAL RIGHT RESERVED TE PRODUCTS MAY BE COVERED BY U.S. AND FOREIGN PATENT AND/OR PATENT PENDING					
TOLLERANZE: SE NON DIVERSAMENTE SPECIFICATO (TOLERANCES UNLESS OTHERWISE SPECIFIED)		DIAM. ISOLANTE (INS. DIA. RANGE)		RANGO FILO (WIRE RANGE)	
± 0,3				SCALA (SCALE)	
ANGOLI (ANGLES) ± 2°				5:1	
H4 ECR-10-022530 KK 14FEB11 H3 REVISED PER ECO-10-000445 KK JAN10 H2 RELEASED FOR PRODUCTION 284071-1 284072-1 ETCO-01000000 29/9/86 H1 Addid. PNE per EC-ET00-04457 29/9/86 2 Revised note 1 Revised and Redrawn		CONT. (CHK) APP. (APP.) DIS. (DR.) Bassano 29/9/86		DESCRIZIONE (DESCRIPTION) AMP MODU I Pin Housing, Single Row, Crimp Snap-In. LOC. SIZE (DWG NO) IA3 C- (Master Dwg.) NUMERO (DWG NO) 280628 REV. (REV.) H4 POGGIO (SHEET) 1 (OF 1)	