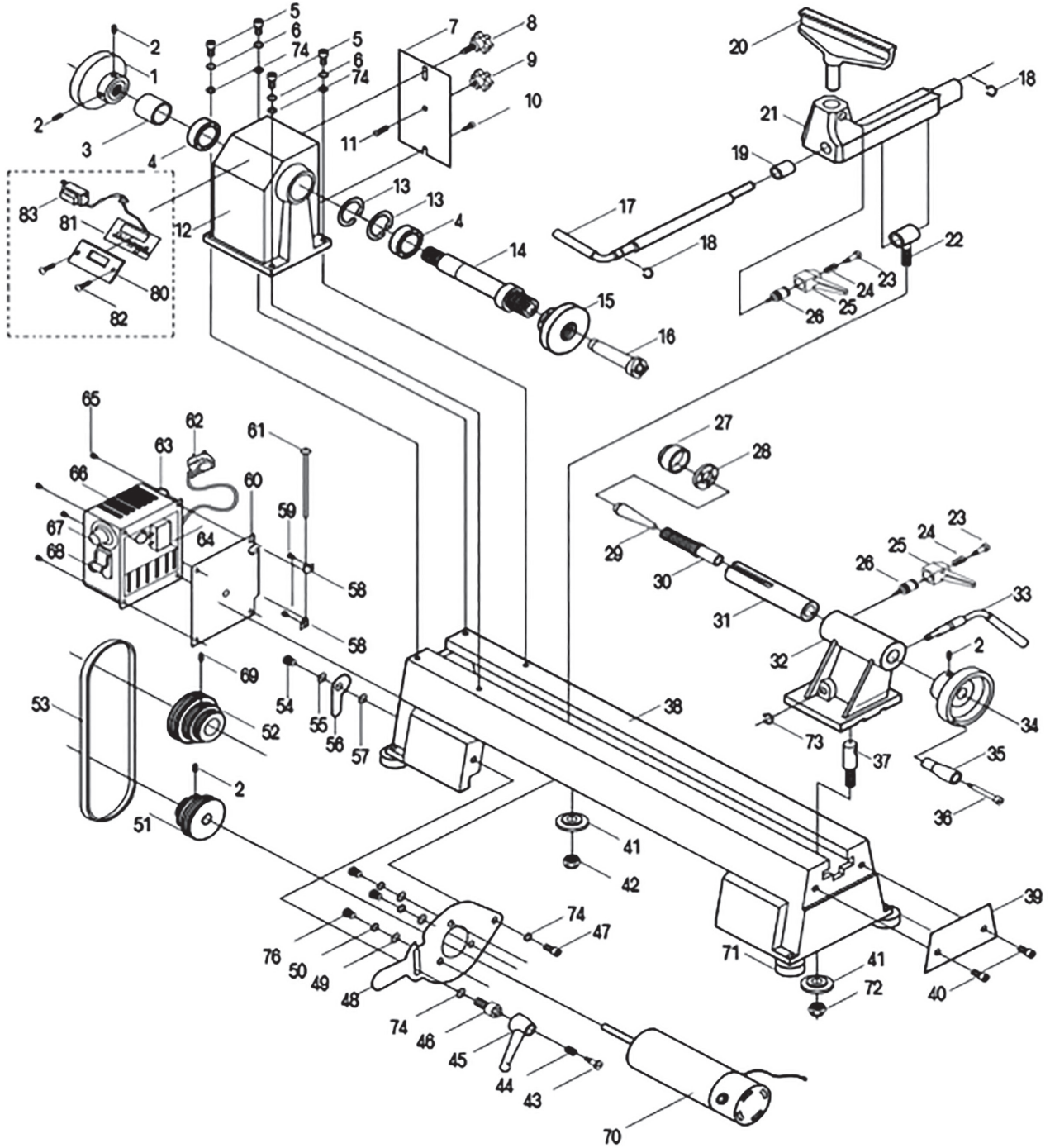


# WOOD LATHE

60989 - WTL457 SPARE PARTS DRAWING





230V VARIABLE SPEED COMPACT

# WOOD LATHE

60989 - WTL457 SPARE PARTS DRAWING

KEY No.	PART No.	STOCK No.	DESCRIPTION
1	YWTL457-01	62896	Hand wheel
2	YWTL457-02	62897	Hex socket screw M6x12
3	YWTL457-03	62898	Collar spindle
4	YWTL457-04	62899	Ball bearing 80105
5	YWTL457-05	62900	Hex socket screw M8x25
6	YWTL457-06	62901	Washer
7	YWTL457-07	62902	Rear belt door
8	YWTL457-08	62903	Moving knob
9	YWTL457-09	62904	Stationary knob
10	YWTL457-10	62905	Bolt
11	YWTL457-11	62906	Semi-circle head screw
12	YWTL457-12	62907	Headstock
13	YWTL457-13	62908	Retaining ring
14	YWTL457-14	62910	Headstock spindle
15	YWTL457-15	62911	Face plate
16	YWTL457-16	62912	Headstock spur centre
17	YWTL457-17	62913	Lock handle for tool rest base
18	YWTL457-18	62914	Retaining ring
19	YWTL457-19	62915	Tool rest bushing
20	YWTL457-20	62916	Tool rest (150mm ,300mm)
21	YWTL457-21	62917	Tool rest base
22	YWTL457-22	62918	Tool rest cam follower
23	YWTL457-23	62919	Flat head screw
24	YWTL457-24	62920	Spring
25	YWTL457-25	62921	Handle
26	YWTL457-26	62922	Lock bolt
27	YWTL457-27	62923	Cup centre
28	YWTL457-28	62924	Ball bearing 80102
29	YWTL457-29	62925	Taper rod
30	YWTL457-30	62926	Tailstock quill
31	YWTL457-31	62927	Tail axis
32	YWTL457-32	62928	Tailstock
33	YWTL457-33	62929	Eccentric axis
34	YWTL457-34	62930	Quill adjusting wheel
35	YWTL457-35	62931	Quill crank handle
36	YWTL457-36	62932	Bolt
37	YWTL457-37	62933	Cam follower tailstock
38	YWTL457-38	62934	Bed
39	YWTL457-39	62935	Retaining plate
40	YWTL457-40	62936	Hex socket screw M10x12

KEY No.	PART No.	STOCK No.	DESCRIPTION
41	YWTL457-41	62940	Lock plate
42	YWTL457-42	62941	Nut M10
43	YWTL457-43	62942	Flat head screw
44	YWTL457-44	62947	Spring washer
45	YWTL457-45	62961	Handle
46	YWTL457-46	62962	Lock screw
47	YWTL457-47	62964	Hex socket screw M8x12
48	YWTL457-48	62967	Motor plate
49	YWTL457-49	62972	Big washer
50	YWTL457-50	62974	Washer
51	YWTL457-51	62975	Motor pulley
52	YWTL457-52	62976	Drive pulley
53	YWTL457-53	62977	Drive belt
54	YWTL457-54	62978	Bolt
55	YWTL457-55	62979	Washer
56	YWTL457-56	62980	Door latch
57	YWTL457-57	62981	Washer
58	YWTL457-58	62982	Hinge
59	YWTL457-59	62983	Semi-circle head screw M4x8
60	YWTL457-60	62985	Switch-box plate
61	YWTL457-61	63007	Pin hinge
62	YWTL457-62	63021	Power cord
63	YWTL457-63	63022	Overload protector
64	YWTL457-64	63036	Line board
65	YWTL457-65	63075	Screw M4x6
66	YWTL457-66	63102	Switch-box
67	YWTL457-67	63104	Knob
68	YWTL457-68	63105	Switch
69	YWTL457-69	63106	Hex screw M6x12
70	YWTL457-70	63108	Motor
71	YWTL457-71	63110	Rubber washer
72	YWTL457-72	63139	Nut M10
73	YWTL457-73	63143	Retaining ring
74	YWTL457-74	63146	Washer
75	YWTL457-75	63149	Flat head screw
80	YWTL457-80	63254	Variable plate
81	YWTL457-81	63255	Screw
82	YWTL457-82	63281	Digital display
83	YWTL457-83	63282	Transformer

Helpline: +44 (0) 23 8049 4344 Sales Desk: +44 (0) 23 8049 4333 General Enquiries: +44 (0) 23 8026 6355 internet: drapertools.com email: sales@drapertools.com