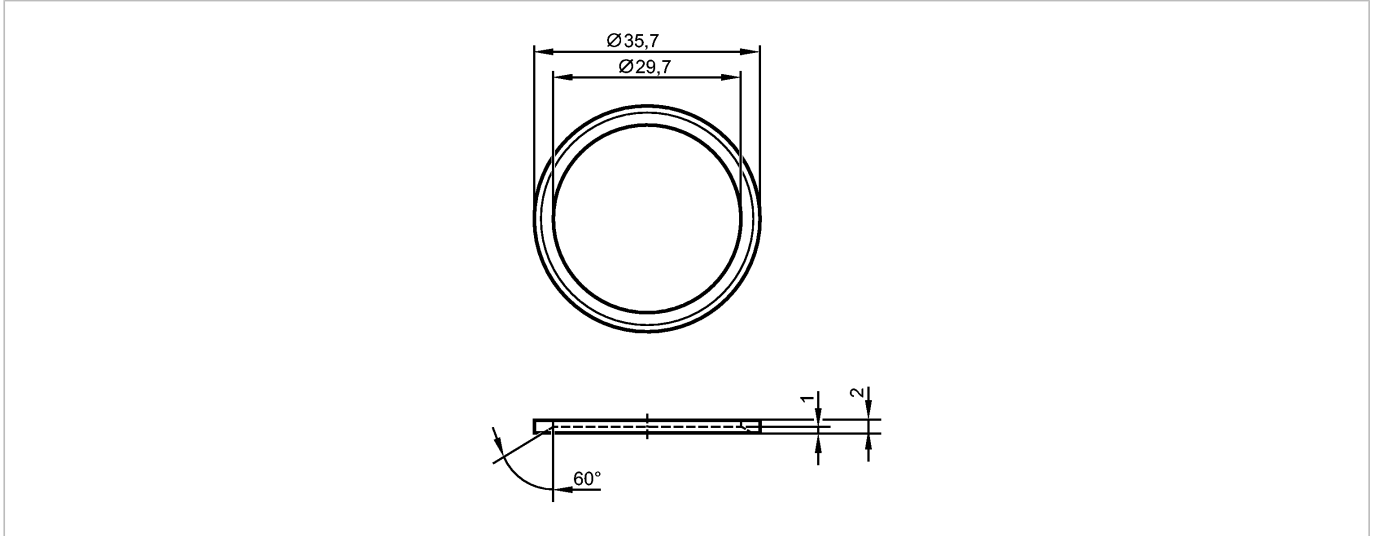


SEAL RING DIN3869 G1 FPM

Accessories



Product characteristics

Formdichtung

DIN 3869 - 33

Mechanical data

for units with process connection

G 1 A

Housing materials

FKM

Weight [kg]

0.012

Remarks

Pack quantity [piece]

10