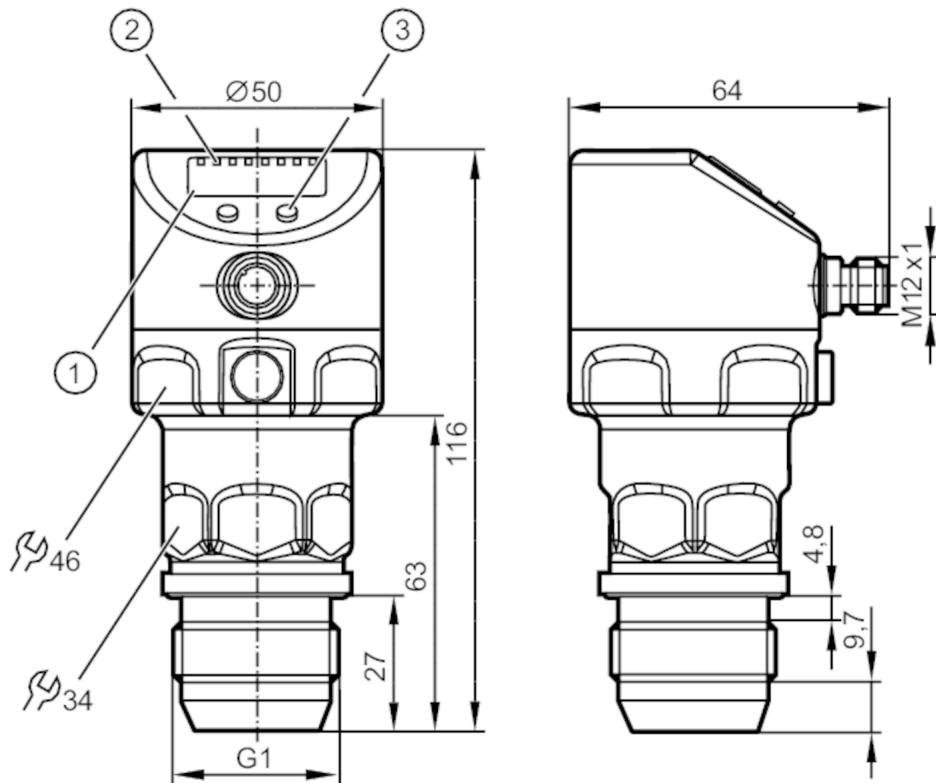


PI2602



Flush pressure sensor with display

PI-100-REA01-MFRKG/US/ IP



- 1 alphanumeric display 4-digit
- 2 status LEDs
- 3 programming button
- 4 G 1 sealing cone external thread



EC 1935/2004 FCM FDA IO-Link

Product characteristics

Output signal	switching signal; analogue signal; IO-Link; (configurable)		
Measuring range	-1...100 bar	-15...1450 psi	-0.1...10 MPa
Process connection	threaded connection G 1 external thread sealing cone		

Application

Special feature	Gold-plated contacts		
Application	food and beverage industry		
Media	viscous media and liquids with suspended particles; liquids and gases		
Conditionally suitable for	use in gases at pressures > 25 bar only on request		
Medium temperature [°C]	-25...125; (145 max. 1h)		
Pressure rating	200 bar	2900 psi	20 MPa
Min. bursting pressure	650 bar	9425 psi	65 MPa
Vacuum resistance [mbar]	-1000		
Type of pressure	relative pressure; vacuum		
No dead space	yes		



Flush pressure sensor with display

PI-100-REA01-MFRKG/US/ IP

Electrical data		
Min. insulation resistance	[MΩ]	100; (500 V DC)
Protection class		III
Reverse polarity protection		yes
Integrated watchdog		yes
2-wire		
Operating voltage	[V]	20...32 DC
Current consumption	[mA]	3.6...21
Power-on delay time	[s]	1
3-wire		
Operating voltage	[V]	18...32 DC
Current consumption	[mA]	< 45
Power-on delay time	[s]	0.5
Inputs / outputs		
Number of inputs and outputs		Number of digital outputs: 2; Number of analogue outputs: 1
Outputs		
Total number of outputs		2
Output signal		switching signal; analogue signal; IO-Link; (configurable)
Electrical design		PNP/NPN
Number of digital outputs		2
Output function		normally open / normally closed; (parameterisable)
Number of analogue outputs		1
Analogue current output	[mA]	4...20, invertible; (scalable)
Short-circuit protection		yes
Type of short-circuit protection		pulsed
Overload protection		yes
2-wire		
Max. load	[Ω]	300
3-wire		
Max. voltage drop switching output DC	[V]	2
Permanent current rating of switching output DC	[mA]	250
Switching frequency DC	[Hz]	125
Max. load	[Ω]	(U _b - 10 V) / 20 mA

PI2602



Flush pressure sensor with display

PI-100-REA01-MFRKG/US/ IP

Measuring/setting range			
Measuring range	-1...100 bar	-15...1450 psi	-0.1...10 MPa
Set point SP	-0.8...100 bar	-12...1450 psi	-0.08...10 MPa
Reset point rP	-1...99.8 bar	-15...1448 psi	-0.1...9.98 MPa
Analogue start point	-1...75 bar	-15...1088 psi	-0.1...7.5 MPa
Analogue end point	24...100 bar	348...1450 psi	2.4...10 MPa
In steps of	0.1 bar	1 psi	0.01 MPa
Factory setting		SP1 = 25.0 bar	rP1 = 23 bar
		SP2 = 75.0 bar	rP2 = 73 bar
		ASP = 0.0 bar	AEP = 100.0 bar
Accuracy / deviations			
Switch point accuracy [% of the span]	< ± 0,5; (Turn down 1:1)		
Repeatability [% of the span]	< ± 0,1; (with temperature fluctuations < 10 K; Turn down 1:1)		
Characteristics deviation [% of the span]	< ± 0,5; (Turn down 1:1 linearity, incl. hysteresis and repeatability limit value setting to DIN 16086)		
Linearity deviation [% of the span]	< ± 0,15; (Turn down 1:1)		
Hysteresis deviation [% of the span]	< ± 0,15; (Turn down 1:1)		
Long-term stability [% of the span]	< ± 0,1; (Turn down 1:1; per year)		
Temperature coefficient zero point [% of the span / 10 K]	< ± 0,2; (0...70 °C)		
Temperature coefficient span [% of the span / 10 K]	< ± 0,2; (0...70 °C)		
Response times			
Damping for the switching output dAP [s]	0...30		
Damping for the analogue output dAA [s]	0.01...99.99		
2-wire			
Step response time analogue output [ms]	45		
3-wire			
Min. response time of switching output (dAP) [ms]	3		
Step response time analogue output [ms]	7		

PI2602



Flush pressure sensor with display

PI-100-REA01-MFRKG/US/ IP

Interfaces	
Communication interface	IO-Link
Transmission type	COM2 (38,4 kBaud)
IO-Link revision	1.0
IO-Link device ID	731 d / 00 02 db h
Profiles	no profile
SIO mode	yes
Required master port type	A
Process data analogue	1
Process data binary	2
Min. process cycle time [ms]	2.3

Operating conditions	
Ambient temperature [°C]	-25...80
Storage temperature [°C]	-40...100
Protection	IP 67; IP 68; IP 69K

Tests / approvals		
EMC	EN 61000-4-2 ESD	4 kV CD / 8 kV AD
	EN 61000-4-3 HF radiated	10 V/m
	EN 61000-4-4 Burst	2 kV
	EN 61000-4-5 Surge	0,5/1 kV
	EN 61000-4-6 HF conducted	10 V
Shock resistance	DIN IEC 68-2-27	50 g (11 ms)
Vibration resistance	DIN IEC 68-2-6	20 g (10...2000 Hz)
MTTF [years]	154	
Note on approval	factory certificate available as download at www.factory-certificate.ifm	

Mechanical data	
Weight [g]	374
Materials	stainless steel (1.4404 / 316L); FKM; PTFE; PBT; PEI; PFA
Materials (wetted parts)	ceramics (99.9 % Al ₂ O ₃); PTFE; stainless steel (1.4435 / 316L); surface characteristics: Ra < 0,4 / Rz 4
Min. pressure cycles	100 million
Process connection	threaded connection G 1 external thread sealing cone

Displays / operating elements		
Display	Display unit	LED, green
	switching status	LED, yellow
	function display	alphanumeric display, 4-digit
	measured values	alphanumeric display, 4-digit
Display unit	bar; MPa; psi; % of the span	

Remarks	
Pack quantity	1 pcs.

Electrical connection	
Connector: 1 x M12; Contacts: gold-plated	

PI2602

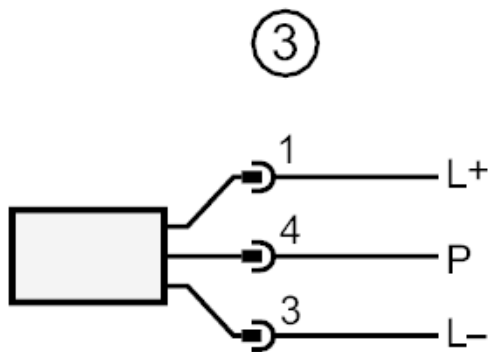
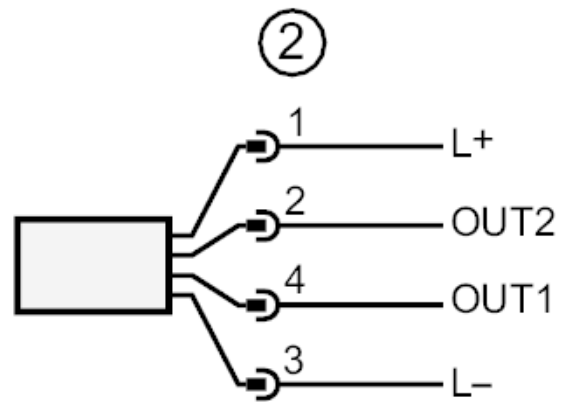
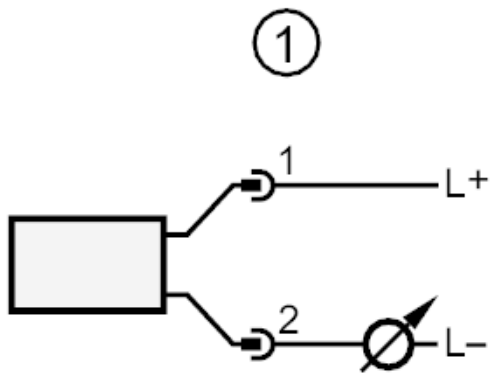


Flush pressure sensor with display

PI-100-REA01-MFRKG/US/ IP



Connection



- 1 connection for 2-wire operation
- 2 connection for 3-wire operation :
- OUT1 switching output
- OUT2 switching output
- analogue output
- 3 connection for IO-Link parameter setting (P = communication via IO-Link)