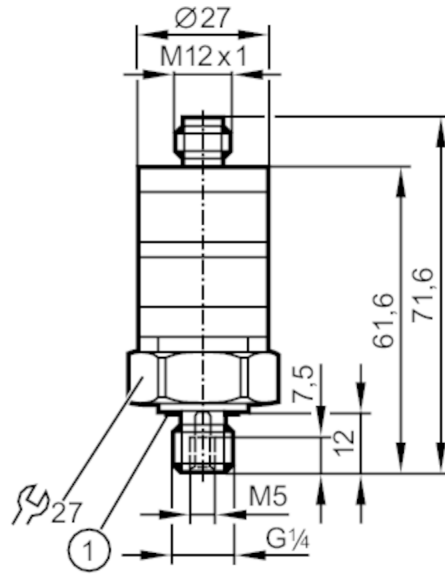


# PK6534



## Pressure switch with intuitive switch point setting

PK-010-RFG14-HCPKG/US/ IW



1 Sealing



### Product characteristics

Output signal	switching signal		
Measuring range	0...10 bar	0...1000 kPa	0...1 MPa
Process connection	threaded connection G 1/4 external thread internal thread M5		

### Application

Application	for industrial applications		
Media	liquids and gases		
Medium temperature [°C]	-25...80		
Pressure rating	25 bar	2.5 MPa	
Min. bursting pressure	300 bar	30 MPa	
Type of pressure	relative pressure		

### Electrical data

Operating voltage [V]	9.6...32 DC		
Current consumption [mA]	< 25		
Min. insulation resistance [MΩ]	100; (500 V DC)		
Protection class	III		
Reverse polarity protection	yes		

### Inputs / outputs

Number of inputs and outputs	Number of digital outputs: 2		
------------------------------	------------------------------	--	--



## Pressure switch with intuitive switch point setting

PK-010-RFG14-HCPKG/US/ W

Outputs			
Total number of outputs		2	
Output signal		switching signal	
Electrical design		PNP	
Number of digital outputs		2	
Output function		complementary	
Max. voltage drop switching output DC	[V]	2	
Permanent current rating of switching output DC	[mA]	500	
Switching frequency DC	[Hz]	100	
Short-circuit protection		yes	
Type of short-circuit protection		pulsed	
Overload protection		yes	
Measuring/setting range			
Measuring range		0...10 bar	0...1000 kPa      0...1 MPa
Set point SP		0.5...10 bar	0.05...1 MPa
Reset point rP		0.3...9.8 bar	0.03...0.98 MPa
Accuracy / deviations			
Switch point accuracy	[% of the final value]	< ± 2,5; (Setting accuracy)	
Repeatability	[% of the final value]	< ± 0,5; (with temperature fluctuations < 10 K)	
Characteristics deviation	[% of the final value]	< ± 1,5 (BFSL) / < ± 2,5 (LS); (BFSL = Best Fit Straight Line; LS = limit value setting)	
Temperature drift per 10 K		< ± 0.5	
Software / programming			
Adjustment of the switch point		setting rings	
Operating conditions			
Ambient temperature	[°C]	-25...80	
Storage temperature	[°C]	-40...100	
Protection		IP 67	
Tests / approvals			
EMC		DIN EN 61000-6-2	
		DIN EN 61000-6-3	
Shock resistance		DIN IEC 68-2-27	50 g (11 ms)
Vibration resistance		DIN IEC 68-2-6	20 g (10...2000 Hz)
MTTF	[years]	500	
Pressure Equipment Directive		Sound engineering practice; can be used for group 2 fluids; group 1 fluids on request	

# PK6534



## Pressure switch with intuitive switch point setting

PK-010-RFG14-HCPKG/US/ IW

Mechanical data	
Weight [g]	93
Materials	PBT; PC; FKM; stainless steel (1.4404 / 316L)
Materials (wetted parts)	stainless steel (1.4404 / 316L); FKM
Min. pressure cycles	50 million
Tightening torque [Nm]	25
Process connection	threaded connection G 1/4 external thread internal thread M5
Restrictor element integrated	no (can be retrofitted)

Displays / operating elements		
Display	operation	LED, green
	switching status	LED, yellow
With scale	yes	

Remarks	
Pack quantity	1 pcs.

### Electrical connection

Connector: 1 x M12



### Connection

