

## SUPPRESSOR FOR CONTACTORS

VDR-diode, 220 VDC, 25 W

24...240 V DC

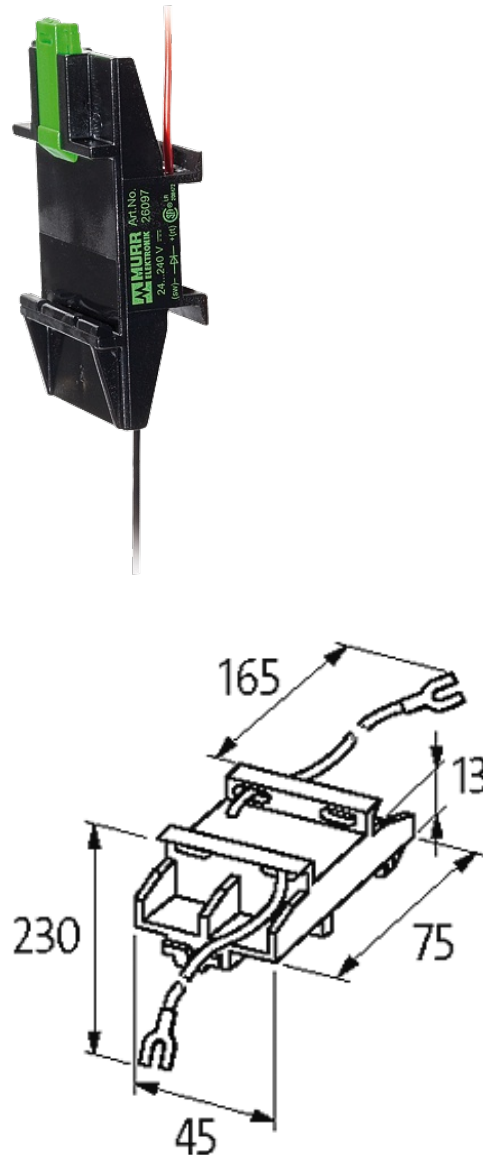
VDR + Diode

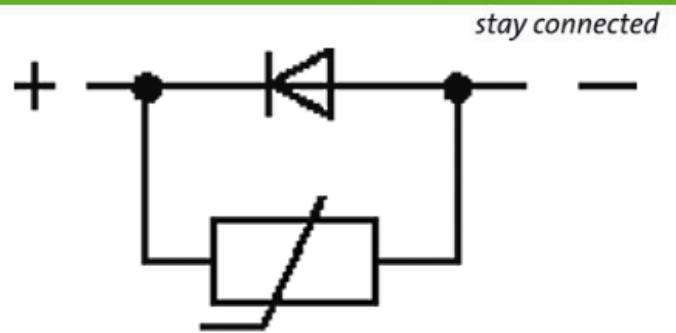
DIN-rail mountable (EN 60715)

For other configurations and voltages, please inquire

### [Link to Product](#)

#### Illustration





## Diode + VDR

Product may differ from Image

### Approvals



### Appropriate contactors

universal

### Technical Data

Damping factor	approx. 1.5 × UN
Material	Flame retardant plastic acc. to (UL 94)
Connection wires	self-securing cable forks
Max. power (W)	25 W(VA)

### General data

Mounting method	DIN-rail mountable (EN 60715)
Temperature range	-20...+70 °C
Dimensions H × W × D	75×45×13 mm

### Commercial data

country of origin	CZ
customs tariff number	85363010
minimum order quantity	1