

## MVP-METALL, 8XM12, 5POLE, PRE-WIRED CABLE

5.0m PUR 16x0,34+5x0,75, UL/CSA

8-way, 5-pole, DIAGNOSTIC  
PUR (UL/CSA), halogen free  
5.0 m

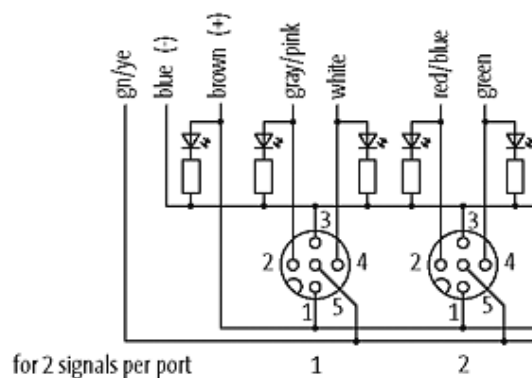
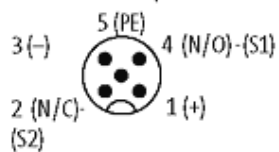
Further cable lengths on request.

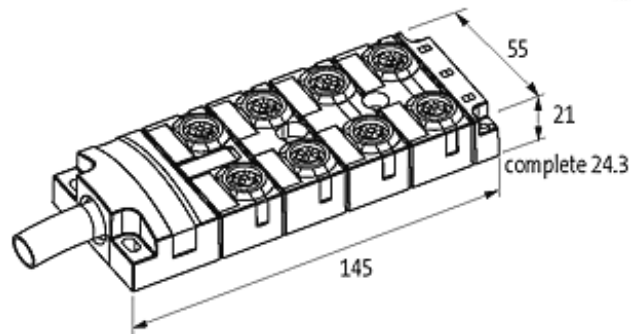
### [Link to Product](#)

#### Illustration



M12-Females 5-pole





Product may differ from Image

### Technical Data

Operating voltage	24 V DC (EN 61131-2), potential separation 0 V for left/right side
Current consumption	max. 35 mA
LED display	LED (green): P1 and P2; LED (red): ERROR for optical diagnostics
LED display per port	LED (yellow): contact 4 and 2; 2 × LED (red): for failure
Diagnostic output	active high, max. load 25 mA, wire (brown 2)
Unit protection	pulse switching
Required power supply with max. ports	min. 10 A
Total current	max. 10 A
Operating current (contact 3)	max. 0.5 A (shutoff 0.7...0.9 A)
Protection	IP65, IP67, IP68 inserted and tightened (EN 60529)
Housing	Zinc die casting, matte nickel plated
Locking of ports	Screw thread M12 × 1 mm

### Cables

Cable number	403
No./diameter of wires	16×0.34 + 5×0.75 mm <sup>2</sup>
Wire isolation	TPE (grpk, wh, rd, bl, gn, whgn, ye, brgn, gr, whye, pk, yebr, rd, whgr, bk, grbr, vi, br, bl, gnye)
C-track properties	5 Mio.
Jacket Color	gray
Shore hardness outer jacket	85 ± 5A
Material (jacket)	PUR (UL/CSA)
Outer diameter	approx. 11.5 mm
Bend radius (fixed)	7.5 × outer Ø
Bend radius (moving)	10 × outer Ø
Temperature range (fixed)	-40...+80 °C
Temperature range (mobile)	-5...+80 °C

### General data

Temperature range	-20...+60 °C
Dimensions H × W × D	145×55×21 mm

### Contact layout

Contact 1	(+)
-----------	-----

Contact 2	(NC)/(S2)
Contact 3	(-)
Contact 4	(NO)/(S1)
Contact 5	(Earth)
LED display	LED (green): Power / LED (yellow): (S1/S2) / LED (red): Failure

### Description

Functional description	All M12 ports are current monitored regarding 0 V total current (contact 3), and are switched off in case of overload or short-circuit (self-resetting). Supply voltage remains the same. In case of a fault the DIAGNOSTIC signal "active high" to the PLC (wi
------------------------	---

### Commercial data

country of origin	CZ
customs tariff number	85444290
minimum order quantity	1