

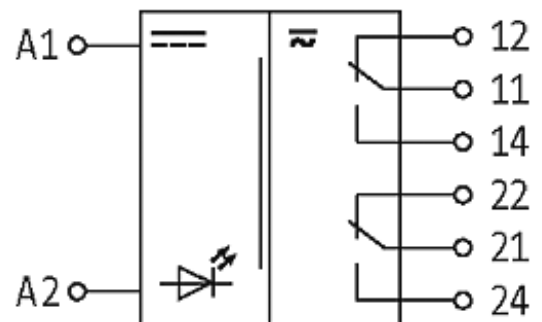
RM 12/24 OUTPUT RELAY

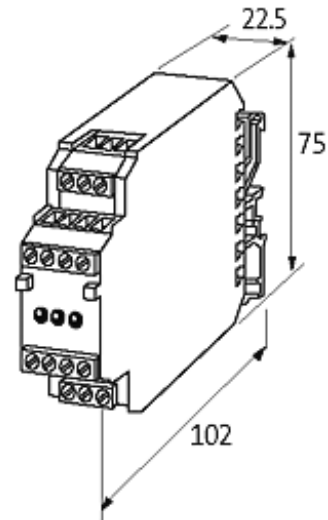
IN: 24 VAC/DC - OUT: 250 VAC/DC / 5 A

1 relay; 2 NO/NC contacts
5 A
24 V DC
Screw terminals

[Link to Product](#)

Illustration





Product may differ from Image

Utilization category

AC-1	8 A (24/110/230 V AC)
AC-15	3 A (24/110/230 V AC)
DC-13	2 A (24 V DC); 0.3 A (110 V DC); 0.2 A (230 V DC)

Input

Connection voltage - current	24 VAC/DC (20.4...26.4 VAC/DC) - 20mA
LED display	LED (red)

General data

Mech./ elect. life	50.000.000 switching cycles/load dependent
Test isolation voltage	4 kV
Mounting method	DIN-rail mountable TH35 or G32 (EN 60715)
Temperature range	-20...+50 °C
Dimensions H × W × D	75×22.5×102 mm

Output

Switching voltage	max. 250 V AC/DC
Switching current per output	max. 8 A
Min. load current	100 mA
Power rating (voltage dependent)	max. 1250 VA/240 W
Switching frequency	max. 0.1 Hz (with load)
Contact material	Ag Ni 0.15 hv
Energize/release/contact bounce time	10/10/2 ms

Commercial data

country of origin	CZ
customs tariff number	85364900
minimum order quantity	1