

SVS VALVE PLUG FORM B 10 MM FIELD-WIREABLE

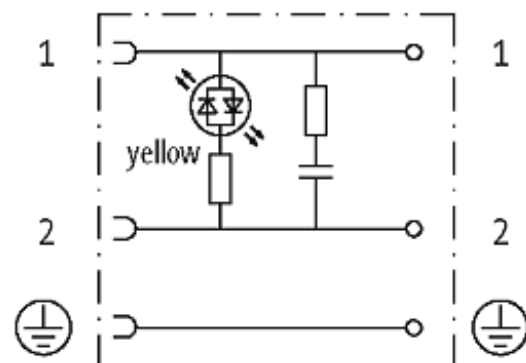
24V LED+RC PG9

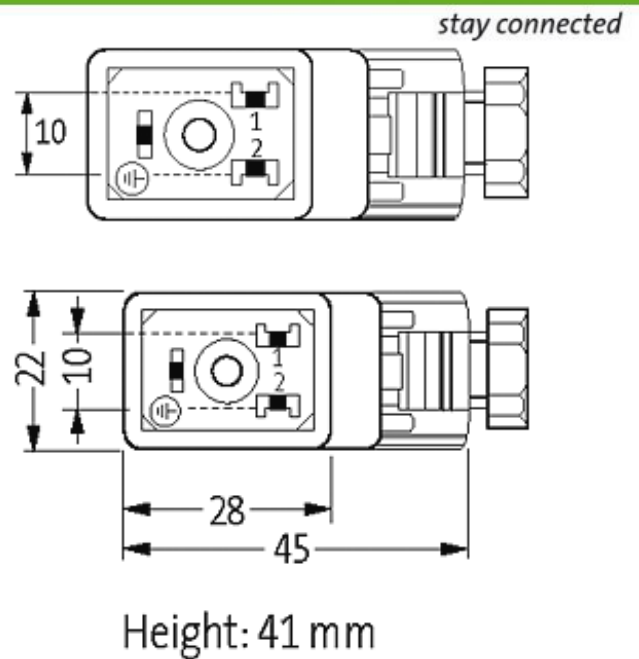
Form B (10 mm)
24 V AC/DC with LED and RC
PG 9

Plastic housings with good resistance against chemicals and oils. The resistance to aggressive media should be individually tested for your application. Further details on request.

[Link to Product](#)

Illustration





Product may differ from Image

Approvals



Form

29621

Technical Data

Operating voltage	24 V AC/DC $\pm 25\%$
Operating current per contact	max. 2 A
Max. power (W)	max. 50 W(VA)
Connection cross section	4 mm ² single core, with ferrule end 1.5 mm ²
Sealing range (cable diameter)	6...8 mm
Locking of ports	M3 (recommended torque 0.4 Nm)
Compression gland	PG 9
Protection	IP65 inserted and tightened (EN 60529), with gland

General data

Temperature range	-20...+60 °C
-------------------	--------------

Commercial data

country of origin	CZ
customs tariff number	85369010
minimum order quantity	1