

Model Number

IPT1-FP

Read/write station

Features

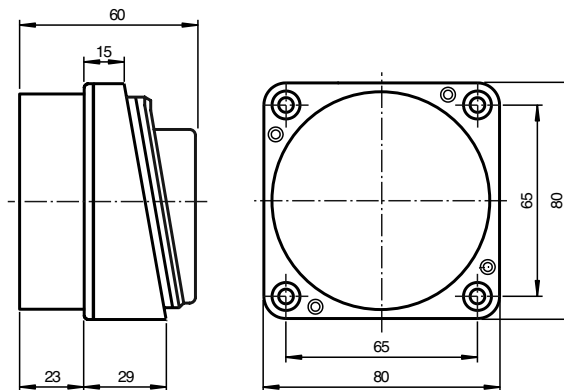
- With integrated control interface unit
- Serial interfaces and field-bus interfaces selectable through lower part
- Read distance of up to 100 mm
- Write distance of up to 50 mm
- 3 LEDs for function indication
- Protection degree IP67
- Optimized reading speed for fixed codes
- Suited for writing of IPC11

Function

The IPT1-FP read/write station is used in combination with a base which contains the interface for connecting to a computer. Through the choice of base, either serial interfaces or field-bus interfaces may be selected.

The analysis system is integrated in the device and simplifies the system construction. Protection class IP67 allows the device to be installed directly in the field.

Dimensions



Technical data

General specifications

Operating frequency	125 kHz
Transfer rate	2 kBit/s
Operating distance	maximum: 100 mm
UL File Number	E87056

Indicators/operating means

LED green	Power on
LED yellow	IPC detected
LED red	bus fault (when using fieldbus interfaces)

Electrical specifications

Rated operational voltage	U_e	20 ... 30 V DC, ripple 10 % _{SS} , PELV
Power consumption	P_0	max. 5 W, in connection with the base
Electrical isolation		
Operating voltage/interface		functional insulation acc. to DIN EN 50178, rated insulation voltage 50 V _{eff}

Interface

Physical	Interface type depends on base used
----------	-------------------------------------

Ambient conditions

Ambient temperature	-25 ... 70 °C (-13 ... 158 °F)
Storage temperature	-40 ... 85 °C (-40 ... 185 °F)

Mechanical specifications

Protection degree	IP67 according to EN 60529, with base
Material	
Housing	PBT

Matching system components**U-P3-RX**

Base with serial interfaces RS 232 and RS 485

U-P3-R4

Base with addressable serial Interface RS 485

U-P3-R4-V15

Base with addressable serial Interface RS 485

U-P3V4A-R4

Base with addressable serial Interface RS 485, stainless steel version

U-P6-R4

Base with addressable serial Interface RS 485

U-P6-B5

Base for INTERBUS

U-P6-B5-V

Base for INTERBUS, plug-in connection

U-P6-B6

Base for PROFIBUS DP

U-P6-B6-V15B

Base for PROFIBUS DP, plug-in connection

U-P6V4A-B6

Base for PROFIBUS DP, stainless steel version

U-P3V4A-RX

Base with serial interfaces RS 232 and RS 485, stainless steel version V4A

IPG-G4-B7-V15

DeviceNet Bus coupler for IDENT-I System P

KHD2-MTI-AB4

Remote I/O adapter