

Model Number

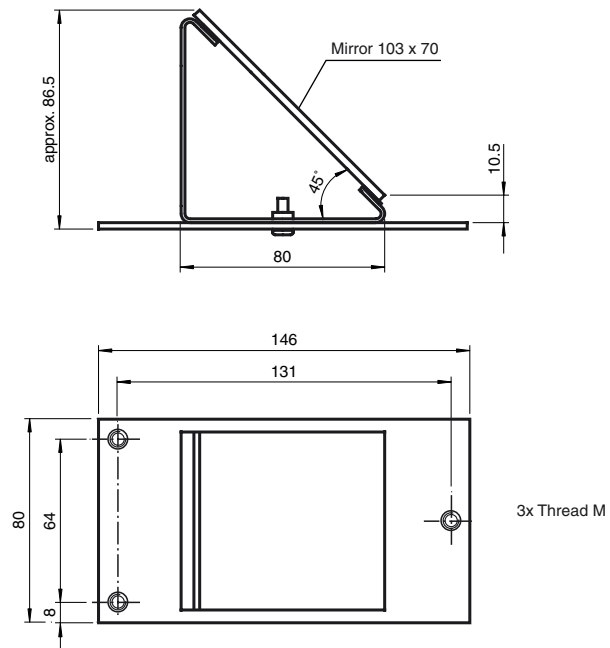
SLA-1-M

Deviation mirror

Features

- Deflecting mirror for single-beam deflection of the protection beam of safety light beams in the SL and SLA series

Dimensions



Technical data

Functional safety related parameters

Safety Integrity Level (SIL)	SIL 3
Performance level (PL)	PL e
Category	Cat. 4
Mission Time (T _M)	20 a
PFH _d	4.4 E-10

Ambient conditions

Storage temperature	-40 ... 85 °C (233 ... 358 K)
---------------------	-------------------------------

Mechanical specifications

Material	
Housing	Metal sheet (steel), black coated

Suitable series

Safety Series	SLA
---------------	-----