

Locating Pins · with ball end  
22630.0625



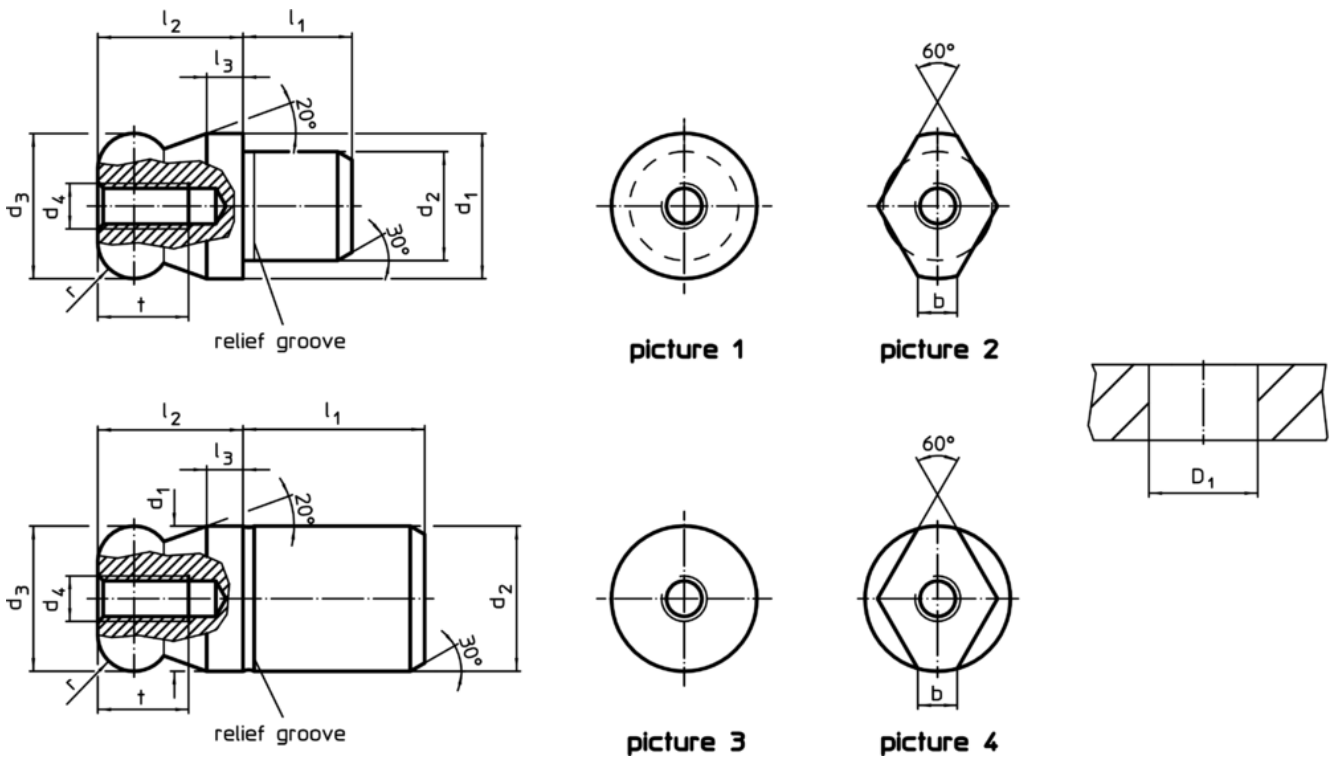
Product Description

Ball ended locating pins facilitate easy inserting and removing avoiding clamping inclination.


Material

- Tool steel, hardened, blackened and ground

Drawing



Order information

Dimensions										Location hole		Art. No.	
d <sub>1</sub>	d <sub>2</sub>	d <sub>3</sub>	d <sub>4</sub>	l <sub>1</sub>	l <sub>2</sub>	l <sub>3</sub>	t	r	b	D <sub>1</sub> H7			[g]
g6	n6	-0.01 -0.05									[mm]	[g]	
with ball end flattened, not stepped – picture 4, Tool steel													
25	25	25	M5	25	25	6	10	6	5.6		25	149	22630.0625

## Application example



## Compliance

### RoHS compliant

Compliant according to Directive 2011/65/EU and Directive 2015/863

### Does not contain SVHC substances

No SVHC substances with more than 0.1% w/w contained - SVHC list [REACH] as of 10.06.2022

### Does not contain Proposition 65 substances

No Proposition 65 substances included  
<https://www.P65Warnings.ca.gov/>

### Free from Conflict Minerals

This product does not contain any substances designated as "conflict minerals" such as tantalum, tin, gold or tungsten from the Democratic Republic of Congo or adjacent countries.