

Folding Handles • rotating
24532.0018

Product Description



Material

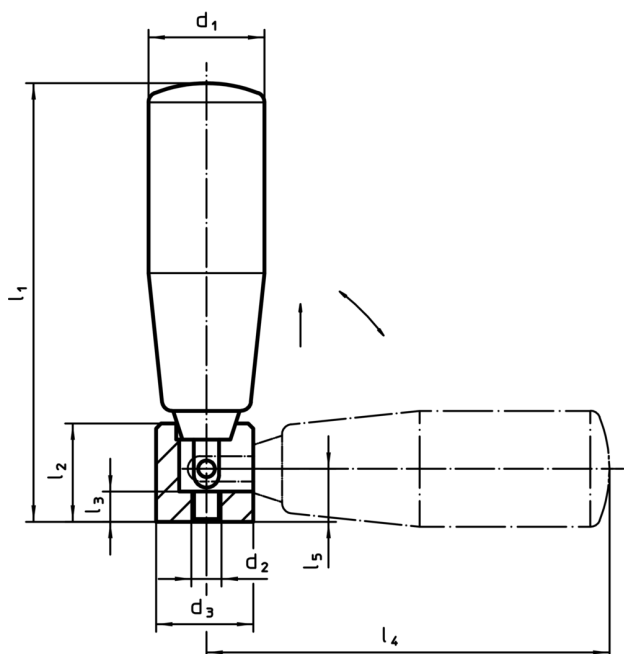
Axle part
• Steel, blackened

Handle
• Thermoplastic, black, dull

Operation

In the operating position the handle is locked.
To move the handle to the rest position, it must be pulled out axially and flipped round.

Drawing



Order information

Dimensions									max. [°C]	[g]	Art. No.
d ₁	d ₂	d ₃	l ₁ ~ [mm]	l ₂	l ₃	l ₄ ~	l ₅				
steel	18	M5	16	57	15	5	52	9.5	110	53	24532.0018

Compliance

RoHS compliant

Contains lead - compliant according to exceptions 6a / 6b / 6c

Contains SVHC substances >0,1% w/w

Contains lead - SVHC list [REACH] as of 10.06.2022

Contains Proposition 65 substances



Lead can cause cancer and reproductive harm from exposure
<https://www.P65Warnings.ca.gov/>

Free from Conflict Minerals

This product does not contain any substances designated as "conflict minerals" such as tantalum, tin, gold or tungsten from the Democratic Republic of Congo or adjacent countries.