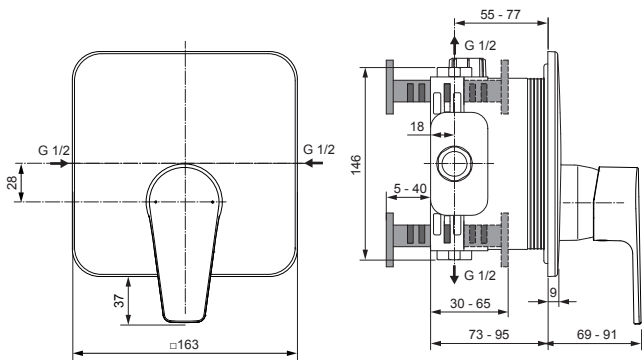
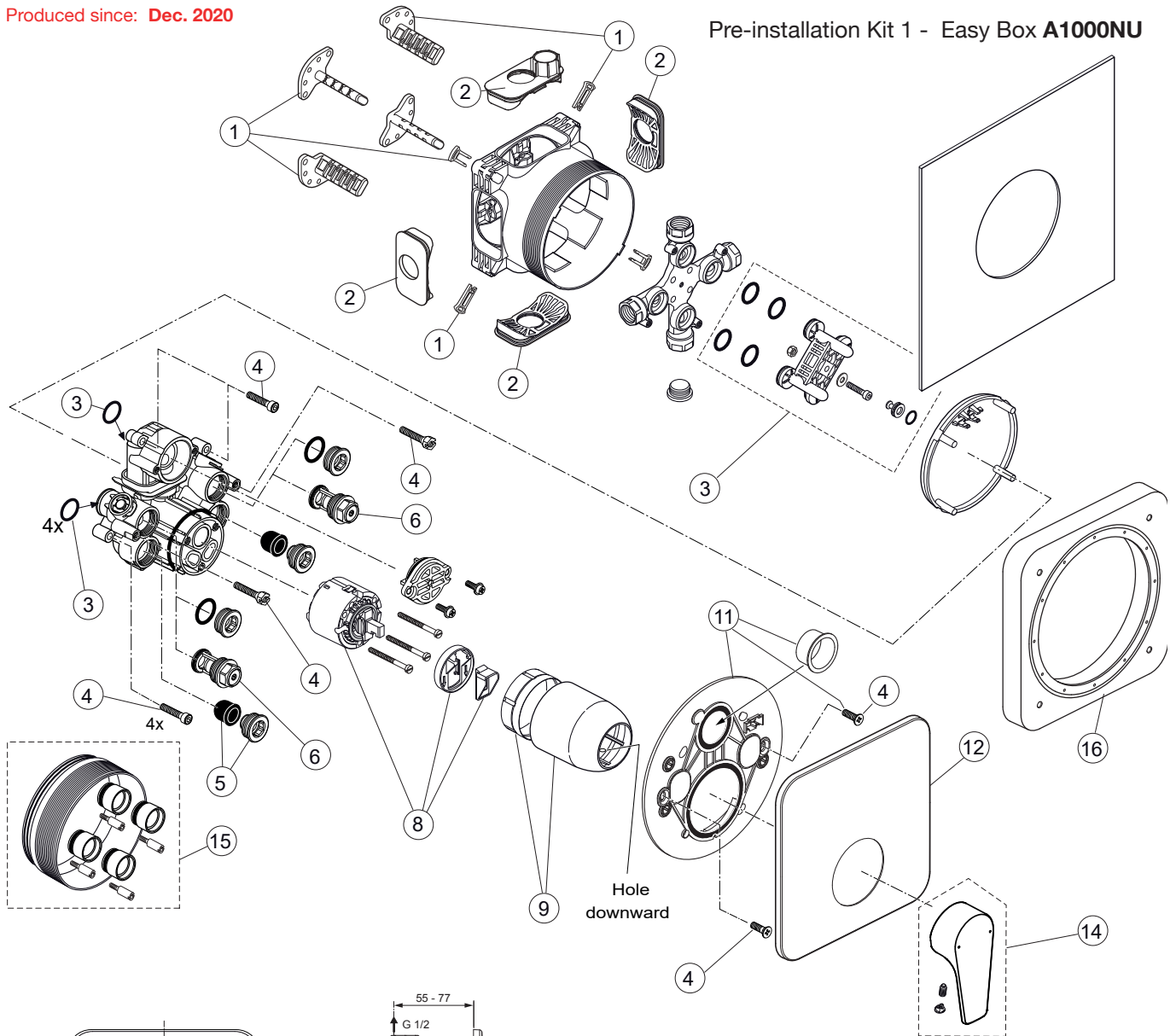


Produced since: Dec. 2020

Pre-installation Kit 1 - Easy Box A1000NU



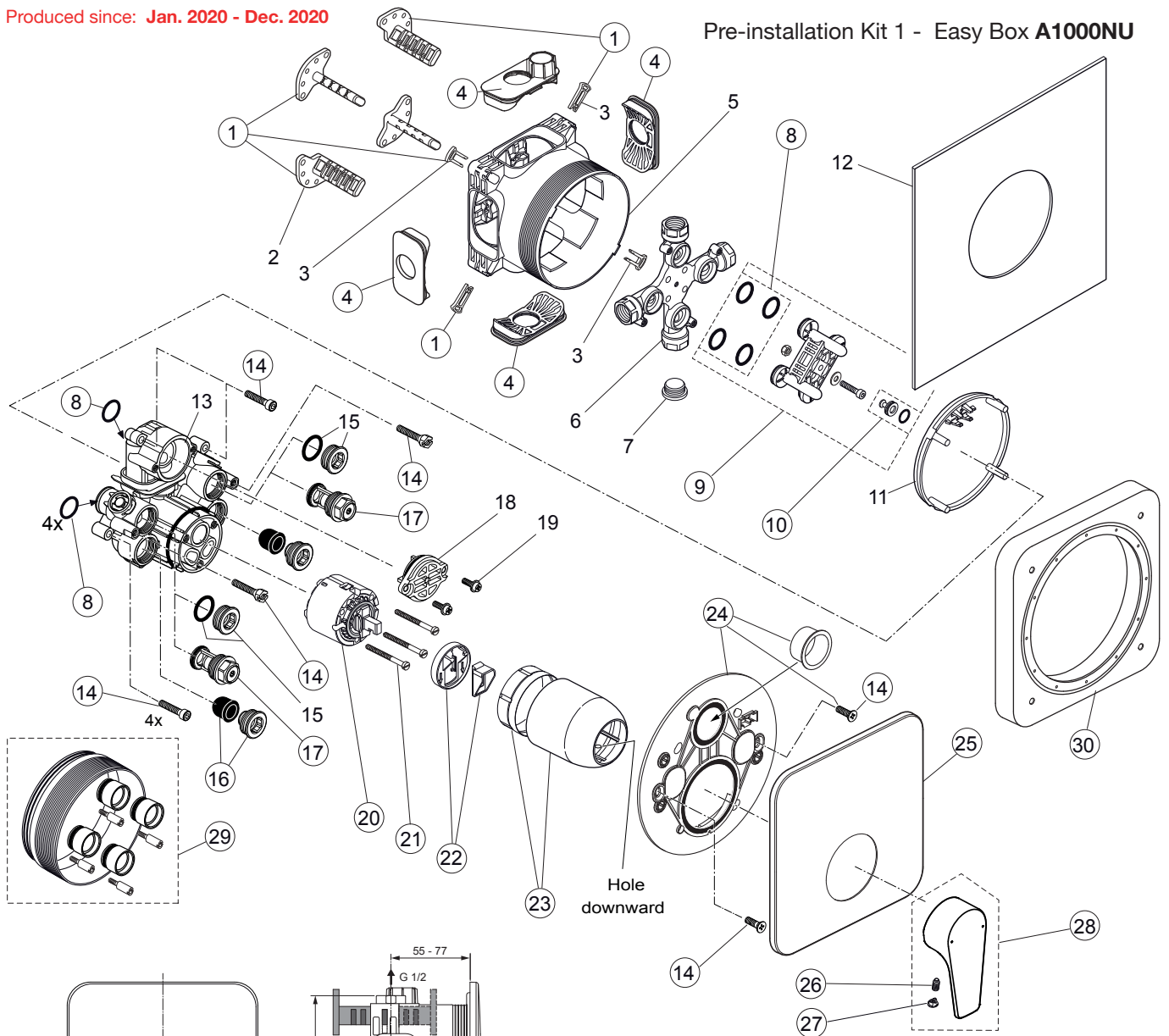
Body and Designparts Kit 2 - A7347AA

| Pos. | Description | Part-Number | Qty. | Pos. | Description | Part-Number | Qty. |
|------|---------------------------|----------------------|-------|------|--------------------|---------------------|-------|
| 1 | Install. depth adjust. | A 963 131 NU | 1 Set | 15 | Extension kit 20mm | A 960 704 NU | 1 Set |
| 2 | Side sealing | A 963 132 NU | 1 Set | | Extension kit 40mm | A 962 476 NU | 1 Set |
| 3 | Flushing device cpl. | A 963 146 NU | 1 Set | 16 | Distanzframe 20mm | A 6678 AA | 1 Set |
| 4 | Screw set complete | A 960 890 NU* | 1 Set | | | | |
| 5 | Low noise insert | A 960 891 NU | 1 pcs | | | | |
| 6 | Stop valve | A 960 706 NU | 2 pcs | | | | |
| 8 | Cartridge with ECO-kit | A 960 500 NU | 1 Set | | | | |
| 9 | Cover + clamping + O-ring | A 960 893 AA | 1 Set | | | | |
| 11 | Escutcheon holder cpl. | A 860 897 NU | 1 Set | | | | |
| 12 | Escutcheon B/S plane | A 860 898 AA | 1 pcs | | | | |
| 14 | Lever cpl. with Logo ISI | A 861 415 AA | 1 Set | | | | |

*Universal set (not all parts needed)

Produced since: Jan. 2020 - Dec. 2020

Pre-installation Kit 1 - Easy Box A1000NU



Body and Designparts Kit 2 - A7347AA

| Pos. | Description | Part-Number | Qty. | Pos. | Description | Part-Number | Qty. |
|------|---|----------------------|-------|------|---------------------------|---------------------|-------|
| 1 | Install. depth adjust. + pos.3 | A 963 131 NU | 1 Set | 17 | Stop valve | A 960 706 NU | 2 pcs |
| 2 | Depth adjustment device | | | 18 | Front cover with o-ring | | |
| 3 | Adjustment lock (contained in pos. 1) | | | 19 | Screw M4x12 | | |
| 4 | Side sealing | A 963 132 NU | 1 Set | 20 | Cartridge with pos.22 | A 960 500 NU | 1 Set |
| 5 | Built-in box | | | 21 | Cylindrical screw M4x41,7 | A 963 335 NU | 3 pcs |
| 6 | Multi-way body | | | 22 | ECO-kit | A 860 700 NU | 1 Set |
| 7 | Plug G1/2 | | | 23 | Cover + clamping + O-ring | A 960 893 AA | 1 Set |
| 8 | O-ring Ø 17 x 2,5 | A 963 143 NU | 1 Set | 24 | Escutcheon holder cpl. | A 860 897 NU | 1 Set |
| 9 | Flushing device cpl. | A 963 146 NU | 1 Set | 25 | Escutcheon B/S plane | A 860 898 AA | 1 pcs |
| 10 | Plug with o-ring Ø 12x1,5 | A 963 147 NU | 1 Set | 26 | Thread pin M5x10 DIN915 | A 963 309 NU | 1 pcs |
| 11 | Cover for built-in box | | | 27 | Cap for handle | B 960 473 AA | 1 pcs |
| 12 | Sealing fleece | | | 28 | Lever cpl. with Logo ISI | A 861 415 AA | 1 Set |
| 13 | Body Single lever | | | 29 | Extension kit 20mm | A 960 704 NU | 1 Set |
| 14 | Screw set complete | A 960 890 NU* | 1 Set | | Extension kit 40mm | A 962 476 NU | 1 Set |
| 15 | Plug with o-ring | | | 30 | Distanzframe 20mm | A 6678 AA | 1 Set |
| 16 | Low noise insert | A 960 891 NU | 1 pcs | | | | |

*Universal set (not all parts needed)