



Product Change Notification



Product Group: DBR/Tue Sep 28, 2021/PCN-DBR-00009-2021-REV-0

Change in taping pitch of AC05-CS Axial Fusible Wirewound Safety Resistors

DESCRIPTION OF CHANGE: Product taping pitch of AC05-CS axial products packed in ammo packing will be increased from 10 mm to 15 mm for avoiding body abrasion and lacquer damage. This change will be applicable to axial products supplied with tape distance 83 mm and 93 mm.

REASON FOR CHANGE: Improvised packing to prevent lacquer coating damage during transportation and handling. Due to the increased taping pitch, the ammo packing box dimensions will be changed. Mixed deliveries are likely during transition time depending on the available inventory.

EXPECTED INFLUENCE ON QUALITY/RELIABILITY/PERFORMANCE: Not applicable

PART NUMBERS/SERIES/FAMILIES AFFECTED: Please see materials list on the succeeding page.

VISHAY BRAND(s): Vishay Draloric

TIME SCHEDULE:

Start Shipment Date: Thu Jan 20, 2022

SAMPLE AVAILABILITY: Not applicable

PRODUCT IDENTIFICATION: Not applicable

QUALIFICATION DATA: Not applicable

This PCN is considered approved, without further notification, unless we receive specific customer concerns before Thu Oct 28, 2021 or as specified by contract.

ISSUED BY: Pavan Kulkarni, Product Marketing Engineer, Pavan.Kulkarni@vishay.com

For further information, please contact your regional Vishay office.

CONTACT INFORMATION:

Americas

Vishay Americas Inc
1122, 23rd Street
Columbus NE United States 68601
Phone: +1-402-563-6400
Fax: +1-402-563-6565

Europe

Vishay Electronic GmbH
Dr.-Felix-Zandman-Platz 1
Selb Germany D-95100
Phone: +49-9287-712122
Fax: +49-9287-712496

Asia

Vishay Intertechnology Asia Pte Ltd
37A Tampines Street 92
Singapore Singapore 528886
Phone: 65-788-6688
Fax: 65-788-0988

Vishay Intertechnology, Inc.

Corporate Headquarters 63 Lincoln Highway, Malvern, PA 19355-2143 U.S.A. Phone (610) 644-1300 Fax (610) 296-0657 www.vishay.com

ONE OF THE WORLD'S LARGEST MANUFACTURERS OF DISCRETE SEMICONDUCTORS AND PASSIVE COMPONENT



Product Change Notification



Product Group: DBR/Tue Sep 28, 2021/PCN-DBR-00009-2021-REV-0

AC0500004708J6BCS	AC050000A1009J6BCS	AC050000B1000J6BCS	AC050000B2209J6BCS	AC050000B3309J6BCS
AC050000B3909J6BCS	AC050000B4709J6BCS	AC050000B5009J6BCS	AC050000B5609J6BCS	AC050000B6809J6BCS
AC050000B7509J6BCS	AC050000B8209J6BCS	AC050000A1009J6FCS	AC050000B2209J6FCS	AC050000B3309J6FCS

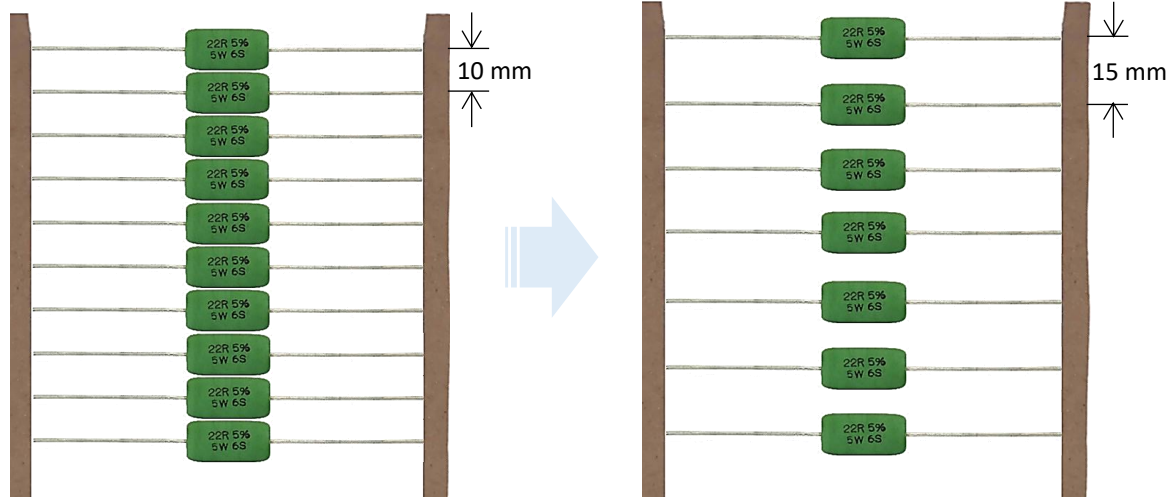
Vishay Intertechnology, Inc.

Corporate Headquarters 63 Lincoln Highway, Malvern, PA 19355-2143 U.S.A. Phone (610) 644-1300 Fax (610) 296-0657 www.vishay.com

ONE OF THE WORLD'S LARGEST MANUFACTURERS OF DISCRETE SEMICONDUCTORS AND PASSIVE COMPONENT



Expected Change in taping pitch of AC05-CS Axial products



Present product arrangement in ammo pack for AC05-CS with 10 mm taping pitch- tape distance 83 mm and 93mm

Proposed product arrangement in ammo pack for AC05-CS with 15 mm taping pitch-tape distance 83 mm and 93mm

Due to the increased pitch, the ammo packing box dimensions will be changed as below:

Sr.	AC05-CS tape distance	Packing quantity	Packing Code	Existing ammo box dimensions (with 10 mm taping pitch) M x N x P	Proposed ammo box dimensions (with 15 mm taping pitch) M x N x P
1.	83 mm	250 pcs	6B	110 x 87 x 325 mm	110 x 120 x 270 mm
2.	93 mm	250 pcs	6F	120 x 87 x 325 mm	120 x 120 x 270 mm

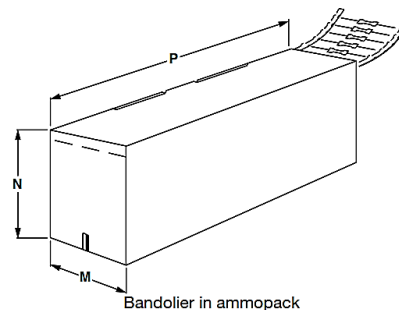
There will be no change in the part number or packing code.

PRESENT / FUTURE PART NUMBER

AC050000XXXXXJ6BCS

AC050000XXXXXJ6FCS

DIMENSIONS OF AMMOPACK



Bandolier in ammopack