


PCN	Product Change Notification	De-23-02-0666	
Product	All ERNI Products	Date of Publication:	
		26.01.2023	

Title: Chang of IDs, redactional change of drawings and change of visible article number on products

Type of Notification: minor (B) change

Type of Change:

- Design
- Material
- Other
- Packing / Shipping / Labeling
- Product Marketing
- Product termination
- Production location
- Production process
- Specification
- Test / Testing

Effective date:

07.03.2023

Originator: Thomas Oberschelp/BEE/Technik/EE/de/ERNI , +49 7166 50-

Reason and description of change:

As part of the integration process of Company ERNI into TE Connectivity we need to change article numbers, drawings and printing / laser marking on products.

1. Change of ERNI article number (ID)

1.1 Adding "-E" / "-ER"

As sales department already had informed in 2022 all our article numbers will generally be changed by adding "-E" at the end. For some article numbers it is necessary to add "-ER" instead of "-E":

Old ID	New ID
454596	454596-ER
454600	454600-ER
454645	454645-ER
454745	454745-ER
454840	454840-ER

1.2. Original TE article number

In the past company ERNI has bought products from TE. These products are listed in our ERNI system with an ERNI article number. Due to the Integration into TE Systems these ERNI article numbers are obsolete. These article numbers will be replaced by the original ones from TE. Affected article numbers are listed in the attached excel file.

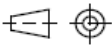

2. Change of Drawings

We will revise all our drawings in a redactional way. This includes

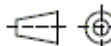

- the substitution of the ERNI Logo by the TE Logo
- change into New ID by adding the "-E" to all our article numbers
- adding the "-E" to all our drawing numbers
- adding "C-" before the drawing number (this is the identifier for a customer drawing)
- adding "ERNI-" before the name of the product in the drawing head
- generally, other texts that contain "ERNI" have been removed from the drawing or "ERNI" has been replaced by "TE"

For an example these changes are shown by the MicroBridge Drawing 504404:

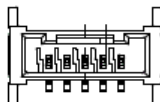
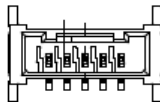
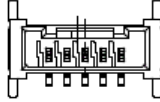
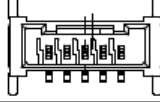
Drawing Head old:

Dimension no.		Tolerances ISO 2768-FH ISO 8015		 All Dimensions in mm	Scale 5:1	Material		
<u>Customer drawing:</u> All rights reserved. Only for Information. To ensure that this is the latest version of this drawing, please contact one of the ERNI companies before using.		Subject to modification without prior notice. Drawing will not be updated.		MicroBridge Male Straight SMT 05-pin				
e		14.09.2020			ERNI International AG Zürichstrasse 72 8306 Brüttisellen - Zürich Switzerland		504404	
Index		Date						
				Class MCBP				

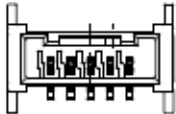
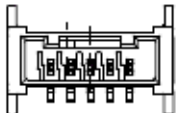
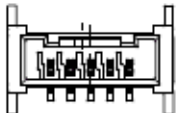
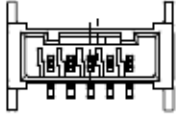
Drawing Head new:

Dimension no.		Tolerances ISO 2768-FH ISO 8015		 All Dimensions in mm	Scale 5:1	Material		
<u>Customer drawing:</u> THIS DRAWING IS A CONTROLLED DOCUMENT.		Subject to modification without prior notice. Drawing will not be updated.		ERNI-MicroBridge Male Straight SMT 05-pin				
e		14.09.2020			C-504404-E		1 A2	
Index		Date						
				Class MCBP				

Article numbers old (old ID):

504408		rot <i>red</i>	1,5	
504407		grün <i>green</i>	1,5	
504406		blau <i>blue</i>	0,5	
504405		schwarz <i>black</i>	0,5	
Ident-Nr. <i>part-no.</i>	Codierung <i>coding</i>	Farbe <i>colour</i>	A	Bemerkung <i>remark</i>

Article numbers new (New ID):

504408-E		rot <i>red</i>	1,5	
504407-E		grün <i>green</i>	1,5	
504406-E		blau <i>blue</i>	0,5	
504405-E		schwarz <i>black</i>	0,5	
Ident-Nr. <i>part-no.</i>	Codierung <i>coding</i>	Farbe <i>colour</i>	A	Bemerkung <i>remark</i>

As these changes on the drawings do not contain any change in form fit or function, we will not change the revision of the drawings.

3. Change of printing / laser marking on products

Products, where the 6 digit article number already is visible or where it is hidden for incidence in a data matrix code by printing or laser marking, we will change into the new ID when it is technically and geometrically possible.

Laser marked or printed ERNI-Logos on products will be replaced by TE-Logo if technically possible. We will not change ERNI Logos that are produced by a geometry in a molding tool !

This change over all affected ERNI products will be processed over a longer period so after the effective date, march 7th 2023, there will still be shipments with products with old printed or laser marked article number or ERNI Logo.

This change will not affect reliability of product and has no impact on form, fit or function of these products.

Products Affected / Types

Part.-No:

Reference Documents available at :

<http://www.erni.com>

Additional information, samples etc., on request

PCN Revision History:

Date of Revision:	Revision Number:	Reason:
-------------------	------------------	---------

