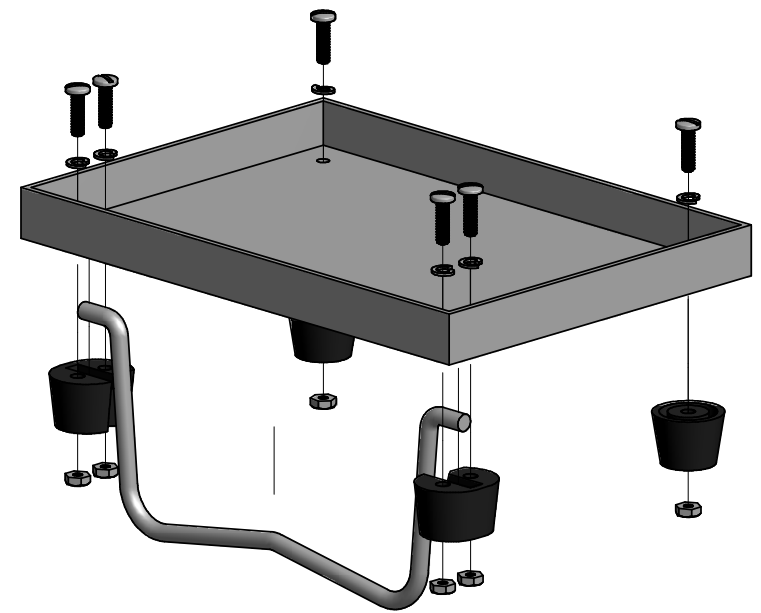
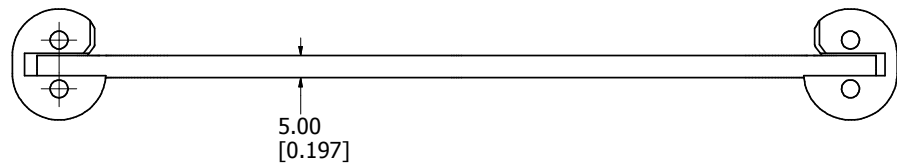
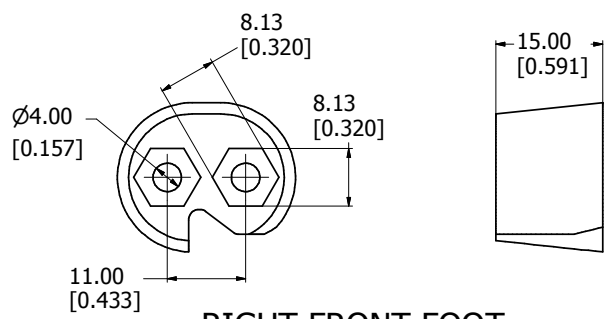


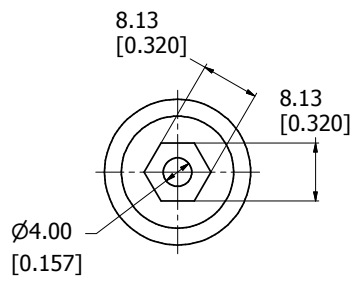
BAIL WITH FRONT FEET



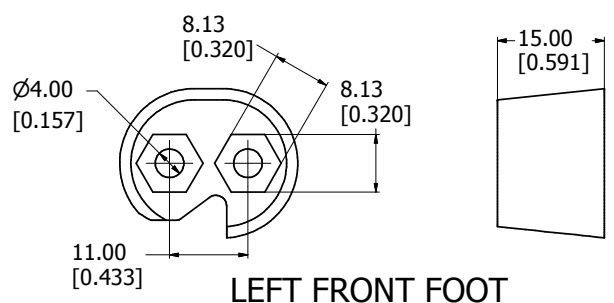
EXPLODED BAIL ASSEMBLY (BOX NOT INCLUDED)



RIGHT FRONT FOOT



BACK FOOT



LEFT FRONT FOOT

1427D7
Bail - Bright Chrome Plated Steel
Feet - Matte Black Plastic
Hardware
6 Screws - Panhead 6-32 x 1/2"
6 Nuts - #6-32 Hex Nut
6 Washers - #6 Lock-Washer
**note bail sold singly



HAMMOND
MANUFACTURING™

1427D7