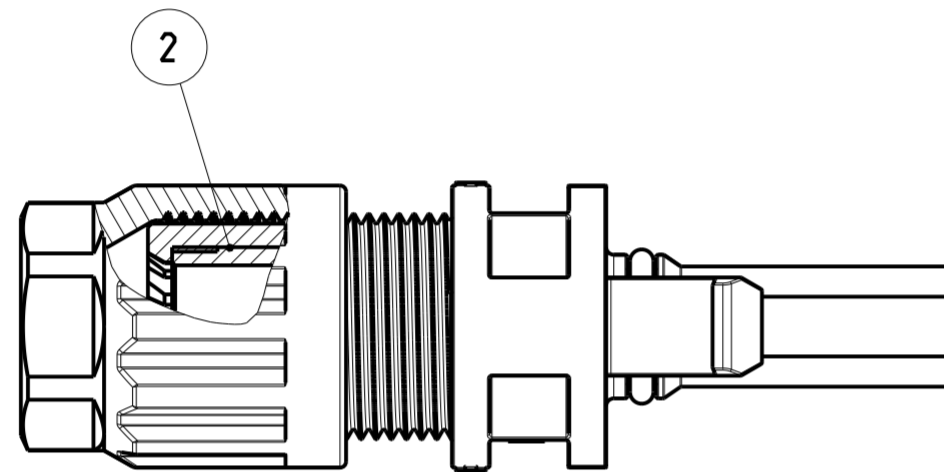
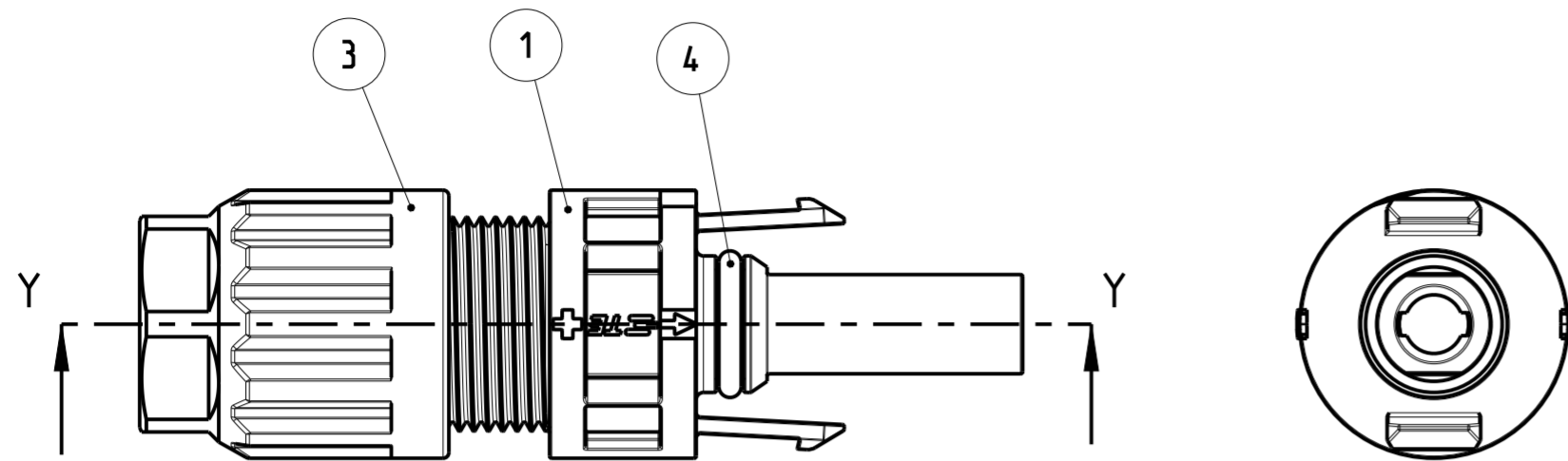
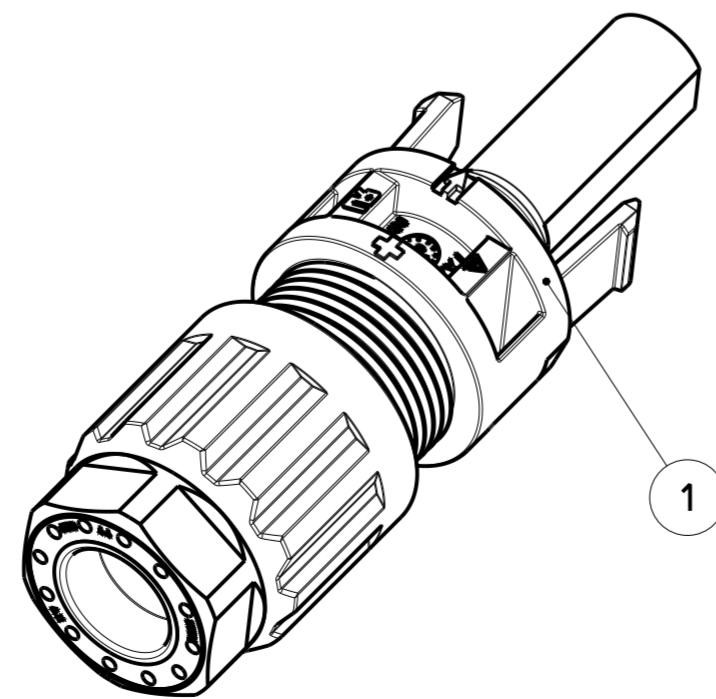
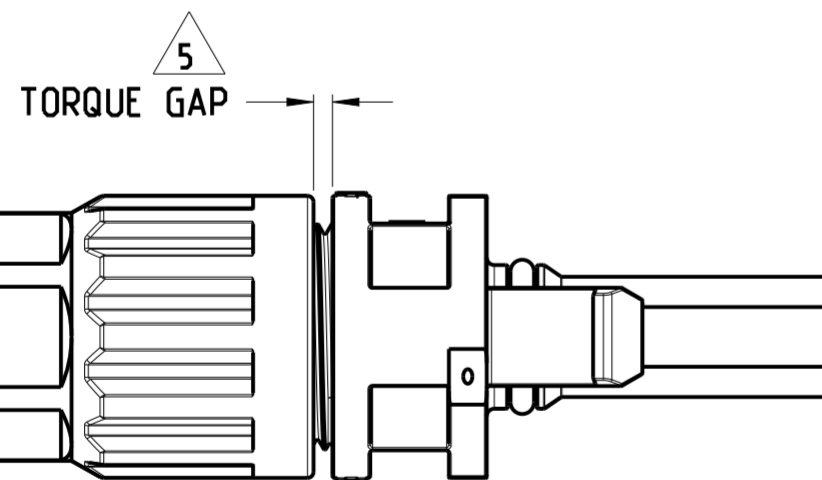


THIS DRAWING IS UNPUBLISHED. RELEASED FOR PUBLICATION 2012
 © COPYRIGHT 2012 TE CONNECTIVITY ALL RIGHTS RESERVED.

LOC		DIST		REVISIONS			
P	LTR	DESCRIPTION	DATE	DWN	APVD		
A2		ECR-12-016601	18OCT2012	CW	PY		
A3		ECR-13-013865	04SEP2013	CW	PY		
A4		NOTE No.5 IS ADDED	17APR2014	KR	TD		
A5		ECR-14-017210	18NOV2014	KR	TD		



SECTION Y-Y



- 1 SOCKET HOUSING PREASSEMBLED (ITEM NO.1) AND PINCH RING SEAL ASSY (ITEM NO.2) PREASSEMBLED WITH CABLE SCREW JOINT (ITEM NO.3). CABLE SCREW JOINT (ITEM NO.3) SCREWED WITH 2-3 TURNS ON SOCKET HOUSING PREASSEMBLED (ITEM NO.1).
- 2 O-RING (ITEM NO.4) ASSEMBLED ON SOCKET HOUSING PREASSEMBLED (ITEM NO.1)
- 3 FOR CABLE DIAMETER 6.0mm to 7.8mm(NOMINAL VALUE)
- 4 FOR CABLE DIAMETER 5.5mm to 6.0mm(NOMINAL VALUE)
- 5 THE CABLE SCREW JOINT TORQUE GAP SHOULD BE 1.25mm±0.35 AFTER THE FINAL ASSEMBLY. FOR THE CONNECTOR WITH CABLE OUTER DIA. 6.35mm PN 1983821-1 AND CABLE OUTER DIA. 6.40mm PN 1983530-1.

-1 AS SHOWN

		1	10	100	1000	PACKAGING QTY			
4-1971915-2	4-1971915-1								
-	-	-	-	-	-	-	-	O-RING(BLUE)	2
1	1	1	1	1	1	1	1	O-RING(RED)	2
1	1	1	1	1	1	1	1	CABLE SCREW JOINT	1
1	-	1	-	1	-	1	-	PINCH RING SEAL.ASSY	1 4
-	1	-	1	-	1	-	1	PINCH RING SEAL.ASSY	1 3
1	1	1	1	1	1	1	1	SOCKET HOUSING PREASSEMBLED	1
QUANTITY								DESCRIPTION	ITEM

THIS DRAWING IS A CONTROLLED DOCUMENT.

DWN CHRIS WANG 15MAY2012
 CHK ROJAY CHEN 15MAY2012
 APVD PETER YIN 15MAY2012

TE Connectivity

NAME SOCKET CONNECTOR PREASSEMBLED (FEMALE)
 SOLARLOK PV4 CONNECTOR

PRODUCT SPEC 108-106078
 APPLICATION SPEC 114-106078

SIZE A2 CAGE CODE 00779 DRAWING NO C-1971915 RESTRICTED TO -

Customer Drawing SCALE 2:1 SHEET 1 OF 1 REV A5