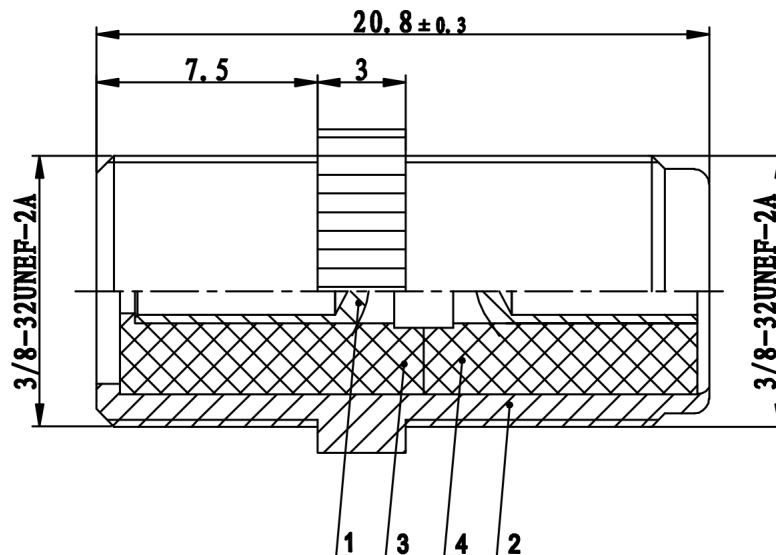


Straight F Coaxial Adaptor multicomp^{PRO}

RoHS
Compliant



The F-75KK is a Straight F Coaxial Adaptor with female to female connection and nickel-plated brass body.

Key performance

1. Characteristic Impedance : 50Ω
2. Frequency Range : DC-1GHz
3. Contact Resistance:
 - Center Conductor : ≤ 6mΩ
 - Out Conductor : ≤ 1mΩ
4. Insulation Resistance : ≥5000 MΩ
5. Dielectric withstanding voltage : 750V
6. Durability : 500 cycles

No.	Description	Q'ty	Material	Plating
1	Center Contact	1	BeCu	Gold
2	Body	1	Brass	Nickel
3	Insulator	1	Teflon	
4	Insulator	1	Teflon	

Part Number Table

Description	Part Number
Adaptor, F Jack, F Jack, 75Ohm, Straight	MP007941

Important Notice : This data sheet and its contents (the "Information") belong to the members of the AVNET group of companies (the "Group") or are licensed to it. No licence is granted for the use of it other than for information purposes in connection with the products to which it relates. No licence of any intellectual property rights is granted. The Information is subject to change without notice and replaces all data sheets previously supplied. The Information supplied is believed to be accurate but the Group assumes no responsibility for its accuracy or completeness, any error in or omission from it or for any use made of it. Users of this data sheet should check for themselves the Information and the suitability of the products for their purpose and not make any assumptions based on information included or omitted. Liability for loss or damage resulting from any reliance on the Information or use of it (including liability resulting from negligence or where the Group was aware of the possibility of such loss or damage arising) is excluded. This will not operate to limit or restrict the Group's liability for death or personal injury resulting from its negligence. Multicomp Pro is the registered trademark of Premier Farnell Limited 2019.

Newark.com/multicomp-pro
Farnell.com/multicomp-pro
Element14.com/multicomp-pro

multicomp^{PRO}