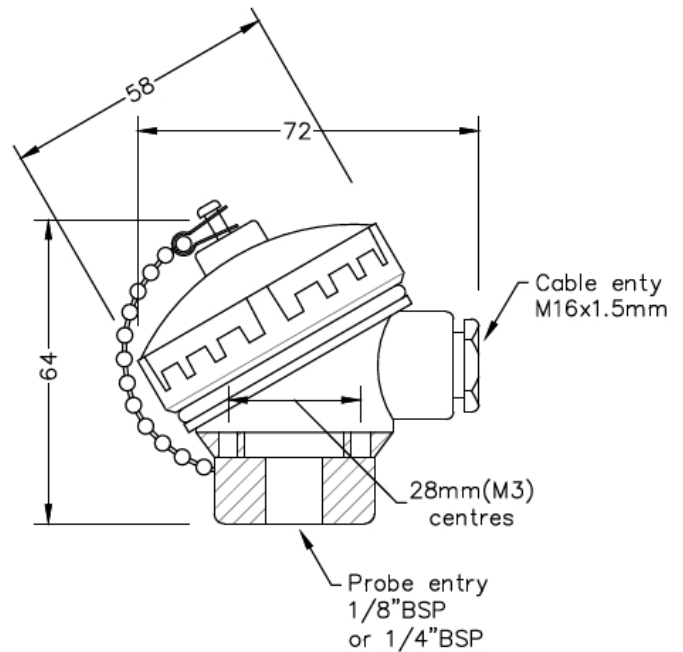


## KNS Miniature Terminal Heads



<b>Product Code</b>	XF-1954-FAR
<b>Head Type</b>	KNS Miniature Terminal Heads
<b>Material</b>	Aluminium
<b>Cable Entry</b>	M16 x 1.5mm
<b>Fixing (Centres)</b>	28mm
<b>Max. Temperature</b>	170°C
<b>IP Rating</b>	IP67 rated
<b>Process Entry</b>	1/4", 1/8" BSP
<b>Cap Retaining Type</b>	Screw cap and retaining chain