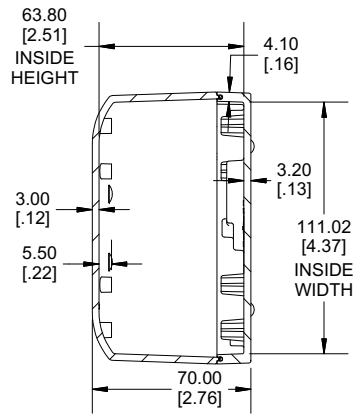
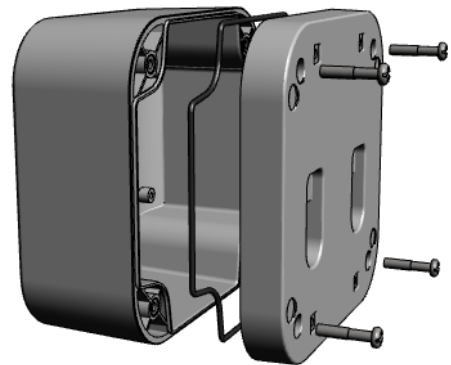


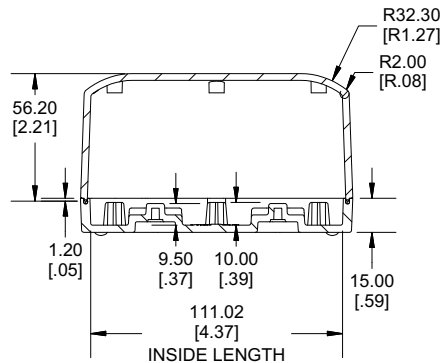
**TOP VIEW**



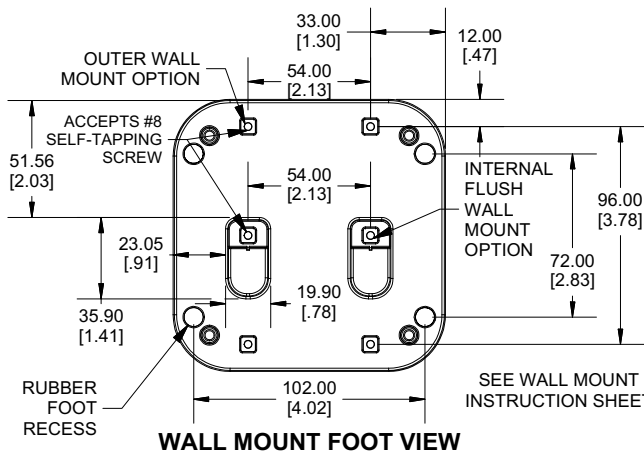
**SECTION A-A  
END VIEW**



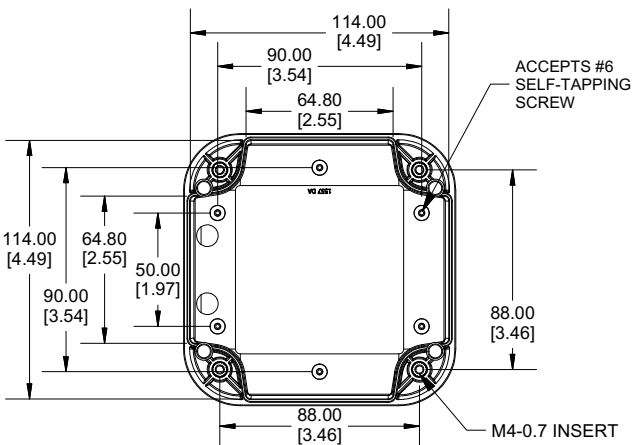
POLYCARBONATE  
VERSION ONLY



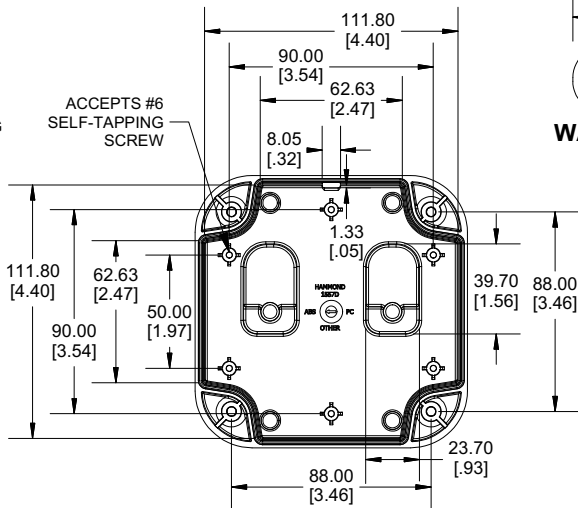
**SECTION B-B  
SIDE VIEW**



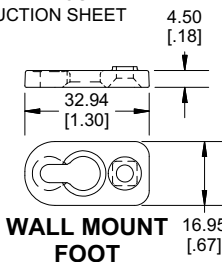
**WALL MOUNT FOOT VIEW**



**INSIDE LID**



**INSIDE BOX**



**WALL MOUNT  
FOOT**

Enclosures can be Factory Modified (Milling, Drilling, Printing etc.)  
Contact Factory ([modshop@hammfg.com](mailto:modshop@hammfg.com)) for quotes  
Solid models of this enclosure available in .stp or .x\_t.  
(Part number and text placement/orientation on our products are subject to change,  
we do not recommend using them as a locating reference for modification purposes)

**NOTE**

Purchased assembly includes box, lid, 4 cover screws, preformed silicone gasket, 4 rubber feet, 4 wall mount foot screws, and 4 wall mount feet.  
General Purpose ABS version is not UL approved. (Matl UL94 - HB)  
Polycarbonate version is UL 508A approved. (Matl UL94 - 5VA @ 3mm)

**Recommended Cover Screw Torque - 71-85 ozf-in ( 50-60 cN-m)**

1557		
1557DA Enclosure		
General Purpose ABS Black Enclosure		1557DABK
General Purpose ABS Grey Enclosure		1557DAGY
Polycarbonate Black Enclosure		1557DA2BK
Polycarbonate Grey Enclosure		1557DA2GY
ACCESSORIES		
Silicone Pre-formed Gasket Black (Pkg 2)		1557DGASKET
Clear Rubber Feet (Pkg 24)		1421T6CL
Stainless Steel Cover Screws [M4-0.7 X20mm] (Pkg 50)		SC576-50
Steel P.C.Board Screw [#6 X 1/4" Self Tapping] (Pkg 50)		SC526-50
Stainless Steel Wall Mount foot Screw [#8 X 3/8" Self Tapping] (Pkg 50)		SC556-50
Wall Mout Foot Kit [wall mount foot ] (Pkg 24)	General Purpose ABS Grey	1557FOOTGY-24
[#8 X 3/8" Self Tapping] (Pkg 24)	General Purpose ABS Black	1557FOOTBK-24
	POLYCARBONATE Grey	1557FOOT2GY-24
	POLYCARBONATE Black	1557FOOT2BK-24

**Dimensions:**  
mm  
[inches]

**1557DA**  
[www.hammondmfg.com](http://www.hammondmfg.com)