



Axicom | Axicom Card Relay SN

TE Internal #: 2-1393802-1

Axicom Card Relay SN, Signal Relays, 250VDC Contact Voltage Rating, 250VAC Contact Voltage Rating, 789mW Signal Relay Coil Power Rating (DC)

[View on TE.com >](#)

Relays, Contactors & Switches > Relays > Signal Relays > Signal Relay: Low profile, Monostable DC



Contact Voltage Rating: **250 VAC**

Signal Relay Coil Power Rating (DC): **789 mW**

Signal Relay Mounting Type: **Printed Circuit Board**

Signal Relay Terminal Type: **PCB-THT**

[All Signal Relay: Low profile, Monostable DC \(33\)](#)

## Features

### Product Type Features

Relay Type	Card SN Relay V23030
Relay Style	Card SN
Product Type	Relay

### Electrical Characteristics

Coil Power Rating Class	600 – 800 mW
Actuating System	DC
Input Voltage	250 VDC
Insulation Initial Dielectric Between Open Contacts	1000 Vrms
Contact Limiting Short-Time Current	1 A
Insulation Initial Dielectric Between Contacts and Coil	1000 Vrms
Insulation Initial Dielectric Between Coil/Contact Class	500 – 1000 V
Power Consumption	800 mW
Insulation Initial Resistance	1000 MΩ
Contact Limiting Making Current	3 A
Coil Resistance	730 Ω
Contact Limiting Continuous Current	2 A
Coil Type	Monostable
Contact Limiting Breaking Current	3 A



Contact Voltage Rating	250 VAC
Signal Relay Coil Power Rating (DC)	789 mW
Signal Relay Coil Voltage Rating	24 VAC
Signal Relay Contact Switching Voltage (Max)	250 VAC
Signal Relay Coil Magnetic System	Monostable, DC

### Body Features

Weight	30 g[1.058 oz]
--------	----------------

### Contact Features

Contact Plating Material	Gold Flash
Contact Current Class	0 – 2 A
Contact Special Features	Bifurcated/Twin Contacts
Signal Relay Terminal Type	PCB-THT
Signal Relay Contact Current Rating	2 A
Signal Relay Contact Arrangement	6 Form C (6 CO)
Contact Material	Gold F
Contact Number of Poles	6

### Termination Features

Termination Type	Through Hole
------------------	--------------

### Mechanical Attachment

Signal Relay Mounting Type	Printed Circuit Board
----------------------------	-----------------------

### Dimensions

Width Class (Mechanical)	30 – 40 mm
Width	37.9 mm[1.295 in]
Height	10.8 mm[.425 in]
Length Class (Mechanical)	40 – 50 mm
Height Class (Mechanical)	10 – 11 mm
Length	40.2 mm[1.583 in]
Dimensions (L x W x H) (Approximate)	40.2 x 37.9 x 10.8 mm

### Usage Conditions

Environmental Ambient Temperature (Max)	70 °C[110 °F]
Environmental Ambient Temperature Class	50 – 70°C
Operating Temperature Range	-40 – 70 °C



**Operation/Application**

Performance Type	Standard
------------------	----------

**Packaging Features**

Packaging Method	Box & Carton
------------------	--------------

**Product Compliance**

[For compliance documentation, visit the product page on TE.com>](#)

EU RoHS Directive 2011/65/EU	Compliant
EU ELV Directive 2000/53/EC	Compliant
China RoHS 2 Directive MIIT Order No 32, 2016	No Restricted Materials Above Threshold
EU REACH Regulation (EC) No. 1907/2006	Current ECHA Candidate List: JAN 2021 (211) Candidate List Declared Against: JAN 2021 (211) Does not contain REACH SVHC
Halogen Content	Low Halogen - Br, Cl, F, I < 900 ppm per homogenous material. Also BFR/CFR/PVC Free
Solder Process Capability	Wave solder capable to 265°C

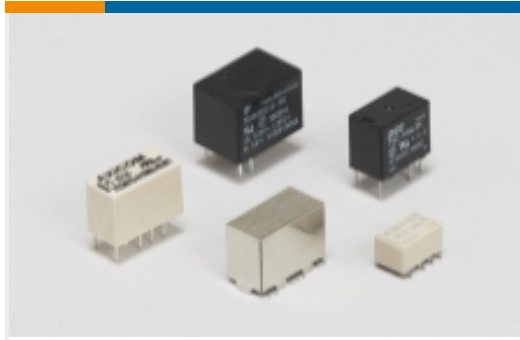
Product Compliance Disclaimer

This information is provided based on reasonable inquiry of our suppliers and represents our current actual knowledge based on the information they provided. This information is subject to change. The part numbers that TE has identified as EU RoHS compliant have a maximum concentration of 0.1% by weight in homogenous materials for lead, hexavalent chromium, mercury, PBB, PBDE, DBP, BBP, DEHP, DIBP, and 0.01% for cadmium, or qualify for an exemption to these limits as defined in the Annexes of Directive 2011/65/EU (RoHS2). Finished electrical and electronic equipment products will be CE marked as required by Directive 2011/65/EU. Components may not be CE marked. Additionally, the part numbers that TE has identified as EU ELV compliant have a maximum concentration of 0.1% by weight in homogenous materials for lead, hexavalent chromium, and mercury, and 0.01% for cadmium, or qualify for an exemption to these limits as defined in the Annexes of Directive 2000/53/EC (ELV). Regarding the REACH Regulation, the information TE provides on SVHC in articles for this part number is based on the latest European Chemicals Agency (ECHA) 'Guidance on requirements for substances in articles' posted at this URL: <https://echa.europa.eu/guidance-documents/guidance-on-reach>

**Compatible Parts**



## Also in the Series | Axicom Card Relay SN



Signal Relays(33)

## Customers Also Bought



TE Part #2-1879207-6  
RN 0603 360R 0.1% 10PPM CUT LENGTH



TE Part #207119-9  
METRIMATE PIN HDR ASY,4P LF



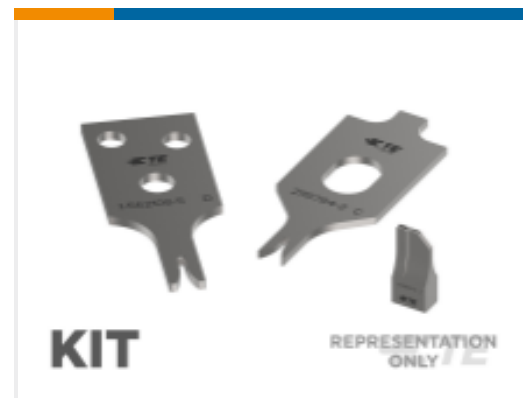
TE Part #1614353-4  
RN 0603 2K37 0.1% 10PPM CUT LENGTH



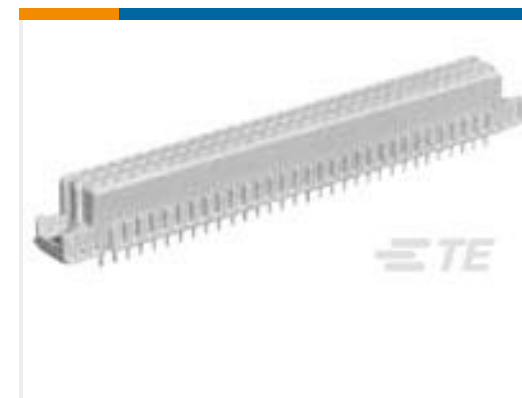
TE Part #4-338310-2  
D-Sub Plug Assembly: Standard, Vertical, Shell Size 2, 2.74mm



TE Part #5-829558-2  
MCX Connector: Male (Jack), 50 Ohm



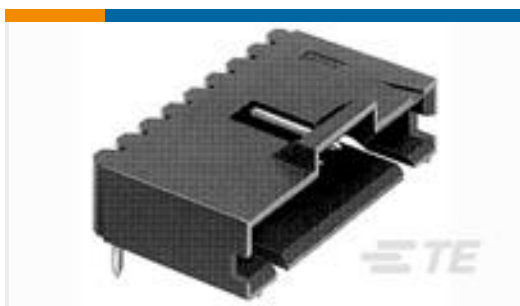
TE Part #7-2151337-7  
OCEAN\_2.0\_SPARE\_PART\_KIT-110F110Q2100



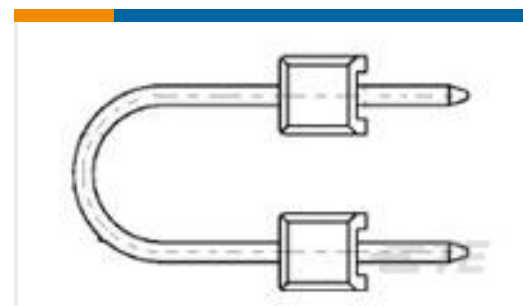
TE Part #1393640-7  
V42254B2101C480=PC612 FEDERLEI



TE Part #5-770174-0  
04P MINI-UMNL ASSY V0 SNNI BLK



TE Part #7-103635-1  
22 MTE HDR SRRA LTCH.100CL LF



TE Part #9-1740617-9  
AMP MODU II SOLDER STRAP 25POS

## Documents

[CAD Files](#)

[3D PDF](#)

[3D](#)

[Customer View Model](#)

[ENG\\_CVM\\_CVM\\_2-1393802-1\\_A.2d\\_dxf.zip](#)

[English](#)

[Customer View Model](#)



[ENG\\_CVM\\_CVM\\_2-1393802-1\\_A.3d\\_igs.zip](#)

English

**Customer View Model**

[ENG\\_CVM\\_CVM\\_2-1393802-1\\_A.3d\\_stp.zip](#)

English

By downloading the CAD file I accept and agree to the [Terms and Conditions](#) of use.

---

## Datasheets & Catalog Pages

[Industrial Relays Quick Reference Guide](#)

English

[Industrial Relays Quick Reference Guide](#)

Japanese

[Industrial Relays Quick Reference Guide](#)

---

## Product Specifications

[Product Specification](#)

English