



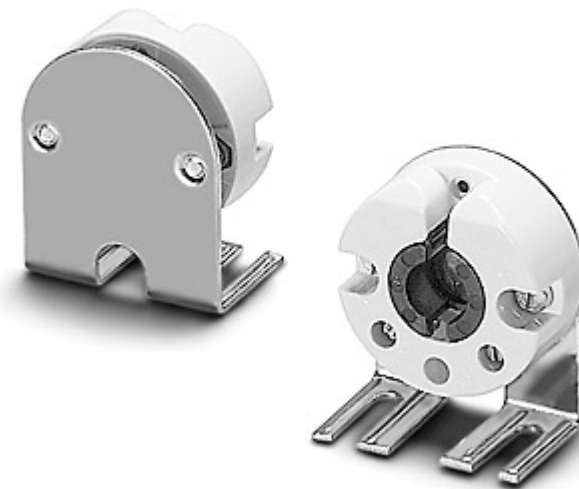
G13 Lampholders

Type: 48502

Item number: 101791

Max. permissible temperature at the side of the lampholder: T_m 110 °C

Lamp base:	G13
Material:	PC
Colour:	White
Style:	Built-in lampholder, rotor with 5 rotation stops
Fixing:	Fixing bracket M4
Cut-out:	Fixing hole distance 24 mm
Starter:	No
Connection:	Screw terminal
Lamp axis [mm]:	25,0
Lampholder thickness:	15,1
T-Marking:	130
IP degree of protection:	20
Stop:	No
Nominal rating:	2/500

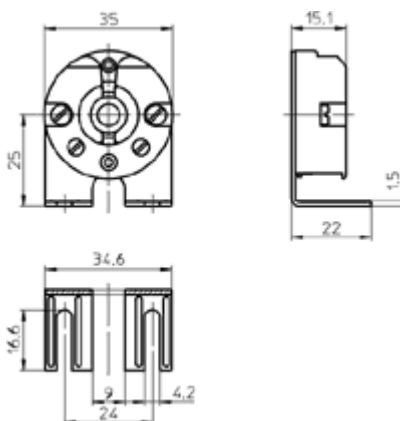


For a large drawing of **item 101791** please click on the thumbnail-picture:

Unit: 500 pcs.

Zinc-coated polished steel bracket
Type with spring adjustment see 101793

Received approvals: **VDE-ENEC**



[Print Data Sheet](#)

If you want to use all features of this site you must log on. If this is your first visit at the Vossloh Schwabe Web site please register now.

[Log In](#)

[Registration](#)

[Back](#)