

# GN 612-NI | Lever indexing plungers

Rest position, stainless steel



- 1
- 2
- 3
- 4
- 5
- 6
- 7
- 8
- 9
- 10
- 11
- 12
- 13
- 14
- 15
- 16
- 17
- 18

**1** **THREADED BODY**  
AISI 303 stainless steel.

**2** **PLUNGER**  
Turned and nickel-plated stainless steel.  
Suggested tolerance for matching hole = H7.

**3** **LOCKING NUT**  
Stainless steel.

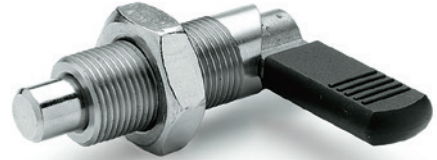
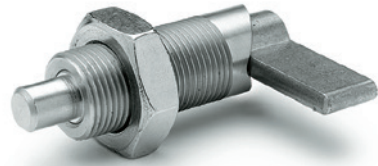
**4** **LEVER**  
Sintered AISI 316 LHC stainless steel.

**5** **LEVER COVER**  
High-resilience polyamide based (PA) technopolymer, black colour, matte finish.

**7** **STANDARD EXECUTIONS**

- **GN 612-A-NI**: without lever cover, without locking nut.
- **GN 612-AK-NI**: without lever cover, with locking nut.
- **GN 612-B-NI**: with lever cover, without locking nut.
- **GN 612-BK-NI**: with lever cover, with locking nut.

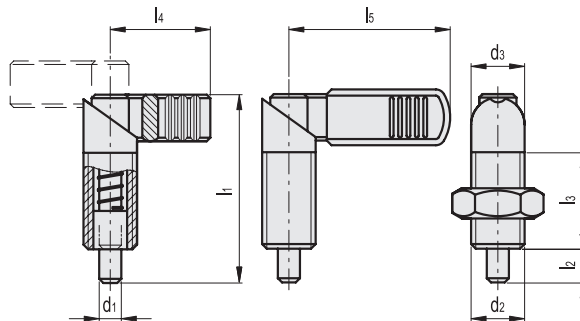
**9** **FEATURES AND APPLICATIONS**  
GN 612-NI lever indexing plungers are used when the plunger must be retracted quickly.  
By rotating the lifting lever by 180°, a notch keeps the plunger in the retracted position.



GN 612-A-NI

GN 612-B-NI

GN 612-AK-NI  
GN 612-BK-NI



Indexing and positioning elements

## GN 612-A-NI

## GN 612-AK-NI

INOX STAINLESS STEEL

Code	Description	Code	Description	d1 Plunger -0.02-0.04 Hole H7	d2	d3	l1	l2	l3+1.5	l4	[N]*	[N]#	$\Delta$
GN.34805	GN 612-4-M10-A-NI	GN.34921	GN 612-4-M10-AK-NI	4	M10	10	37.5	6	19	21	8.5	25	16
GN.34807	GN 612-4-M10x1-A-NI	GN.34923	GN 612-4-M10x1-AK-NI	4	M10x1	10	37.5	6	19	21	8.5	25	16
GN.34811	GN 612-5-M10-A-NI	GN.34925	GN 612-5-M10-AK-NI	5	M10	10	37.5	6	19	21	8.5	25	17
GN.34813	GN 612-5-M10x1-A-NI	GN.34929	GN 612-5-M10x1-AK-NI	5	M10x1	10	37.5	6	19	21	8.5	25	45
GN.34815	GN 612-5-M12-A-NI	GN.34927	GN 612-5-M12-AK-NI	5	M12	12	47	8	26	26	9	21	28
GN.34295	GN 612-5-M12x1.5-A-NI	GN.34315	GN 612-5-M12x1.5-AK-NI	5	M12x1.5	12	47	8	26	26	9	21	91
GN.34821	GN 612-6-M10-A-NI	GN.34931	GN 612-6-M10-AK-NI	6	M10	10	37.5	6	19	21	8.5	25	18
GN.34822	GN 612-6-M10x1-A-NI	GN.34933	GN 612-6-M10x1-AK-NI	6	M10x1	10	37.5	6	19	21	8.5	25	91
GN.34825	GN 612-6-M12-A-NI	GN.34934	GN 612-6-M12-AK-NI	6	M12	12	47	8	26	26	9	21	39
GN.34829	GN 612-6-M12x1.5-A-NI	GN.34938	GN 612-6-M12x1.5-AK-NI	6	M12x1.5	12	47	8	26	26	9	21	93
GN.34827	GN 612-6-M16-A-NI	GN.34936	GN 612-6-M16-AK-NI	6	M16	16	56	10	30	32	12	32	46
GN.34296	GN 612-6-M16x1.5-A-NI	GN.34316	GN 612-6-M16x1.5-AK-NI	6	M16x1.5	16	56	10	30	32	12	32	100
GN.34835	GN 612-8-M12-A-NI	GN.34941	GN 612-8-M12-AK-NI	8	M12	12	47	8	26	26	9	21	58
GN.34841	GN 612-8-M12x1.5-A-NI	GN.34947	GN 612-8-M12x1.5-AK-NI	8	M12x1.5	12	47	8	26	26	9	21	95
GN.34837	GN 612-8-M16-A-NI	GN.34943	GN 612-8-M16-AK-NI	8	M16	16	56	10	30	32	12	32	60
GN.34297	GN 612-8-M16x1.5-A-NI	GN.34317	GN 612-8-M16x1.5-AK-NI	8	M16x1.5	16	56	10	30	32	11	29	103
GN.34839	GN 612-8-M20-A-NI	GN.34945	GN 612-8-M20-AK-NI	8	M20	20	69	12	36	37	21	58	90
GN.34306	GN 612-8-M20x1.5-A-NI	GN.34326	GN 612-8-M20x1.5-AK-NI	8	M20x1.5	20	69	12	36	37	21	58	112
GN.34845	GN 612-10-M16-A-NI	GN.34951	GN 612-10-M16-AK-NI	10	M16	16	56	10	30	32	12	32	100
GN.34298	GN 612-10-M16x1.5-A-NI	GN.34318	GN 612-10-M16x1.5-AK-NI	10	M16x1.5	16	56	10	30	32	12	32	104
GN.34847	GN 612-10-M20-A-NI	GN.34953	GN 612-10-M20-AK-NI	10	M20	20	69	12	36	37	21	58	119
GN.34307	GN 612-10-M20x1.5-A-NI	GN.34327	GN 612-10-M20x1.5-AK-NI	10	M20x1.5	20	69	12	36	37	21	57	115
GN.34851	GN 612-12-M20-A-NI	GN.34955	GN 612-12-M20-AK-NI	12	M20	20	69	12	36	37	21	58	124
GN.34308	GN 612-12-M20x1.5-A-NI	GN.34328	GN 612-12-M20x1.5-AK-NI	12	M20x1.5	20	69	12	36	37	21	58	120

## GN 612-B-NI

## GN 612-BK-NI

INOX STAINLESS STEEL

Code	Description	Code	Description	d1 Plunger -0.02-0.04 Hole H7	d2	d3	l1	l2	l3+1.5	l5	[N]*	[N]#	$\Delta$
GN.34816	GN 612-5-M12-B-NI	GN.34928	GN 612-5-M12-BK-NI	5	M12	12	47	8	26	32	9	21	22
GN.34335	GN 612-5-M12x1.5-B-NI	GN.34355	GN 612-5-M12x1.5-BK-NI	5	M12x1.5	12	47	8	26	32	9	21	93
GN.34826	GN 612-6-M12-B-NI	GN.34935	GN 612-6-M12-BK-NI	6	M12	12	47	8	26	32	9	21	31
GN.34830	GN 612-6-M12x1.5-B-NI	GN.34939	GN 612-6-M12x1.5-BK-NI	6	M12x1.5	12	47	8	26	32	9	21	95
GN.34828	GN 612-6-M16-B-NI	GN.34937	GN 612-6-M16-BK-NI	6	M16	16	56	10	30	42	12	32	45
GN.34336	GN 612-6-M16x1.5-B-NI	GN.34356	GN 612-6-M16x1.5-BK-NI	6	M16x1.5	16	56	10	30	42	12	32	102
GN.34836	GN 612-8-M12-B-NI	GN.34942	GN 612-8-M12-BK-NI	8	M12	12	47	8	26	32	9	21	59
GN.34842	GN 612-8-M12x1.5-B-NI	GN.34948	GN 612-8-M12x1.5-BK-NI	8	M12x1.5	12	47	8	26	32	9	21	97
GN.34838	GN 612-8-M16-B-NI	GN.34944	GN 612-8-M16-BK-NI	8	M16	16	56	10	30	42	12	32	60
GN.34337	GN 612-8-M16x1.5-B-NI	GN.34357	GN 612-8-M16x1.5-BK-NI	8	M16x1.5	16	56	10	30	42	12	32	105
GN.34840	GN 612-8-M20-B-NI	GN.34946	GN 612-8-M20-BK-NI	8	M20	20	69	12	36	52	21	58	62
GN.34346	GN 612-8-M20x1.5-B-NI	GN.34366	GN 612-8-M20x1.5-BK-NI	8	M20x1.5	20	69	12	36	52	21	58	114
GN.34846	GN 612-10-M16-B-NI	GN.34952	GN 612-10-M16-BK-NI	10	M16	16	56	10	30	42	12	32	120
GN.34338	GN 612-10-M16x1.5-B-NI	GN.34358	GN 612-10-M16x1.5-BK-NI	10	M16x1.5	16	56	10	30	42	12	32	111
GN.34848	GN 612-10-M20-B-NI	GN.34954	GN 612-10-M20-BK-NI	10	M20	20	69	12	36	52	21	58	129
GN.34347	GN 612-10-M20x1.5-B-NI	GN.34367	GN 612-10-M20x1.5-BK-NI	10	M20x1.5	20	69	12	36	52	21	58	117
GN.34852	GN 612-12-M20-B-NI	GN.34956	GN 612-12-M20-BK-NI	12	M20	20	69	12	36	52	21	58	143
GN.34348	GN 612-12-M20x1.5-B-NI	GN.34368	GN 612-12-M20x1.5-BK-NI	12	M20x1.5	20	69	12	36	52	21	58	123

\* Spring preload

# Spring maximum load