

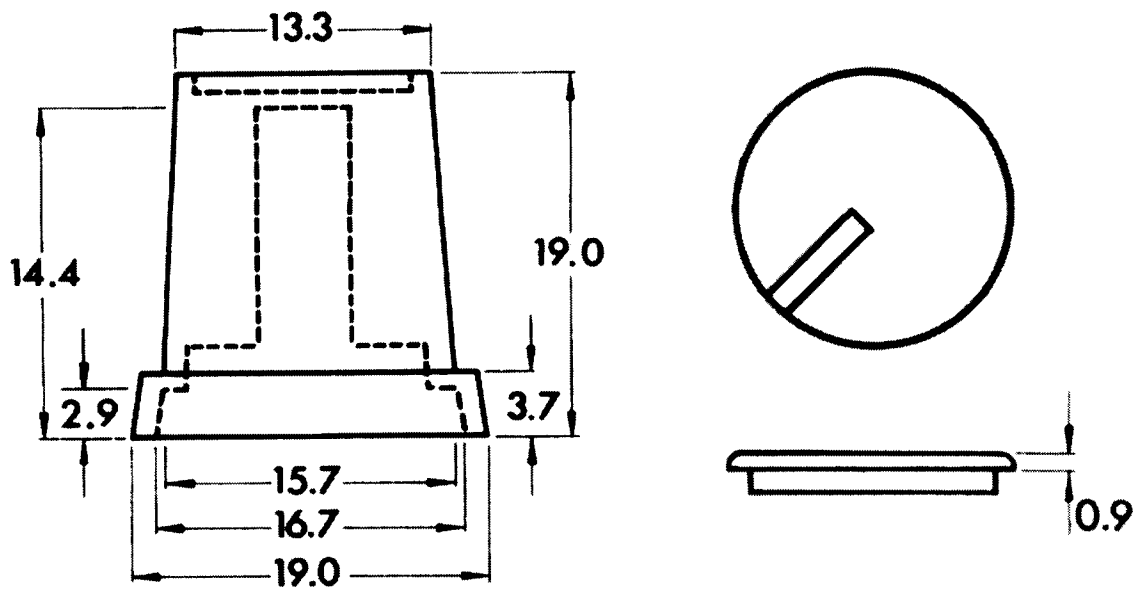
KNOBS

Order code	Manufacturer code	Description
32-0320	P861-06	19MM PUSH FIT CONTROL KNOB
32-0325	P862-03	19MM GRUB SCREW CONTROL KNOB
32-0330	Z863-21	RED CAP TO SUIT 19MM KNOB
32-0335	Z863-23	YELLOW CAP TO SUIT 19MM KNOB
32-0340	Z863-22	GREEN CAP TO SUIT 19MM KNOB
32-0345	Z863-27	GREY CAP TO SUIT 19MM KNOB
32-0350	Z863-24	BLUE CAP TO SUIT 19MM KNOB
32-0355	Z863-25	BLACK CAP TO SUIT 19MM KNOB

KNOBS	Page 1 of 2
The enclosed information is believed to be correct, Information may change 'without notice' due to product improvement. Users should ensure that the product is suitable for their use. E. & O. E.	Revision A 04/07/2003

19mm Mixer Style Control Knobs/Caps

Technical Drawing



Description

A range of 19mm skirt diameter black control knobs, available with various marker line colour caps to suit. Two types are available one designed for 6mm splined shaft and the other a grub screw fixing for 6mm shafts.