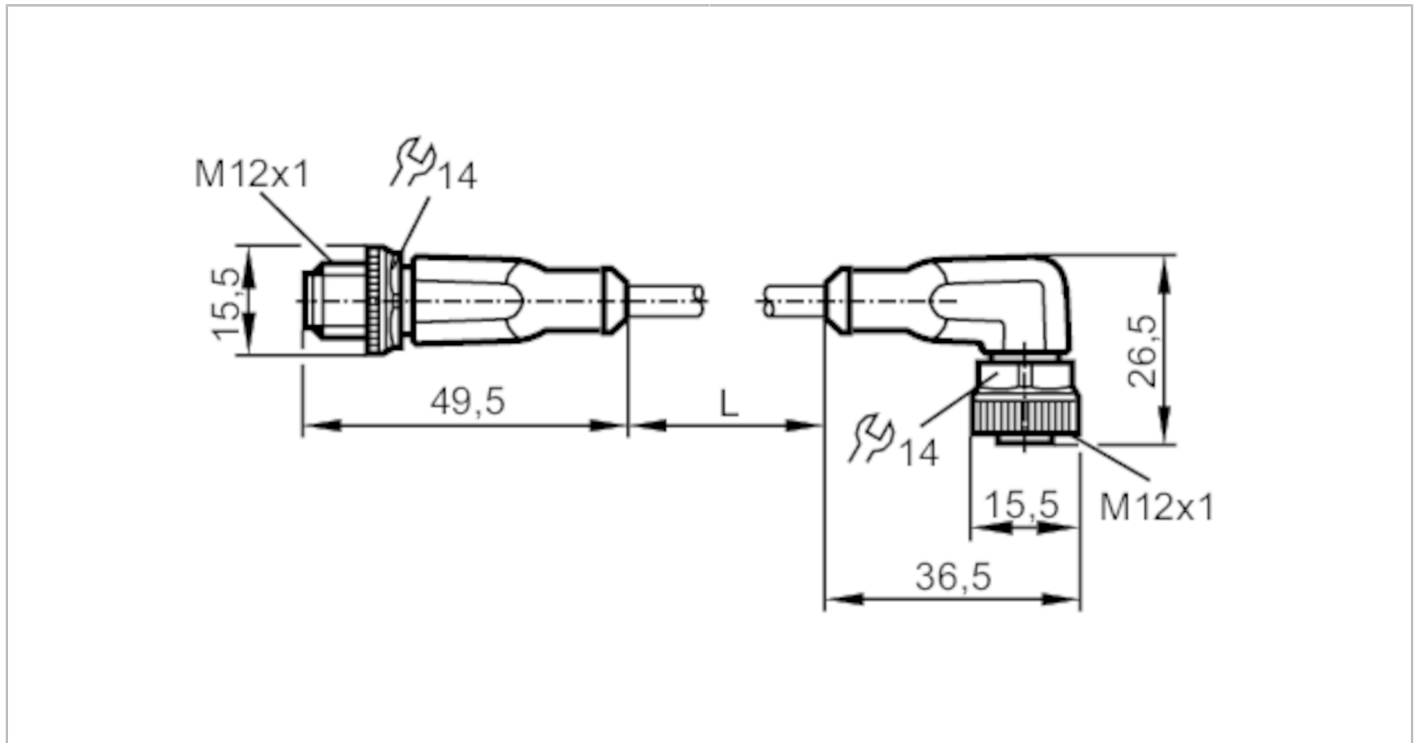


EVC063



Connection cable

VDOAH050MSS0002H05STGH050MSS



| Application | | |
|--------------------------------------|--|--|
| Special feature | Free from silicone; Halogen-free; Gold-plated contacts; Drag chain suitability | |
| Free from silicone | yes | |
| Electrical data | | |
| Operating voltage [V] | < 60 AC/DC | |
| Protection class | II | |
| Max. current load total [A] | 4; (cULus: 3) | |
| Operating conditions | | |
| Ambient temperature [°C] | -25...90 | |
| Note on ambient temperature | cULus: ...75 | |
| Ambient temperature (moving) [°C] | -25...90 | |
| Note on ambient temperature (moving) | cULus: ...75 | |
| Protection | IP 65; IP 67; IP 68; IP 69K | |
| Mechanical data | | |
| Weight [g] | 103 | |
| Materials | housing: TPU; Sealing: FKM | |
| Material nut | brass, nickel-plated / brass, nickel-plated | |
| Drag chain suitability | yes | |
| Drag chain suitability | bending radius for flexible use | min. 10 x cable diameter |
| | travel speed | max. 3.3 m/s for a horizontal travel length of 5 m and max. acceleration of 5 m/s ² |
| | bending cycles | > 5 Mio. |
| | torsional strain | ± 180 °/m |
| | | |

EVC063



Connection cable

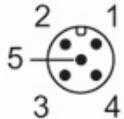
VDOAH050MSS0002H05STGH050MSS

Remarks

| | |
|---------------|---|
| Notes | Please see the technical note under "Downloads" |
| Pack quantity | 1 pcs. |

Electrical connection - plug

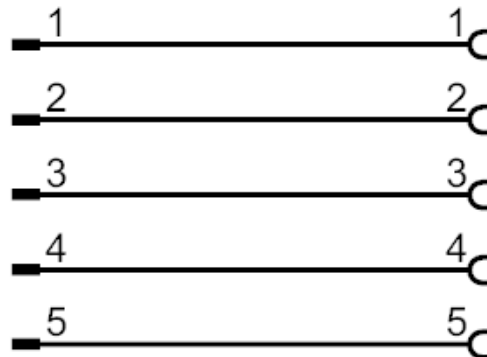
Connector: 1 x M12, straight; Locking: brass, nickel-plated; Contacts: gold-plated; Tightening torque: 0.6...1.5 Nm



Electrical connection

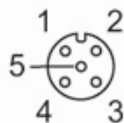
Cable: 2 m, PUR, Halogen-free, black, Ø 4.6 mm; 5 x 0.34 mm² (42 x Ø 0.1 mm)

Connection



Electrical connection - socket

Connector: 1 x M12, angled; Locking: brass, nickel-plated; Contacts: gold-plated; Tightening torque: 0.6...1.5 Nm

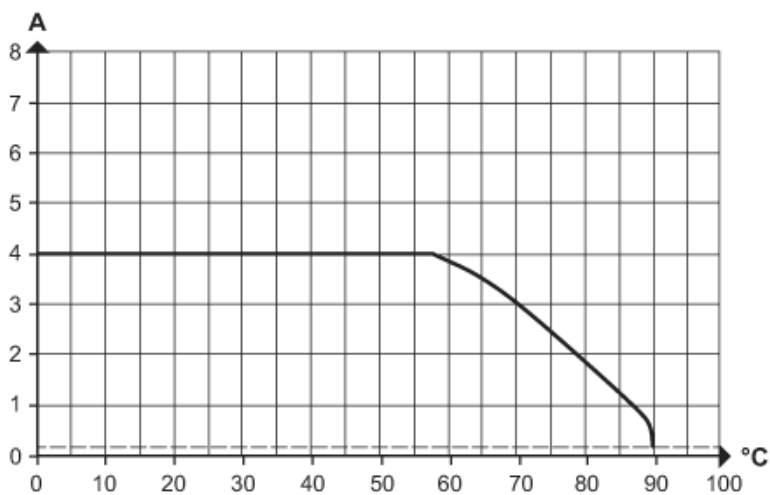




Connection cable

VDOAH050MSS0002H05STGH050MSS

Diagrams and graphs



Derating $I_{max} * 0.8$ DIN EN 60512-5-2

X Ambient temperature [°C]

Y Current [A]