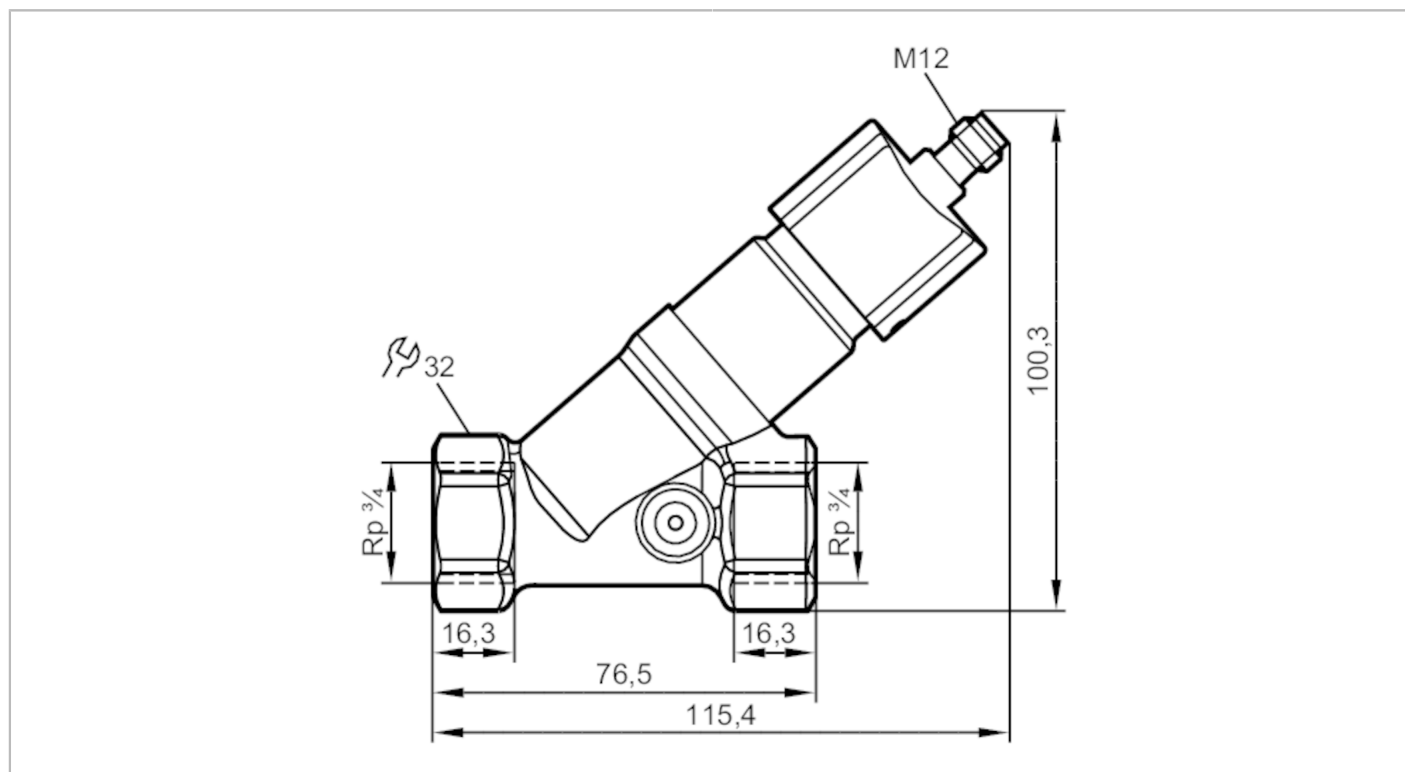


SBY434



Flow transmitter with integrated backflow prevention

SBY34HF010KG/US



Product characteristics		
Measuring range	[l/min]	2...50
Process connection		Rp 3/4
Application		
Media		Liquids; water; glycol solutions; oils; coolants
Medium temperature	[°C]	-10...100
Pressure rating	[bar]	40
Electrical data		
Operating voltage	[V]	18...32 DC; (to SELV/PELV)
Current consumption	[mA]	< 35
Protection class		III
Reverse polarity protection		yes
Outputs		
Output signal		analogue signal
Analogue current output	[mA]	4...20
Max. load	[Ω]	500
Short-circuit protection		yes
Overload protection		yes
Measuring/setting range		
Measuring range	[l/min]	2...50
Accuracy / deviations		
Repeatability		1

SBY434



Flow transmitter with integrated backflow prevention

SBY34HF010KG/US

	[% of the final value]	
Measuring error		± 5
	[% of the final value]	

Response times		
Response time	[s]	< 0.01

Operating conditions		
Ambient temperature	[°C]	0...60
Storage temperature	[°C]	-15...80
Protection		IP 65; IP 67

Tests / approvals		
EMC	DIN EN 61000-6-2	
	DIN EN 61000-6-3	
Shock resistance	DIN EN 60068-2-27	20 g (11 ms)
Vibration resistance	DIN EN 60068-2-6	5 g (10...2000 Hz)
MTTF	[years]	778

Mechanical data		
Weight	[g]	469
Materials	brass chemically nickel-plated; PP; stainless steel (1.4404 / 316L); aluminium anodised; PA	
Materials (wetted parts)	stainless steel (1.4401 / 316); brass; brass chemically nickel-plated; PP; PPS; O-ring: FKM	
Process connection	Rp 3/4	
Switching cycles mechanical	10 million	

Remarks		
Remarks	Recommendation Use 200 micron filtration All data refer to water (20 °C).	
Pack quantity	1 pcs.	

Electrical connection		
Connector: 1 x M12		



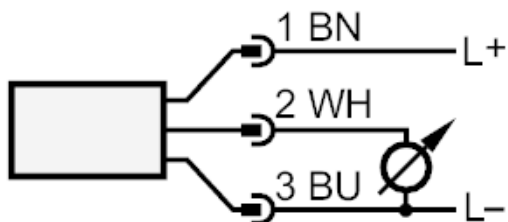
SBY434



Flow transmitter with integrated backflow prevention

SBY34HF010KG/US

Connection



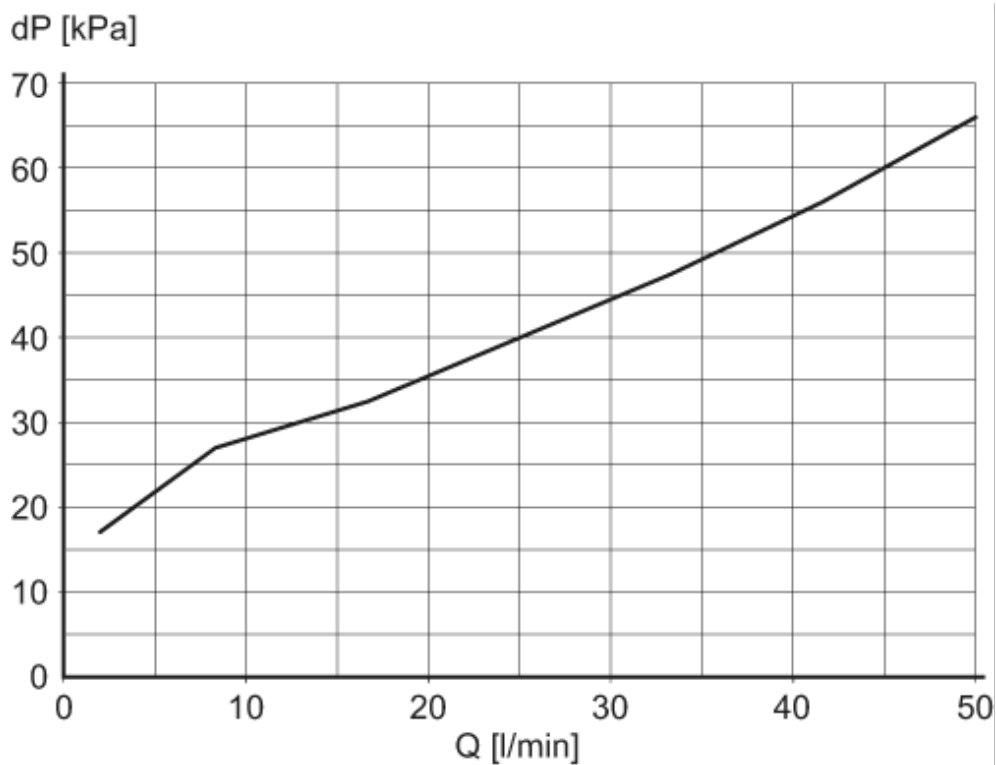
colours to DIN EN 60947-5-2

Core colours :

BN = brown
BU = blue
WH = white

Diagrams and graphs

Pressure loss



dP Pressure loss

Q volumetric flow quantity