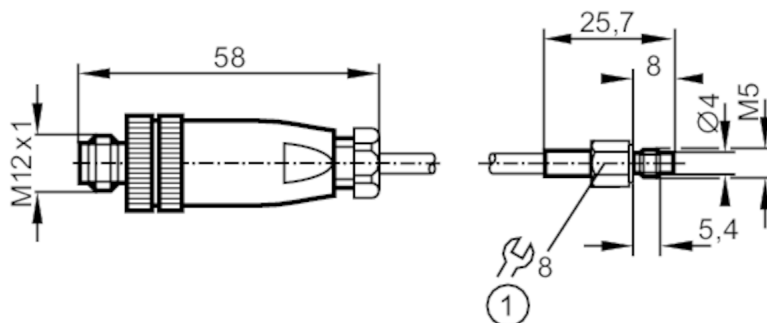


TS2759



Temperature cable sensor with screw-in sensor

TS-PT100-SCREW-IN M5



1 Tightening torque 1.5 Nm

DNV·GL
dnvgl.com/af



Product characteristics

Measuring range	-30...180 °C	-22...356 °F
Process connection	threaded connection M5 external thread	

Application

Measuring element	1 x Pt 100; (to DIN EN 60751, class A)	
Installation	surface mount RTD for solid bodies	

Electrical data

Protection class	III	
------------------	-----	--

Measuring/setting range

Measuring range	-30...180 °C	-22...356 °F
-----------------	--------------	--------------

Accuracy / deviations

Accuracy	[K]	$\pm (0,15 K + 0,002 \times t)$
----------	-----	-----------------------------------

Response times

Dynamic response T05 / T09	[s]	3 / 8; (to DIN EN 60751)
----------------------------	-----	--------------------------

Operating conditions

Protection	IP 67	
------------	-------	--

Tests / approvals

MTTF	[years]	10377.8
------	---------	---------

Mechanical data

Weight	[g]	102.8
Housing	screw-in sensor	
Dimensions	[mm]	M5 / L = 25.7
Thread designation	M5	
Materials	stainless steel (1.4404 / 316L)	
Process connection	threaded connection M5 external thread	

Remarks

Pack quantity	1 pcs.	
---------------	--------	--

Electrical connection

Cable: 2 m, silicone

Connector: 1 x M12

TS2759



Temperature cable sensor with screw-in sensor

TS-PT100-SCREW-IN M5



Connection

