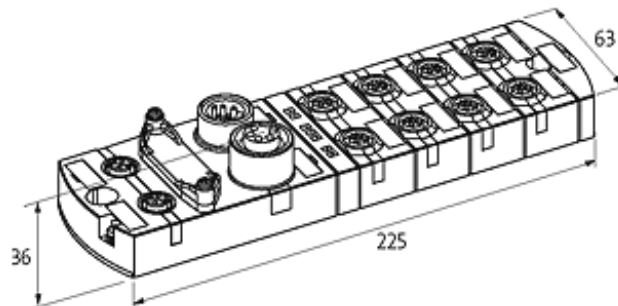


IMPACT67 COMPACT MODULE, PLASTIC

Ethernet/IP, 16 dig In

Digital inputs
DI16

For connection cables please see chapter "Connection Technology" Housings potted on the back

[Link to Product](#)**Illustration**

Product may differ from Image

Approvals**More Info****EtherNet/IP**
CONFIRMED HOST**Input**

Sensor supply US	24 V DC (EN 61131-2), max. 200 mA (M12 female), short-circuit and overload protected
------------------	--

Type	for 3-wire sensors or mechanical switches, PNP, (EN 61131-2)
------	--

Connections

Fieldbus	M12, D-coded
----------	--------------

Sensor-system/actuator supply	7/8", 5-pole, 2 × max. 9 A
-------------------------------	----------------------------

I/O ports	M12, A-coded, 5-pole
-----------	----------------------

Fieldbus

Operating voltage	24 V DC (EN 61131-2)
-------------------	----------------------

Operating modes	Autonegotiation/Auto MDI/MDI-X
-----------------	--------------------------------

Transfer rate	to 100 Mbit/s Full Duplex
---------------	---------------------------

Addressing	DHCP, BOOTP or IP address by rotary switch
------------	--

General data

Protection	IP67
------------	------

Mounting method	2 hole screw mounting, compatible with I/O modules of MVK model range
-----------------	---

Temperature range	-25...+55 °C (storage temperature -25...+70 °C)
-------------------	---

Dimensions H × W × D	39×63×225 mm
----------------------	--------------

Diagnostic

Communication status	via LED
----------------------	---------

Diagnostic via LED	per module and channel
--------------------	------------------------

Diagnostic via BUS	per module
--------------------	------------

Monitoring - under voltage	yes
----------------------------	-----

Monitoring - no voltage	yes
-------------------------	-----

Short circuit and overload	yes
----------------------------	-----

Commercial data

country of origin	DE
-------------------	----

customs tariff number	85176200
-----------------------	----------

minimum order quantity	1
------------------------	---