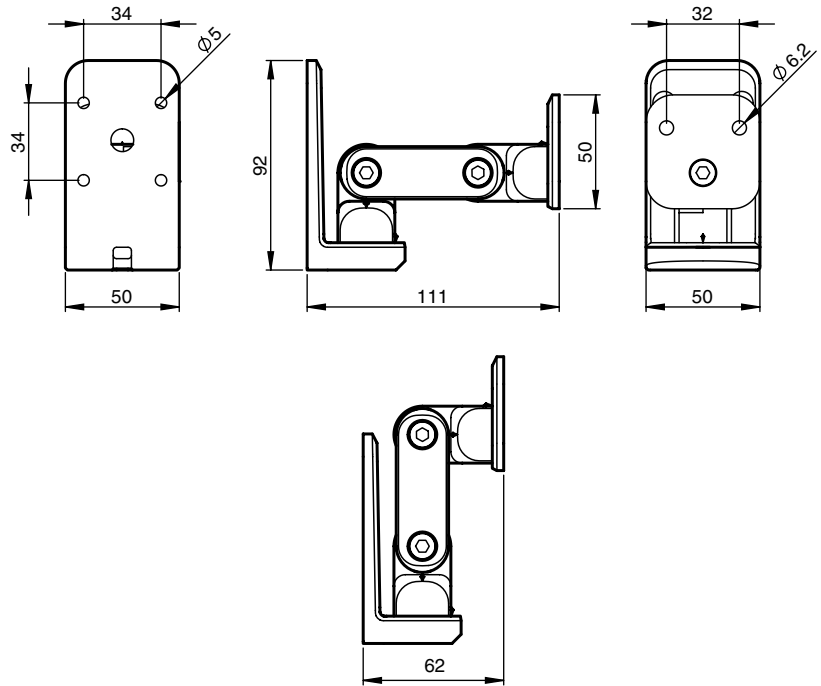




**Dimensions**



**Model Number**

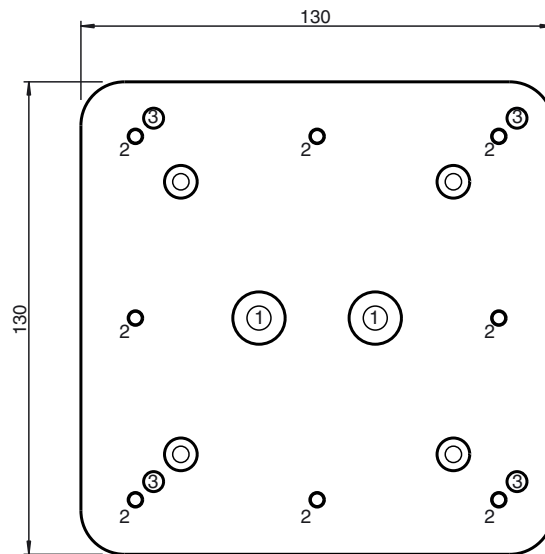
**IUZ-MH13**

Mounting bracket for wall mounting

**Features**

- Multipart mounting kit
- Wall mounting

**Mechanical arrangement**



- 1 = IUZ-MH13      Ø M6
- 2 = IUH-F190-V1-\*      Ø M4
- 3 = IUH-F192-V1-\*      Ø M5

**Technical data**

**Mechanical specifications**

Material	aluminum
Screwed connection	Screws for assembly of the wall bracket included
Mass	515 g
Note	Fully adjustable on all rotational axes

Release date: 2016-12-01 14:51 Date of issue: 2016-12-01 283011\_eng.xml