

REAR INTERLOCK WALKING BEAM ACCESSORY FOR: 3VA5  
125/250 3VA6 150/250/400/600



## Model

Product designation

Accessories

## Certificates

General Product Approval	EMC	Declaration of Conformity	other
--------------------------	-----	---------------------------	-------



[Miscellaneous](#)

## Further information

**Information- and Downloadcenter (Catalogs, Brochures,...)**

<http://www.siemens.com/lowvoltage/catalogs>

**Industry Mall (Online ordering system)**

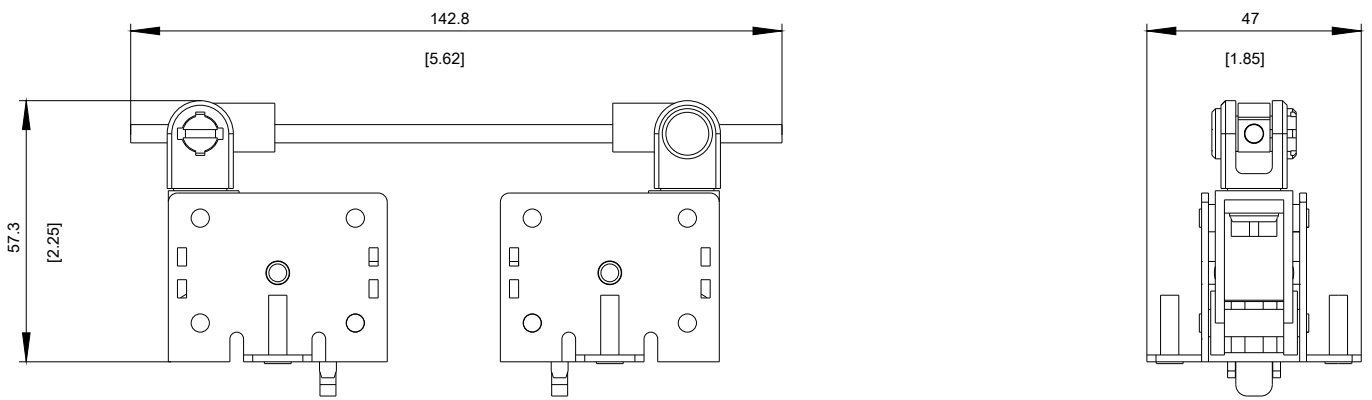
<https://mall.industry.siemens.com/mall/en/en/Catalog/product?mlfb=3VA9078-0VM10>

**Service&Support (Manuals, Certificates, Characteristics, FAQs,...)**

<https://support.industry.siemens.com/cs/ww/en/ps/3VA9078-0VM10>

**Image database (product images, 2D dimension drawings, 3D models, device circuit diagrams, ...)**

[http://www.automation.siemens.com/bilddb/cax\\_en.aspx?mlfb=3VA9078-0VM10](http://www.automation.siemens.com/bilddb/cax_en.aspx?mlfb=3VA9078-0VM10)



last modified:

08/28/2017