

UK Installation instructions

FI Asennusohje

LV Instalācijas instrukcija

DE Montageanleitung

FR Notice de montage

NO Monteringsanvisning

CZ Montážní návod

HU Szerelési útmutató

PL Instrukcja montażu

DK Monteringsvejledning

IT Istruzioni di montaggio

SE Installationsanvisning

EE Paigaldusjuhend

LT Montavimo Instrukcijos

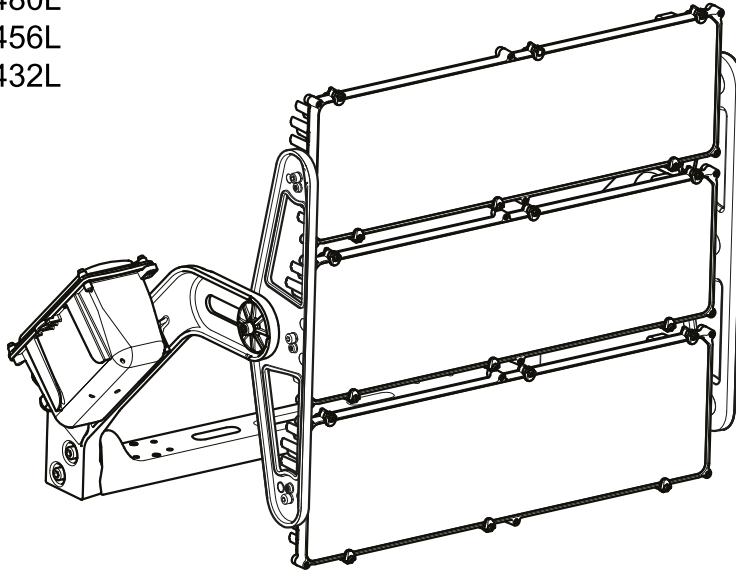
RU ИНСТРУКЦИЯ ПО МОНТАЖУ

TYPE : ALG5 - 504L

- 480L


- 456L


- 432L



IP66 / IK08

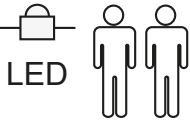
 = 30.9 kg

 The luminaire with clear optic should be positioned so that prolonged staring into the luminaire at a distance <2m is not expected

 Caution, risk of electric shock
Danger, risque de chocs électriques

Extreme caution : Do not connect any LED CONNECTION wire (high voltage) inside NTC connector !! It could result in a critical failure and damage irreversibly the ALTIS luminaire

The light source contained in this luminaire shall only be replaced by the manufacturer or his service agent or a similar qualified person.



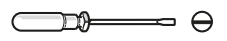
CLASS I 

19/30/36

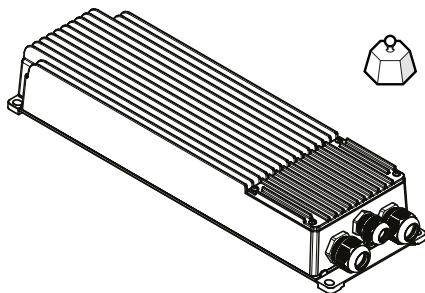
4/8/10


T20/T26

SZ3



1 GEAR BOX : ALG5 GB LE

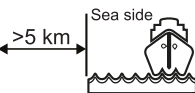
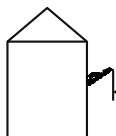


 = 5.6 kg

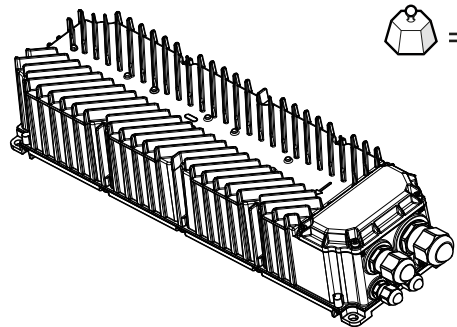
Ta_{MIN} = -40°C / Ta_{MAX} = +50°C
(up to 50°C with driving current derating)


IP66 / IK08

corrosion environment
from C1 to C3 according to
standard ISO9223



ALG5 GB 3 CH

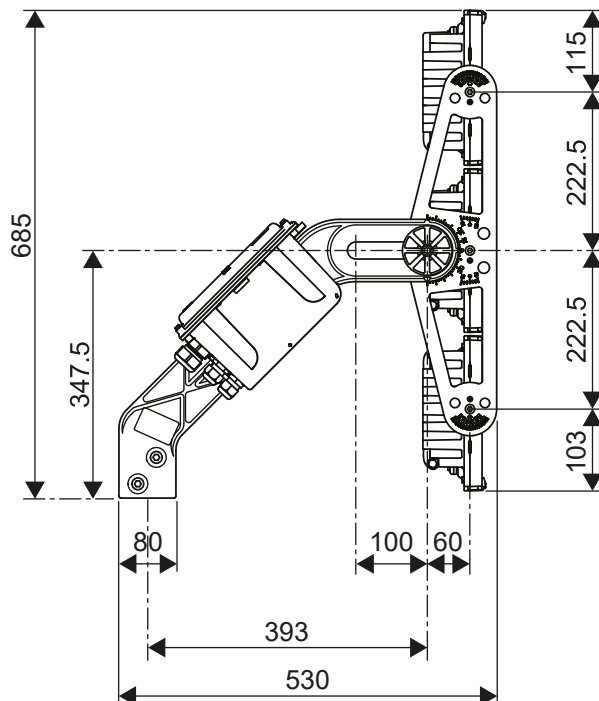
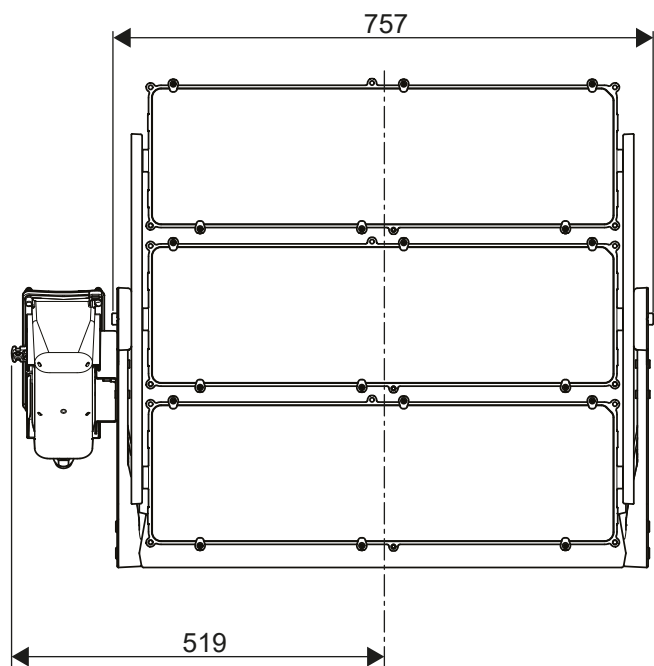


 = 6.1 kg

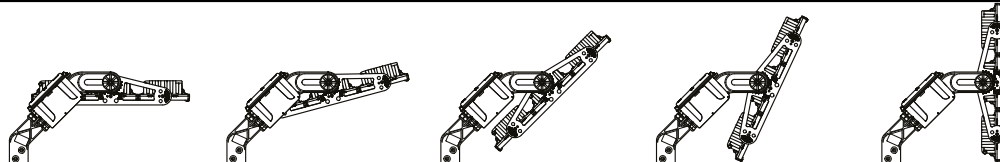
Ta_{MIN} = -40°C / Ta_{MAX} = +55°C
(up to 55°C with driving current derating)

IP66 / IK08

ALG5 GB 504L - 480L - 456L - 432L

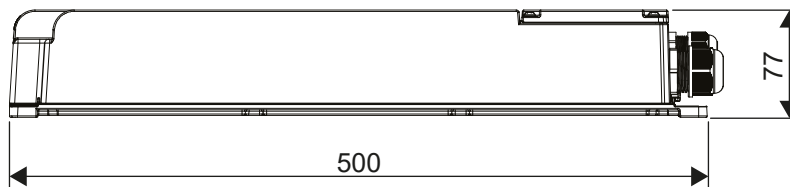
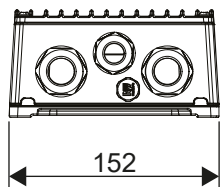


		$S_C X 0^\circ *$	$S_C X 15^\circ *$	$S_C X 45^\circ *$	$S_C X 65^\circ *$	$S_C X 90^\circ *$
ALG5	432L	0.174	0.222	0.4	0.498	0.517

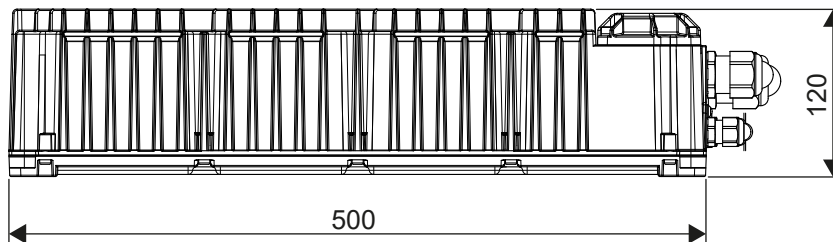
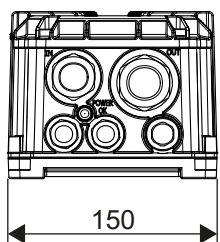


* These data refer to the worst case at indicated angle

ALG5 GB LE



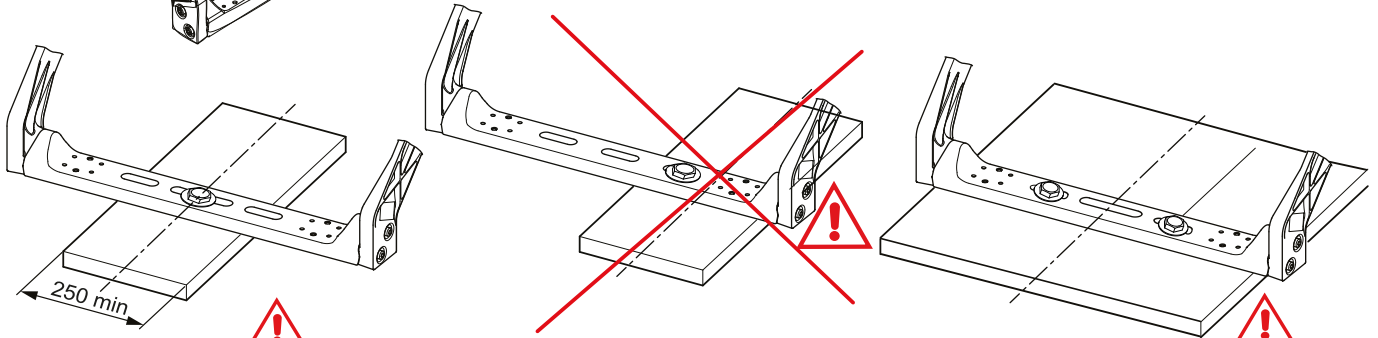
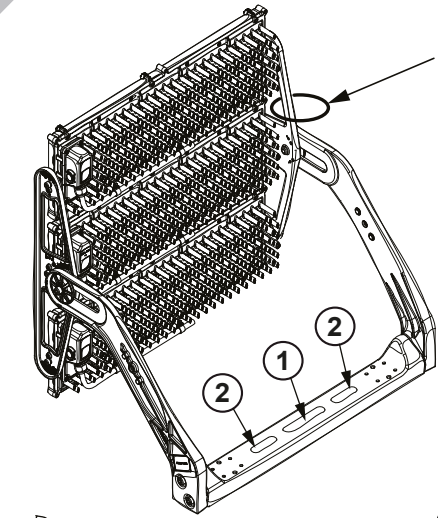
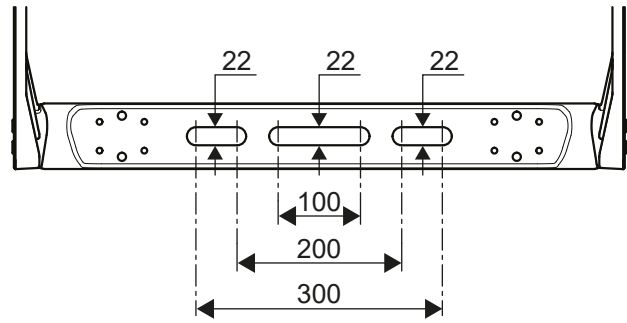
ALG5 GB 3 CH



3



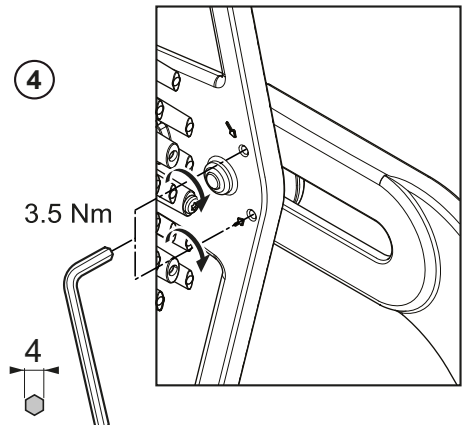
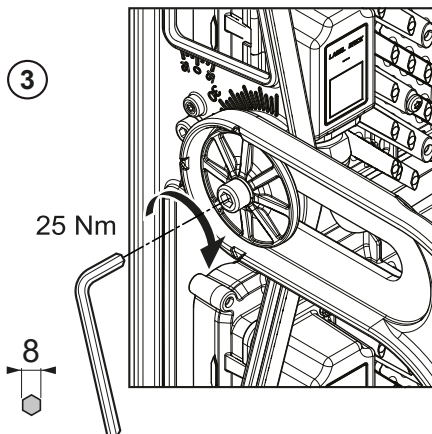
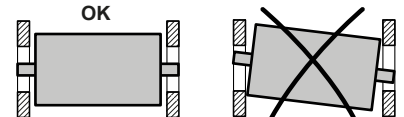
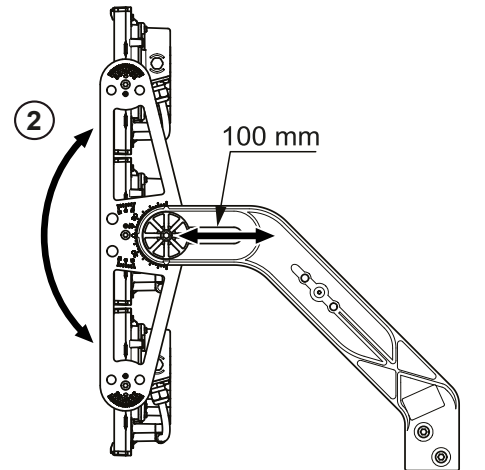
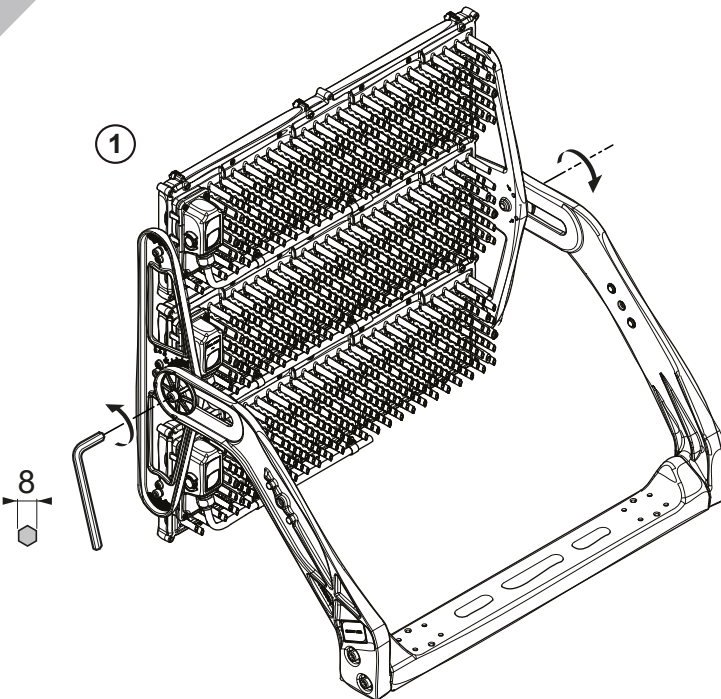
For installation higher >3m
Secure product with retaining cable
attached to the frame (not included in the delivery).
Please refer to local installation norms/regulations.



① 1xM20 with extra large washer (not provided)

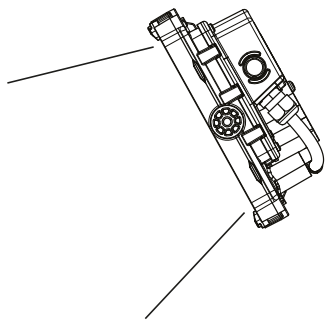
② 2xM20 with extra large washer (not provided)

4

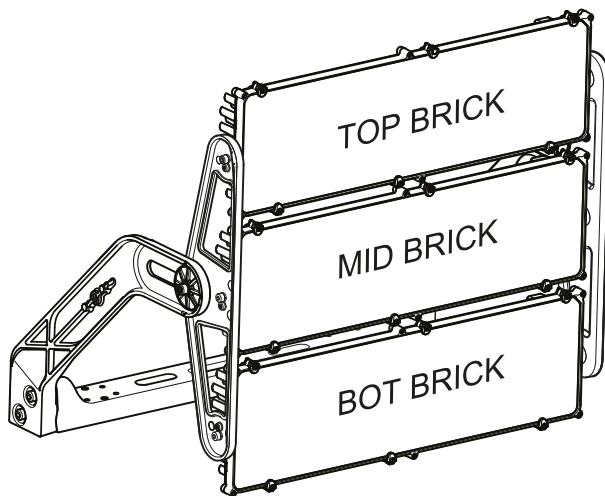


ALG5 504L120 - 740 PST NB MB WB ANT

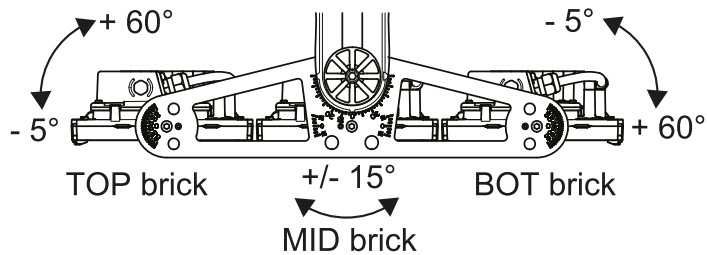
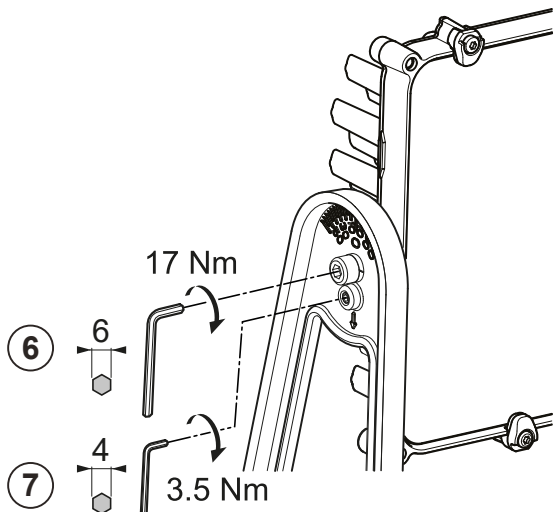
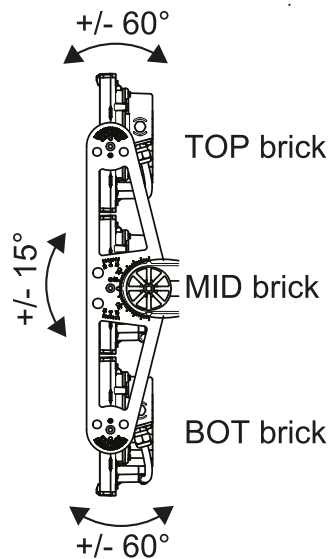
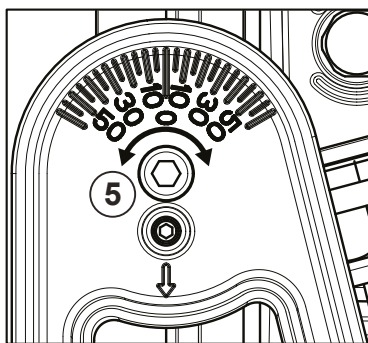
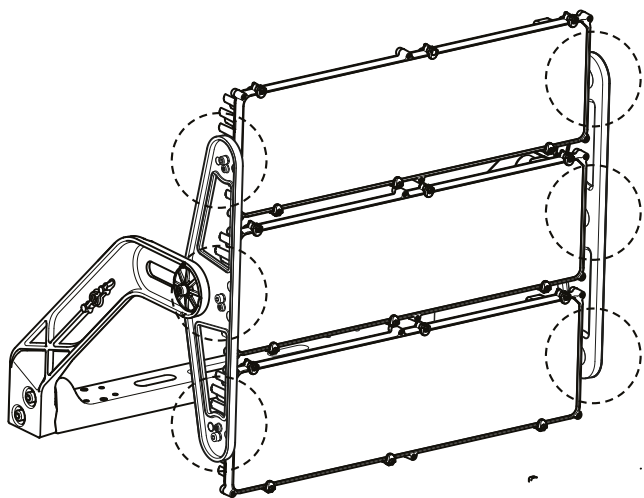
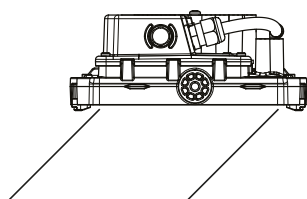
Symmetrical / Elliptical beam
(NB, MB, WB, EB)

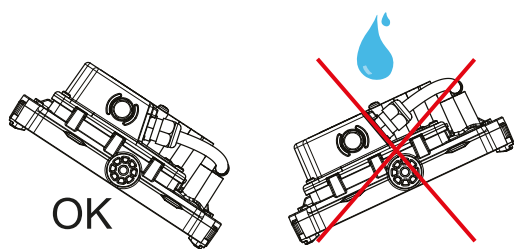
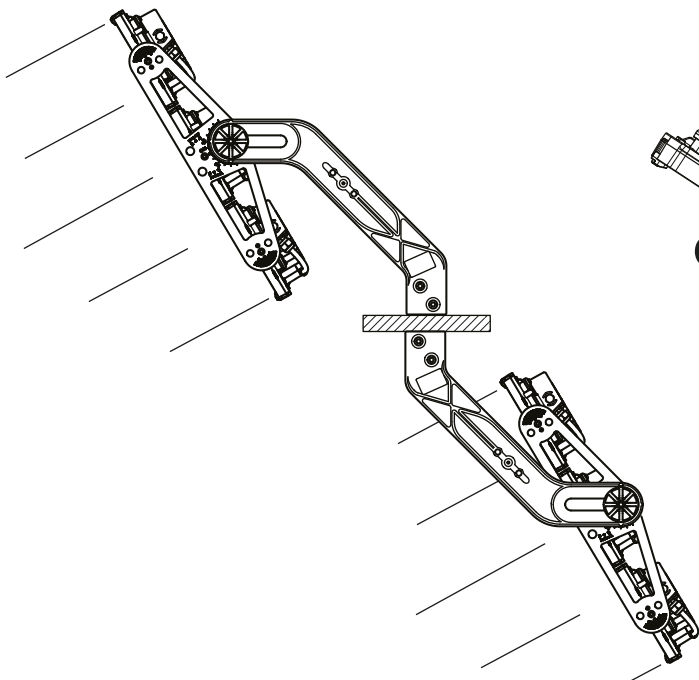
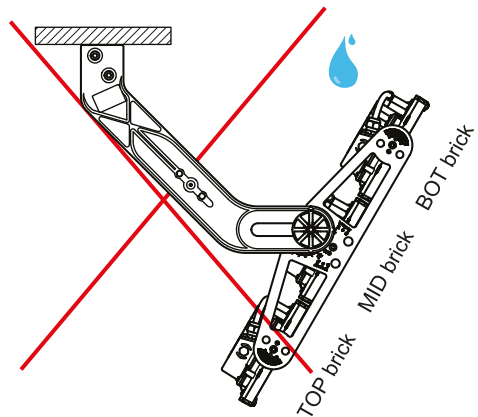
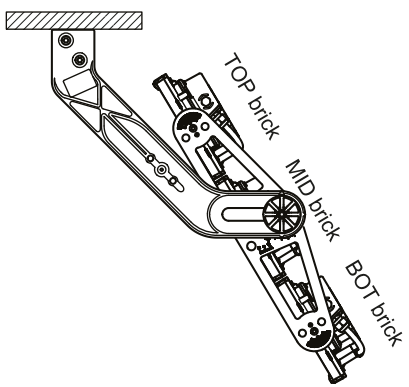
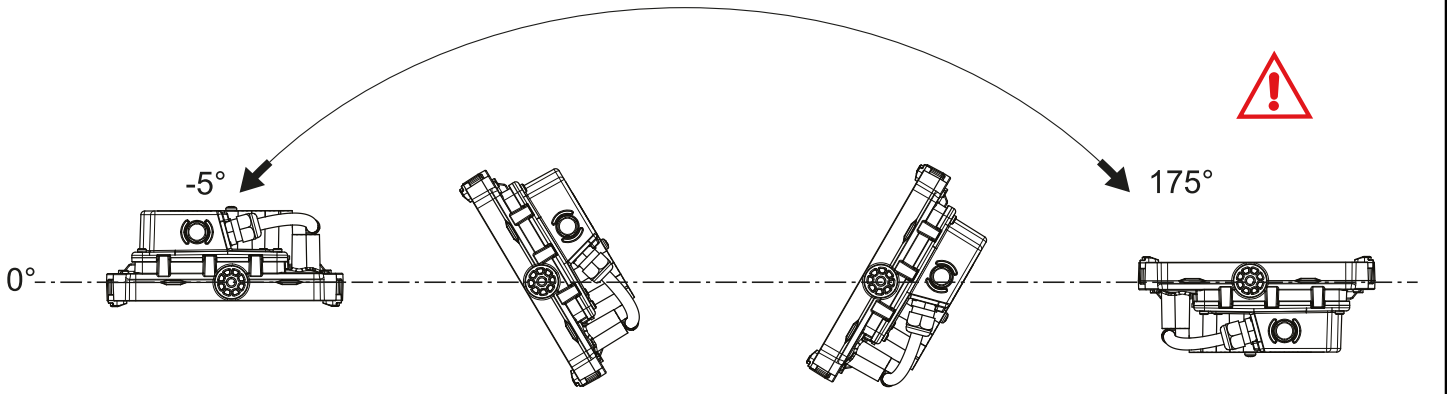
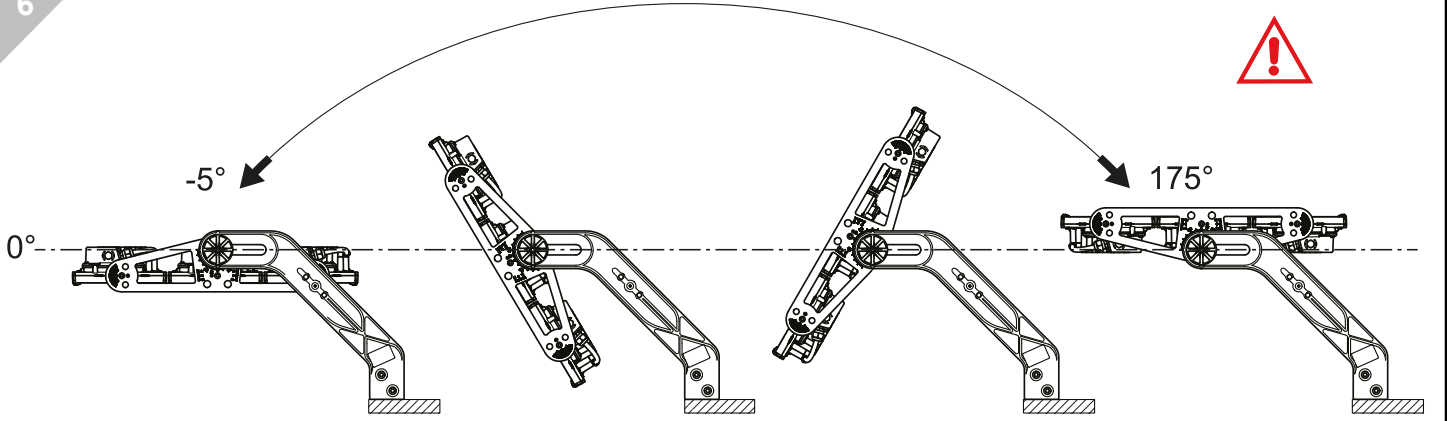


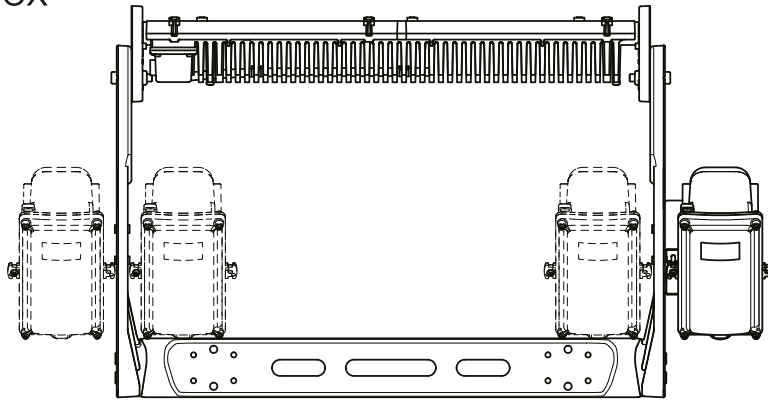
TOP BRICK
MID BRICK
BOT BRICK



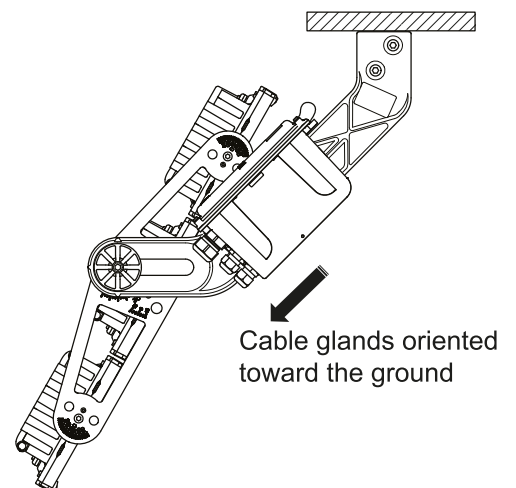
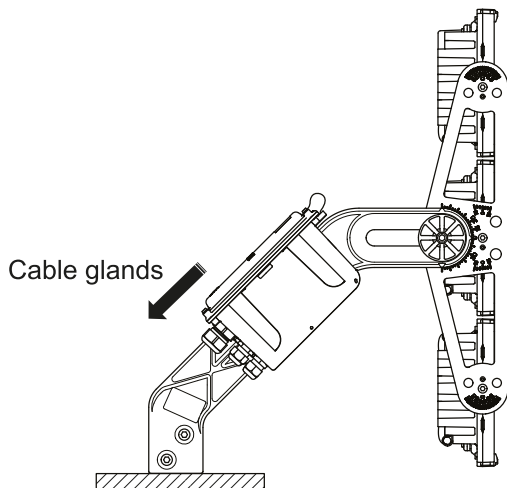
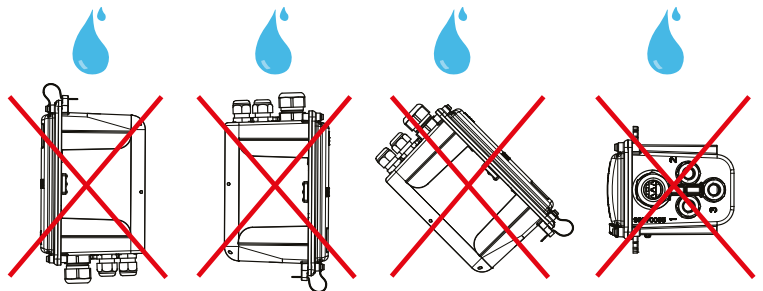
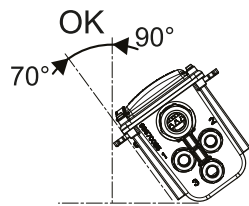
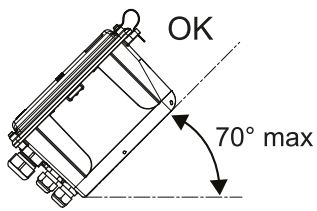
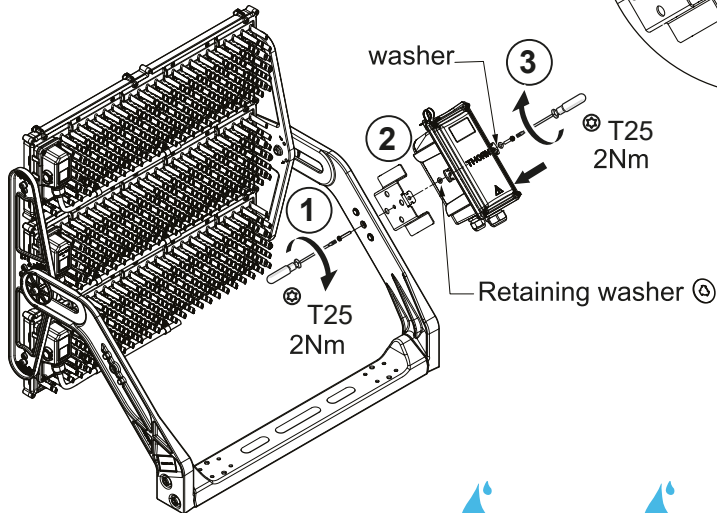
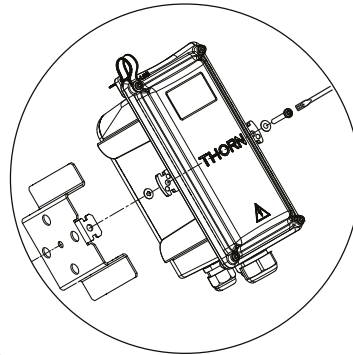
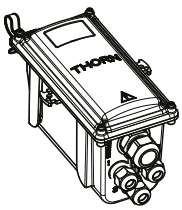
Asymmetrical beam
(A4, A5, A6, A15, A16, EW2)

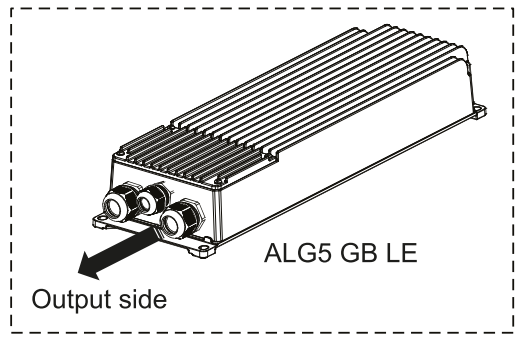
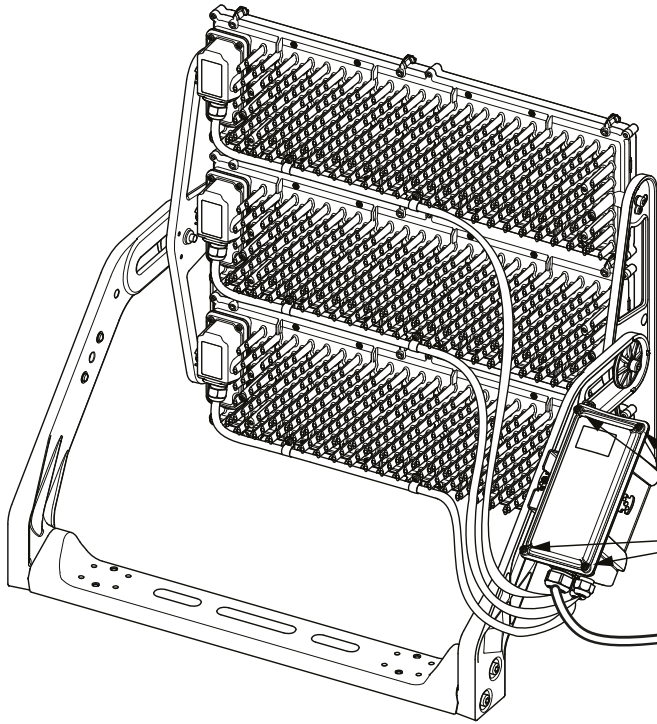




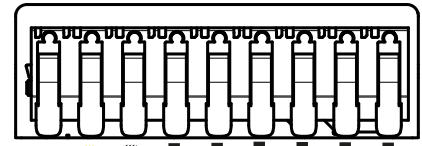


 Choose the right position for the connection box

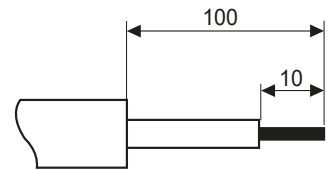
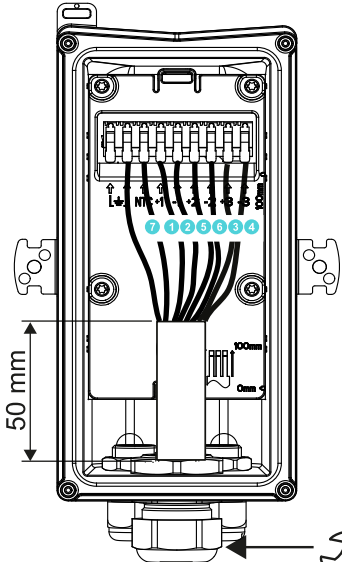




⚡ NTC +1 -1 +2 -2 +3 -3

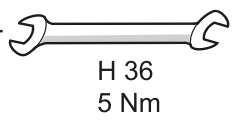


Extreme caution :
Do not connect any LED CONNECTION wire (high voltage) inside NTC connector !! It could result in a critical failure and damage irreversibly the ALTIS luminaire

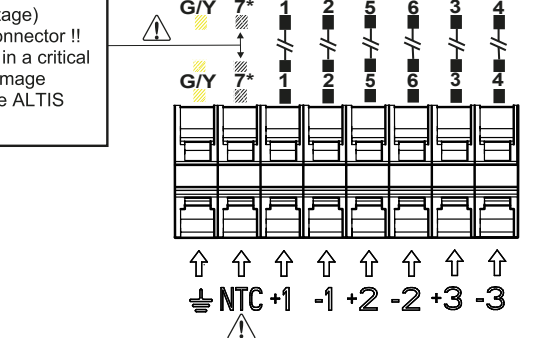


OK

Ø min = 1,0 mm²
Ø typ = 1,5 mm²
Ø max = 2,5 mm²

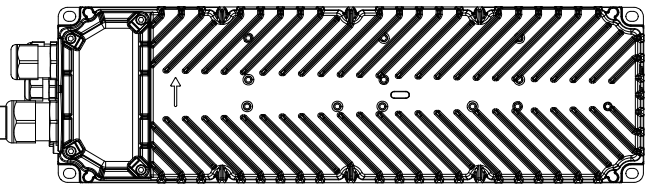


CABLE GLAND		
TYPE	ØMin	ØMax
M32	13 mm	21 mm

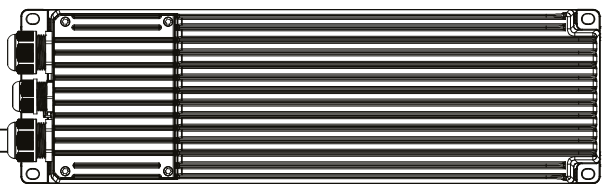


PINOUT		
Number	Label	Description
1	+1	LED1+Connection (TOP Brick
2	-1	LED1-Connection (TOP Brick
3	+3	LED3+Connection (BOT Brick
4	-3	LED3-Connection (BOT Brick
5	+2	LED2+Connection (MID Brick
6	-2	LED2-Connection (MID Brick
7	NTC option	Thermal Measure INPUT
	GND	PROTECTIVE EARTH
	GND	PROTECTIVE EARTH

ALG5 GB 504L - 480L - 456L - 432L

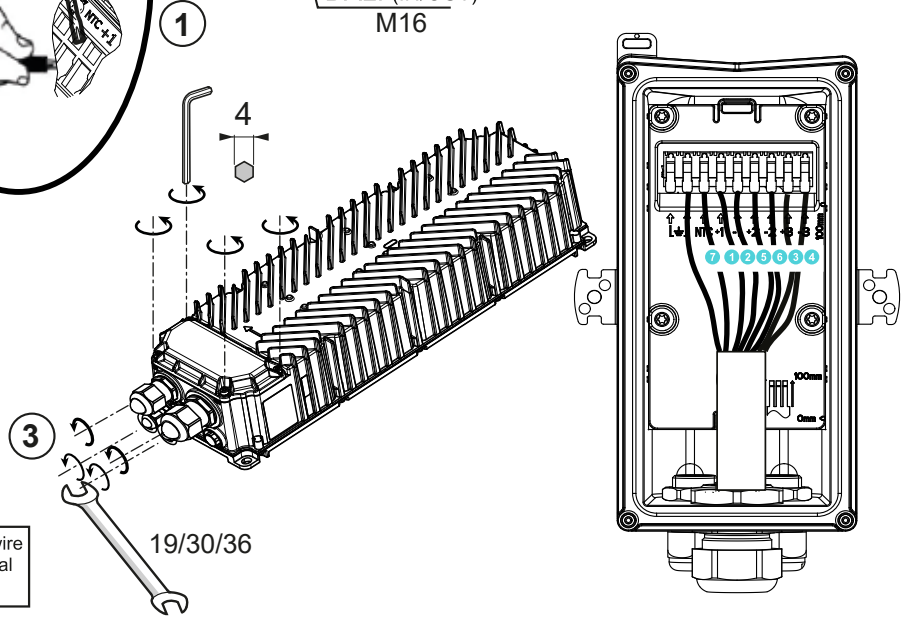
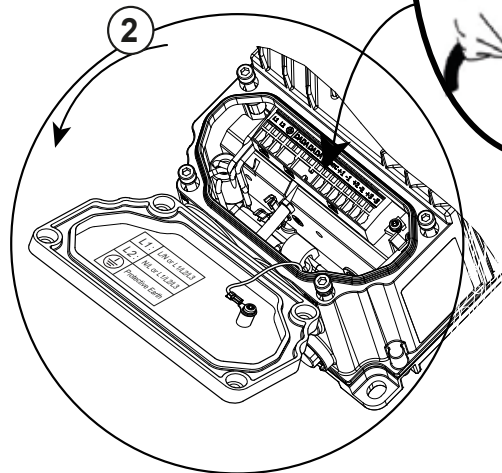
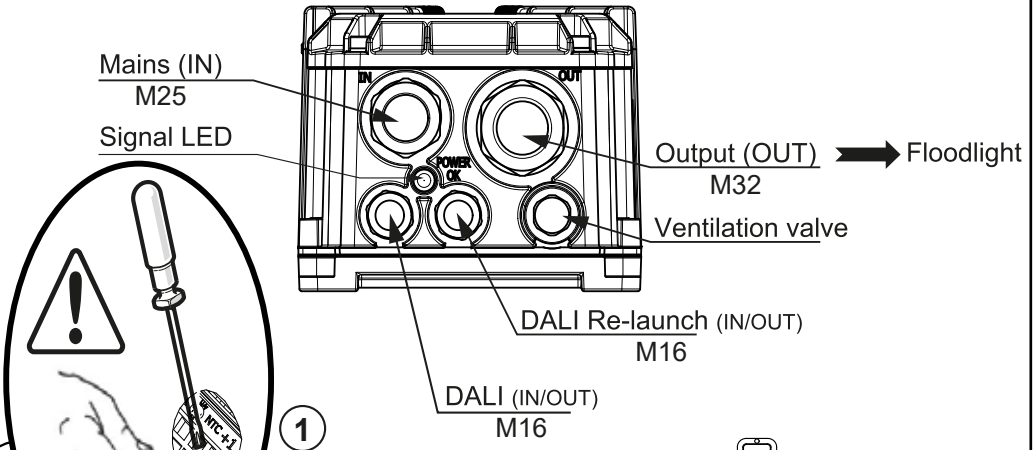
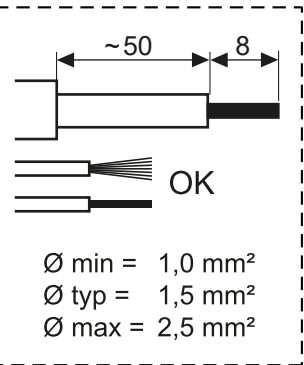


ALG5 GB LE



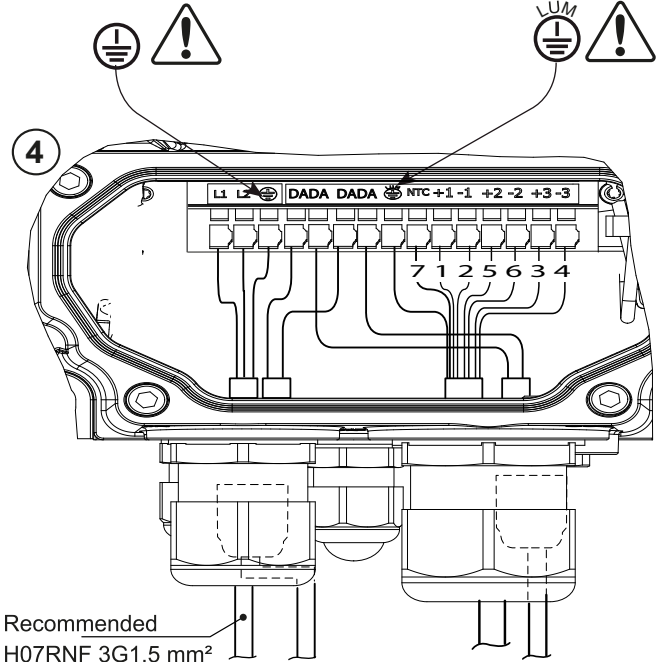
Length max = 200 m

Length max = 200 m



Extreme caution : Do not connect any LED CONNECTION wire (high voltage) inside NTC connector !! It could result in a critical failure and damage irreversibly the ALTIS luminaire

PINOUT		
Number	Label	Description
	L1	AC LINE 1 INPUT
	L2	AC LINE 2 INPUT
	⊕	PROTECTIVE EARTH
	DA+	DALI INPUT
	DA+	DALI RE-LAUNCH
	DA-	DALI INPUT
	DA-	DALI RE-LAUNCH
	⊕	PROTECTIVE EARTH FOR LUMINAIRE
7	NTC	THERMAL MEASURE INPUT
1	+1	LED1+CONNECTION (TOP Brick)
2	-1	LED1-CONNECTION (TOP Brick)
5	+2	LED2+CONNECTION (MID Brick)
6	-2	LED2-CONNECTION (MID Brick)
3	+3	LED3+CONNECTION (BOT Brick)
4	-3	LED3-CONNECTION (BOT Brick)

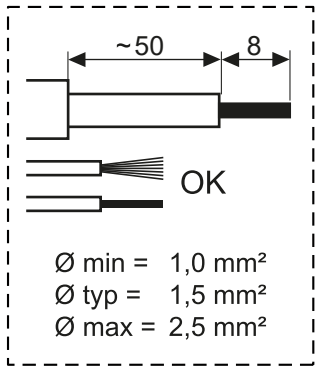


SIGNALLING LED INDICATIONS ON THE GEAR BOX			
PERIOD	PULSES	FAULT DESCRIPTION	PRIORITY
The encoded faults are based on pulses emitted every 4 seconds	1	One or more active CCR modules is not working	Maximum ↑ Minimum
	5	Undervoltage on one or more active outputs	
	2	short circuit on one or more active outputs	
	3	One or more active outputs disconnection from load	
	4	Overload on one or more active outputs	

CABLE GLAND		
TYPE	ØMin	ØMax
M16	5 mm	10 mm
M25	10 mm	17 mm
M32	13 mm	21 mm

SEAL REDUCER for GB and FLOOD		
TYPE	ØMin	ØMax
M32	10 mm	16 mm

10 ALG5 GB 3 CH / ELECTRICAL CONNECTION / RDM-DMX

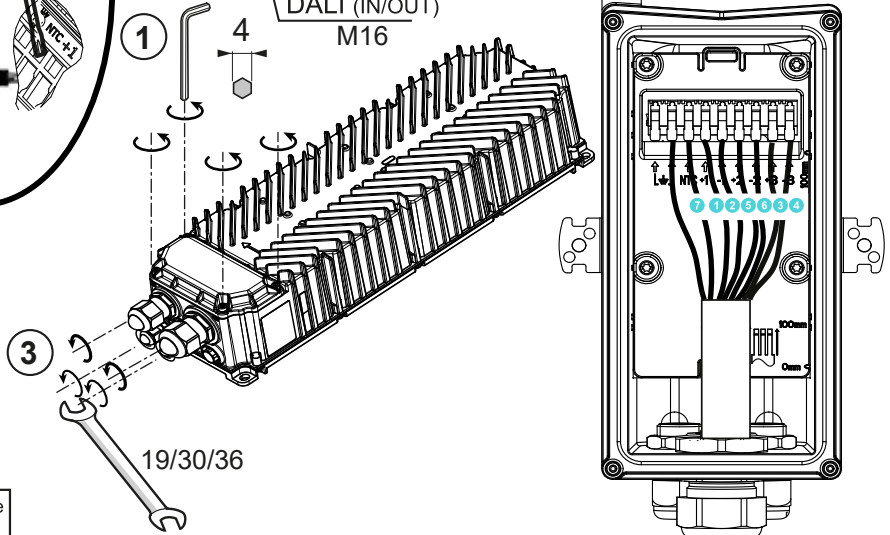
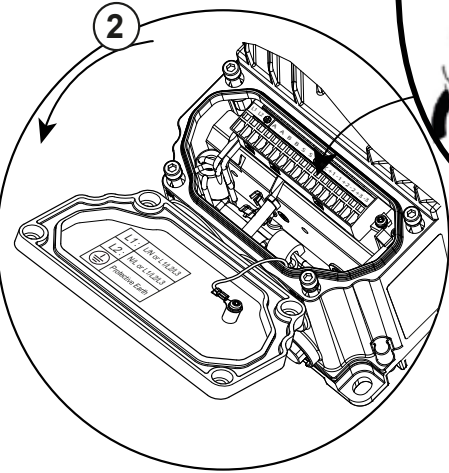


Mains (IN)
M25
Signal LED

Output (OUT) → Floodlight
M32
Ventilation valve

DALI Re-launch (IN/OUT)
M16

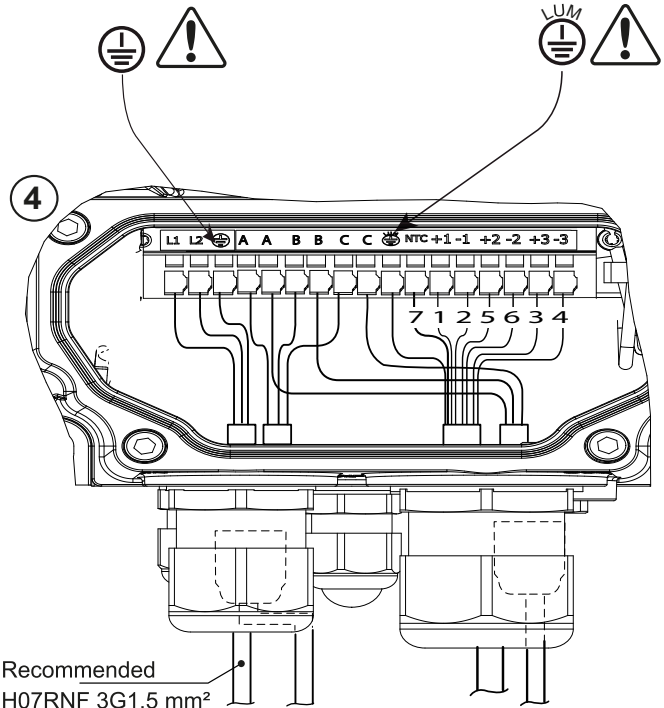
DALI (IN/OUT)
M16



Extreme caution : Do not connect any LED CONNECTION wire (high voltage) inside NTC connector !! It could result in a critical failure and damage irreversibly the ALTIS luminaire

PINOUT

Number	Label	Description
	L1	AC LINE 1 INPUT
	L2	AC LINE 2 INPUT
	⊕	PROTECTIVE EARTH
	A	DMX INPUT DATA+
	A	DMX-RE-LAUNCH DATA+
	B	DMX INPUT DATA-
	B	DMX-RE-LAUNCH DATA-
	S	DMX COMMON / SHIELD
	S	DMX COMMON / SHIELD
	⊕	PROTECTIVE EARTH FOR LUMINAIRE
7	NTC	THERMAL MEASURE INPUT
1	+1	LED1+CONNECTION (TOP Brick)
2	-1	LED1-CONNECTION (TOP Brick)
5	+2	LED2+CONNECTION (MID Brick)
6	-2	LED2-CONNECTION (MID Brick)
3	+3	LED3+CONNECTION (BOT Brick)
4	-3	LED3-CONNECTION (BOT Brick)



Recommended
H07RNF 3G1,5 mm²

SIGNALLING LED INDICATIONS ON THE GEAR BOX

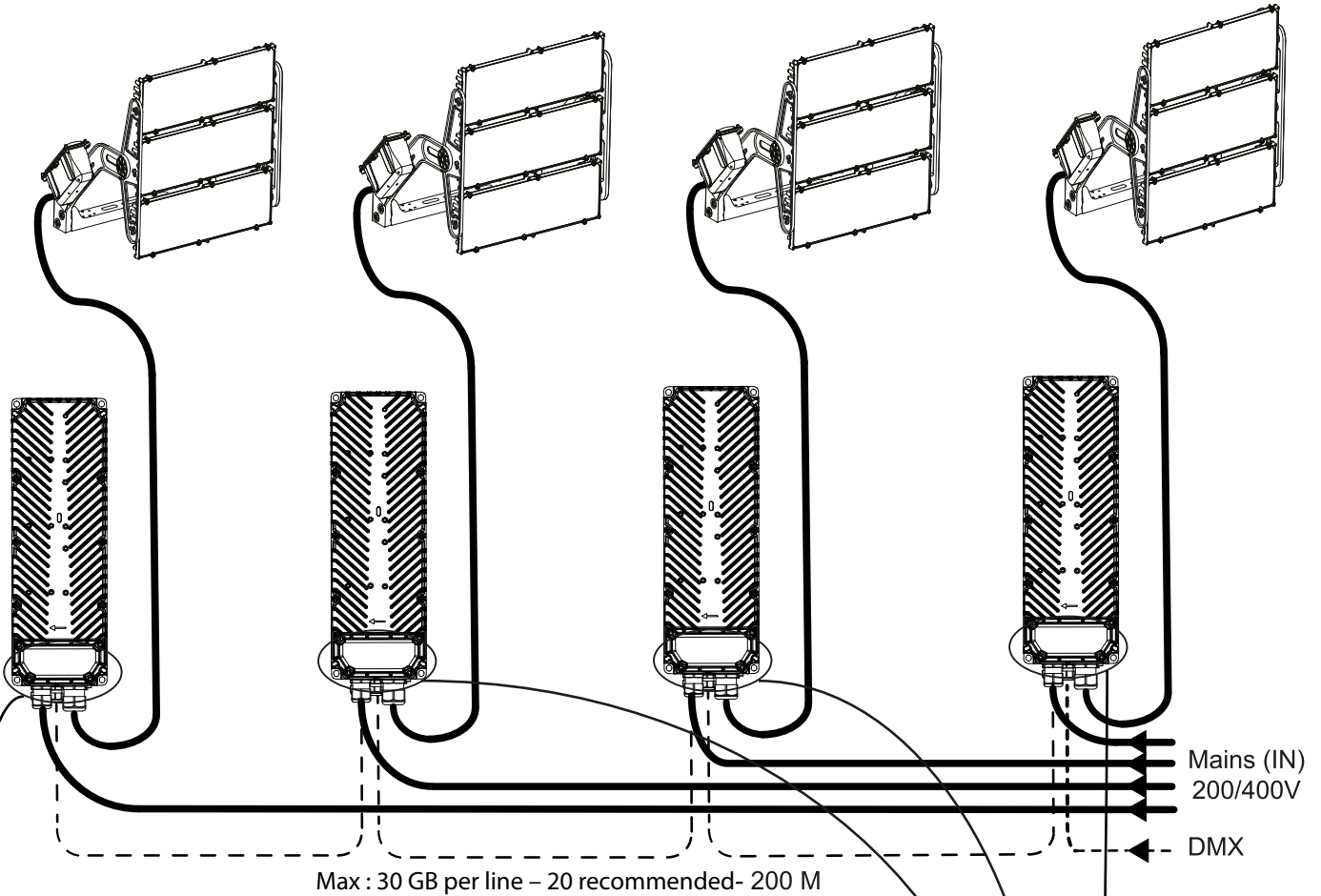
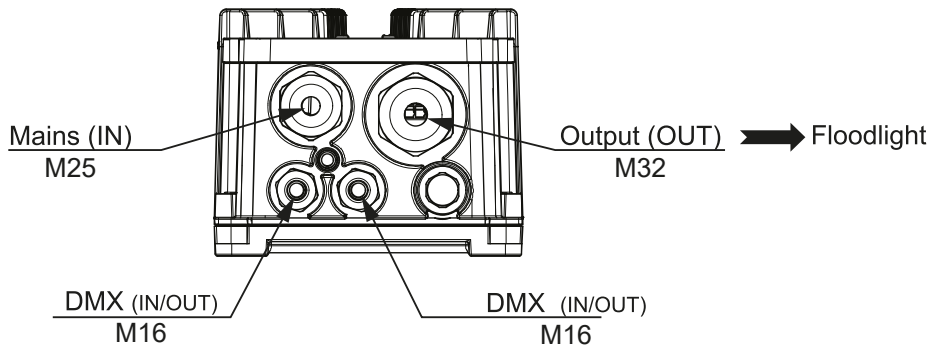
PERIOD	PULSES	FAULT DESCRIPTION	PRIORITY
The encoded faults are based on pulses emitted every 4 seconds	1	One or more active CCR modules is not working	Maximum ↑ Minimum
	5	Undervoltage on one or more active outputs	
	2	short circuit on one or more active outputs	
	3	One or more active outputs disconnection from load	
	4	Overload on one or more active outputs	

CABLE GLAND

TYPE	ØMin	ØMax
M16	5 mm	10 mm
M25	10 mm	17 mm
M32	13 mm	21 mm

SEAL REDUCER for GB and FLOOD

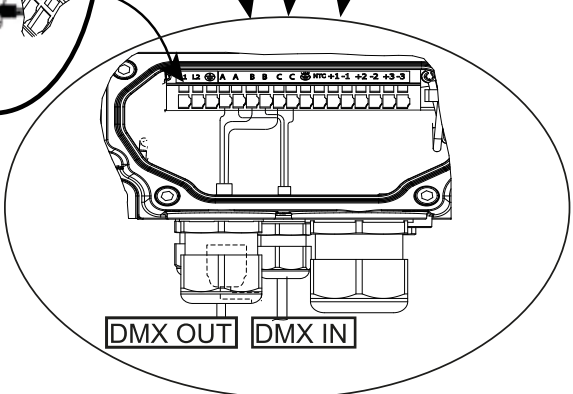
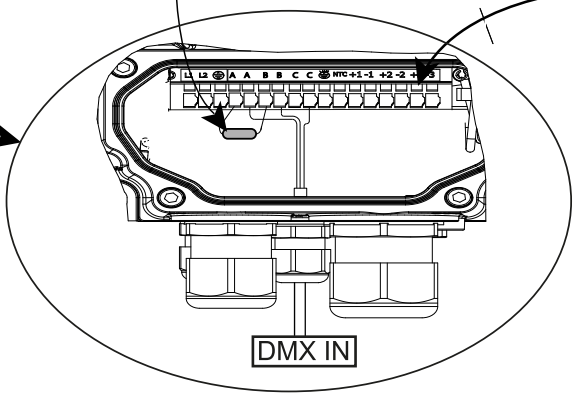
TYPE	ØMin	ØMax
M32	10 mm	16 mm

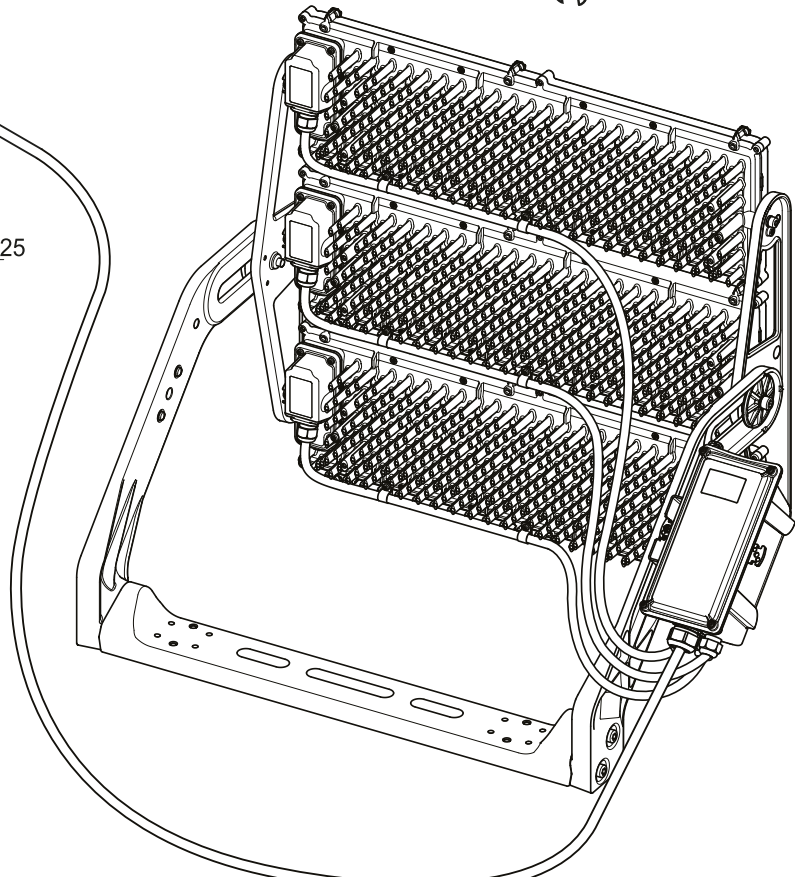
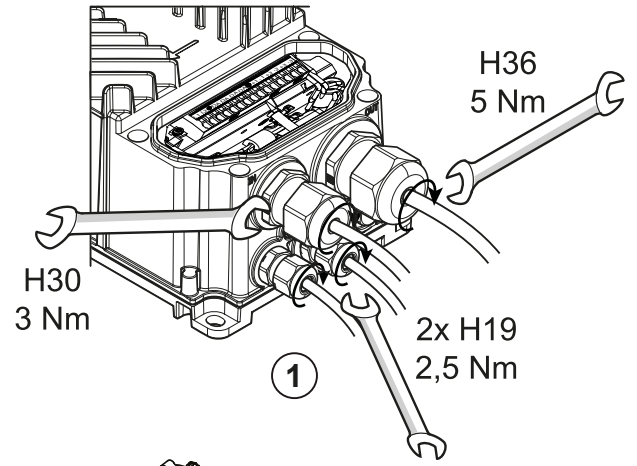
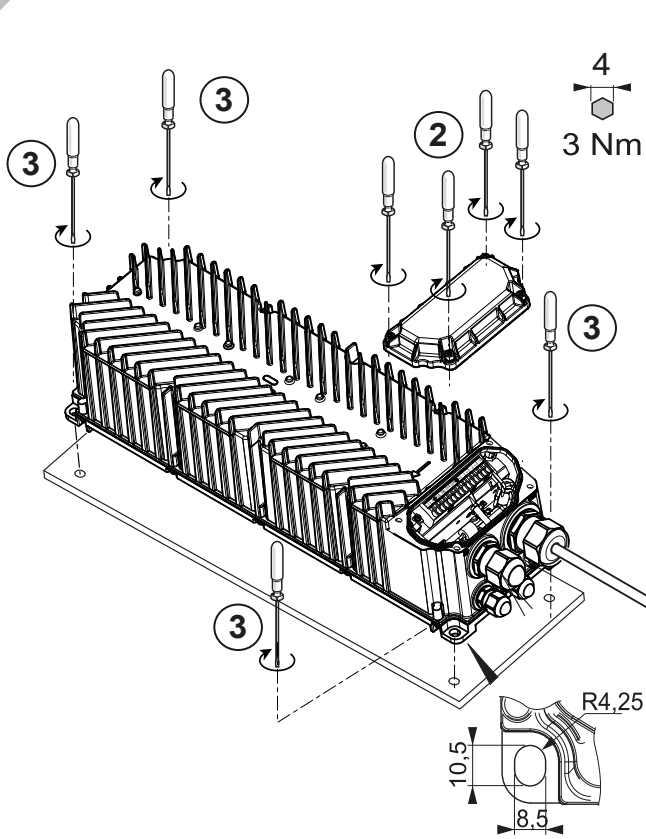


« DMX-RDM wiring shall respect ANSI E1.11 and AINSI E1.20 installation rules.»

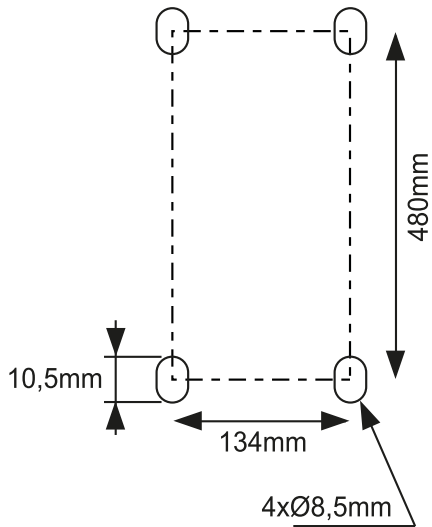
1 to 3 DMX addresses per GB - changeable via RDM

Last device on the line shall be properly terminated with a 120R 0.5W 5% resistance (96683550)

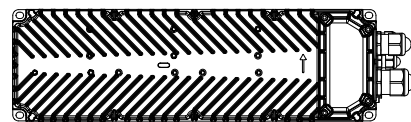
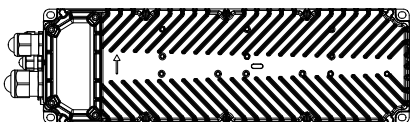




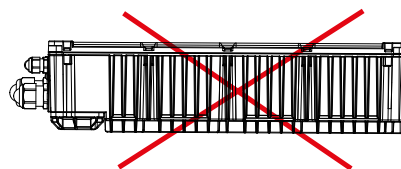
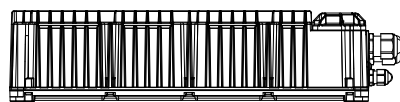
Drilling recommendation:



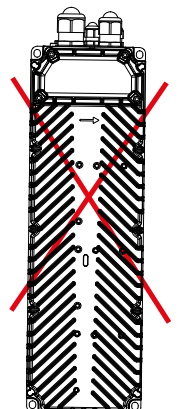
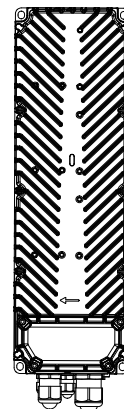
HORIZONTAL



LATERAL / SIDE



VERTICAL

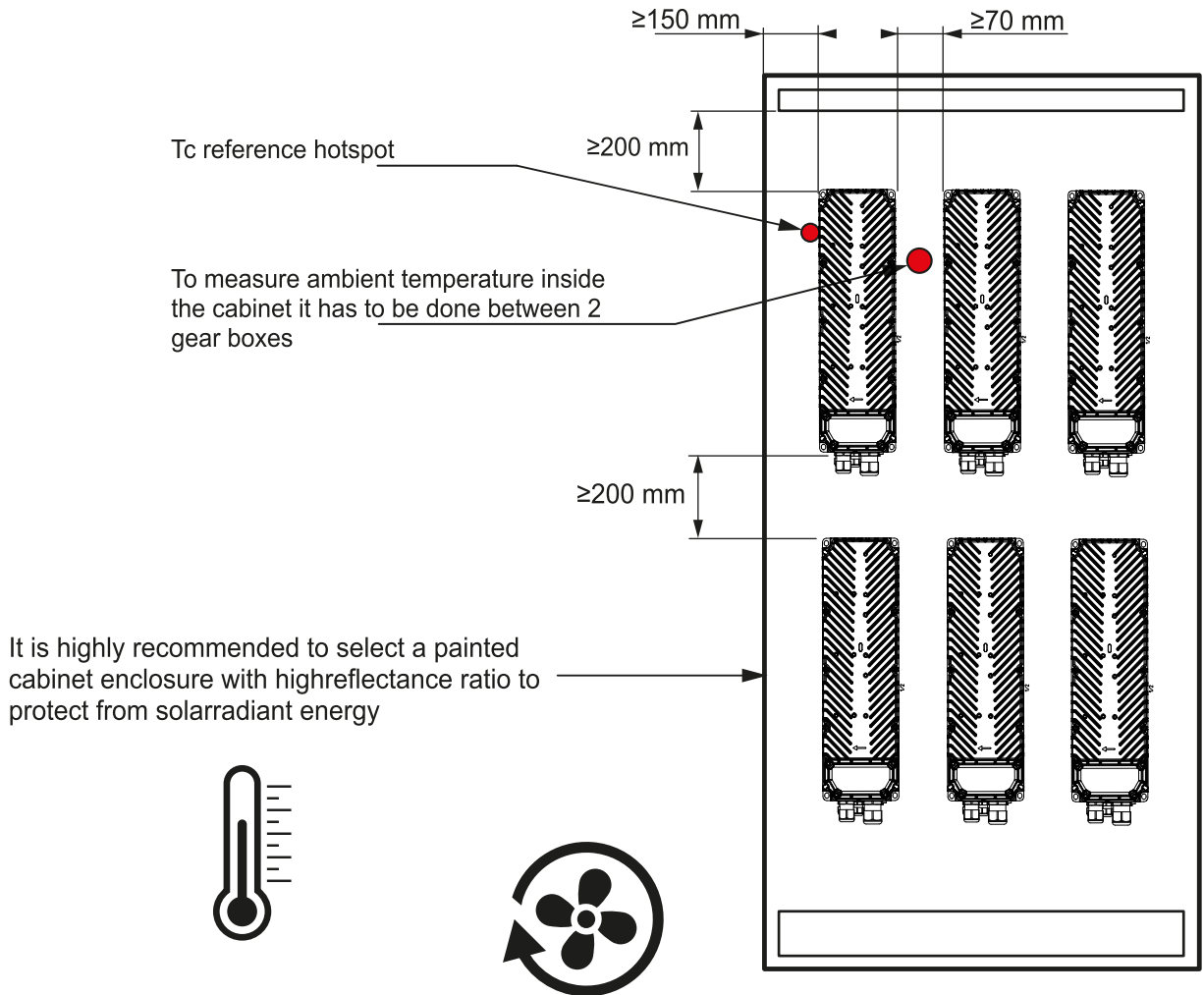


CIRCUIT BREAKER recommendation

It should be mentioned in the notice that calculation has been done with a Circuit Breaker Load Factor of 100%.

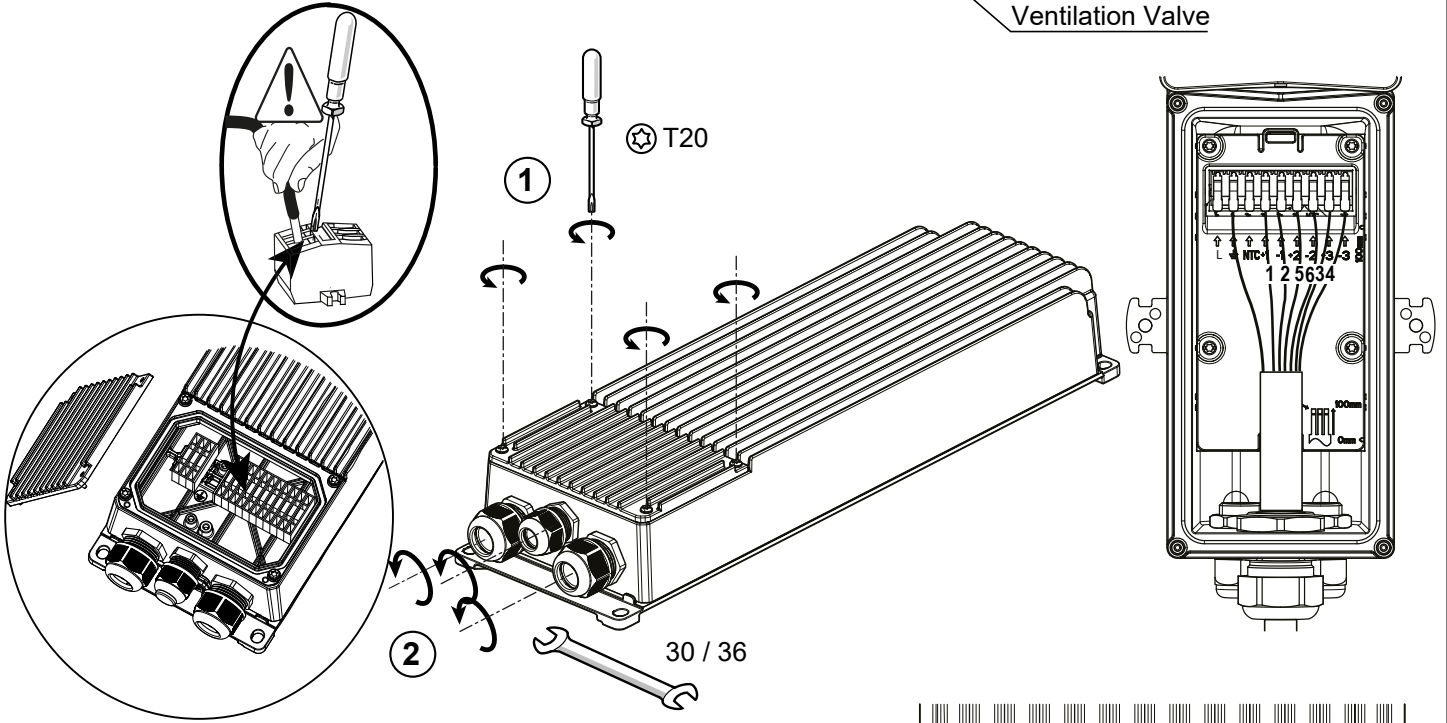
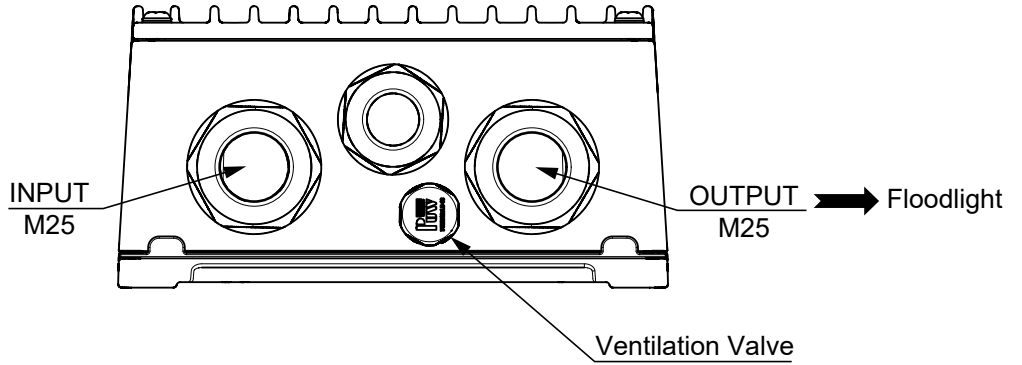
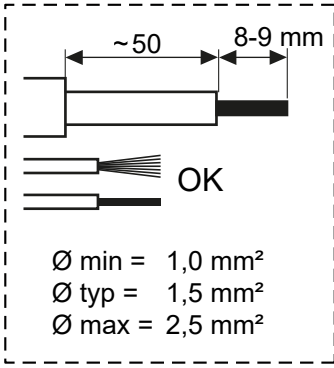
V in Nominal	Inrush Current Data		# Drivers for each Circuit Breaker											
	I peak (A)	Half Value Time (µs)	Type B 10A	Type B 16A	Type B 20A	Type B 25A	Type C 10A	Type C 16A	Type C 20A	Type C 25A	Type D 10A	Type D 16A	Type D 20A	Type D 25A
230Vac	40	2500	0	1	1	2	0	1	1	2	0	1	1	2
400Vac	68	2000	0	1	1	1	1	1	2	2	1	1	2	3

GUIDELINE FOR INTEGRATION OF GEAR BOX



If you cannot follow instructions included in previous section regarding gear box integration, you have to measure Tc reference point taking into consideration that measures must be down to Tc_max

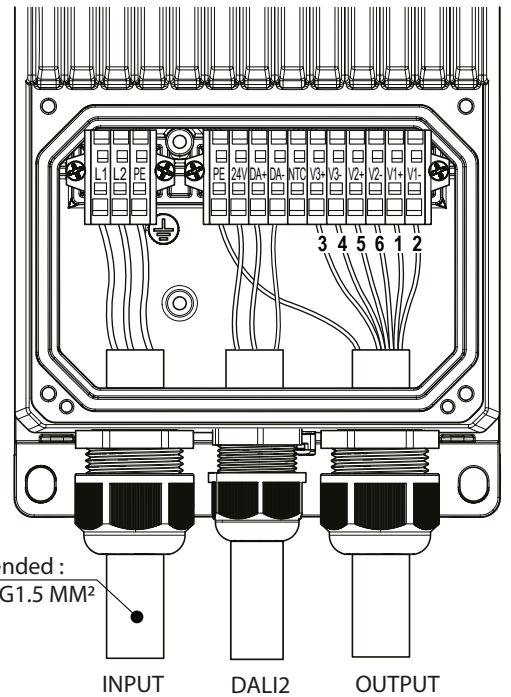
Tc Reference at Max Ambient				
Position	Horizontal	Vertical	Side	
Mounting				
	230Vac	81°C	80°C	82°C (Ref.)
	400Vac	69°C	68°C	70°C (Ref.)
Ambient Max	55°C	55°C	55°C (Ref.)	



PINOUT		
Number	Label	Description
	L1	AC INPUT
	L2	AC INPUT
	PE	PROTECTIVE EARTH
	PE	PE FOR LED MODULE
	+24V	+24V INPUT
	DA+	DALI INPUT
	DA-	DALI RE-LAUNCH
	NTC	THERMINALPROTECTION FOR LED FIXTURE
1	+1	LED1+CONNECTION (TOP Brick)
2	-1	LED1-CONNECTION (TOP Brick)
5	+2	LED2+CONNECTION (MID Brick)
6	-2	LED2-CONNECTION (MID Brick)
3	+3	LED3+CONNECTION (BOT Brick)
4	-3	LED3-CONNECTION (BOT Brick)

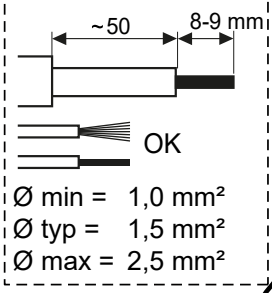
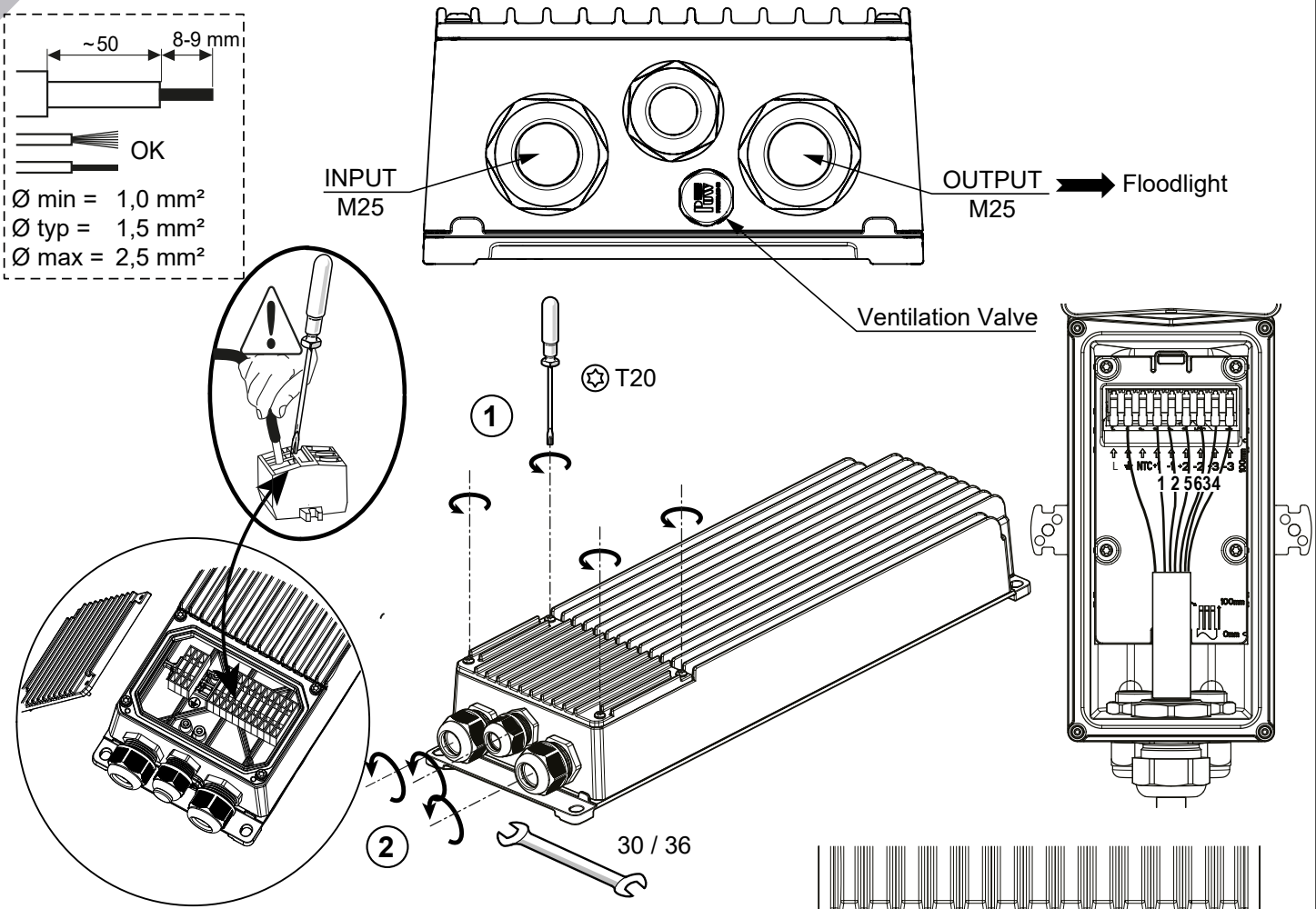
Do not connect

Recommended :
H07RNF 3G1.5 MM²



CABLE GLAND		
TYPE	ØMin	ØMax
M20	6.3 mm	11.3 mm
M25	10 mm	16.3 mm

The wiring should follow label marking instruction, Otherwise the product could be damaged or the fonctions could be affected. Each set of + or - are not potential identical, cross connection is prohibited.

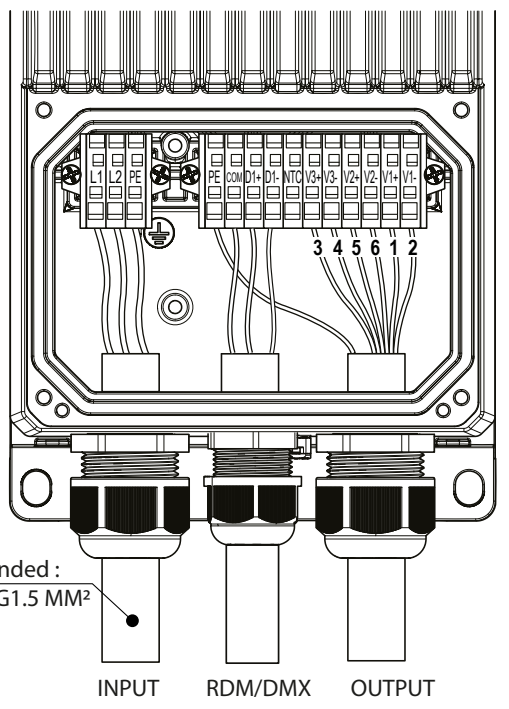


Extreme caution : Do not connect any LED CONNECTION wire (high voltage) inside NTC connector !! It could result in a critical failure and damage irreversibly the ALTIS luminaire

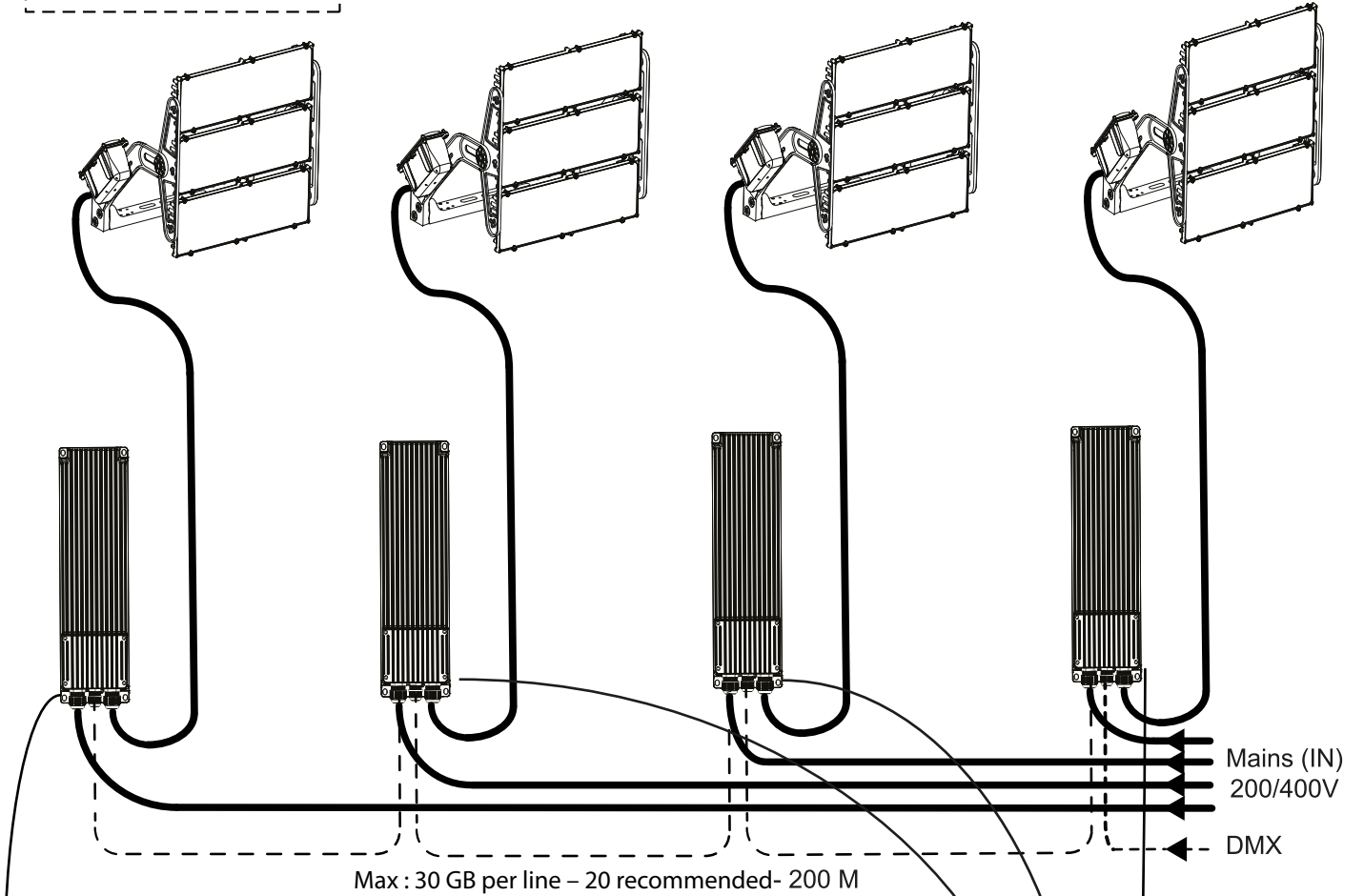
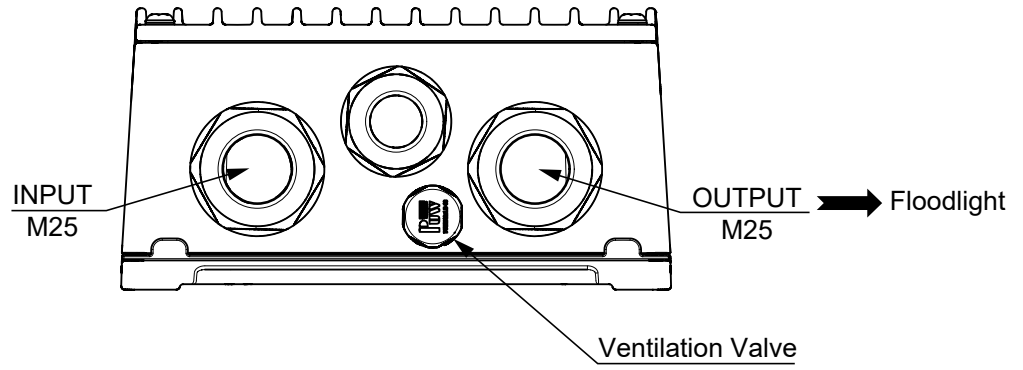
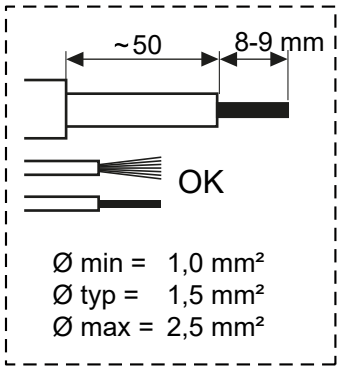
PINOUT		
Number	Label	Description
	L1	AC INPUT
	L2	AC INPUT
	PE	PROTECTIVE EARTH
	PE	PE FOR LED MODULE
	COM	RDM/DMX INPUT
	DA+	RDM/DMX INPUT
	DA-	RDM/DMX INPUT
	NTC	THERMINALPROTECTION FOR LED FIXTURE
1	+1	LED1+CONNECTION (TOP Brick)
2	-1	LED1-CONNECTION (TOP Brick)
5	+2	LED2+CONNECTION (MID Brick)
6	-2	LED2-CONNECTION (MID Brick)
3	+3	LED3+CONNECTION (BOT Brick)
4	-3	LED3-CONNECTION (BOT Brick)

Recommended :
H07RNF 3G1.5 MM²

Do not connect

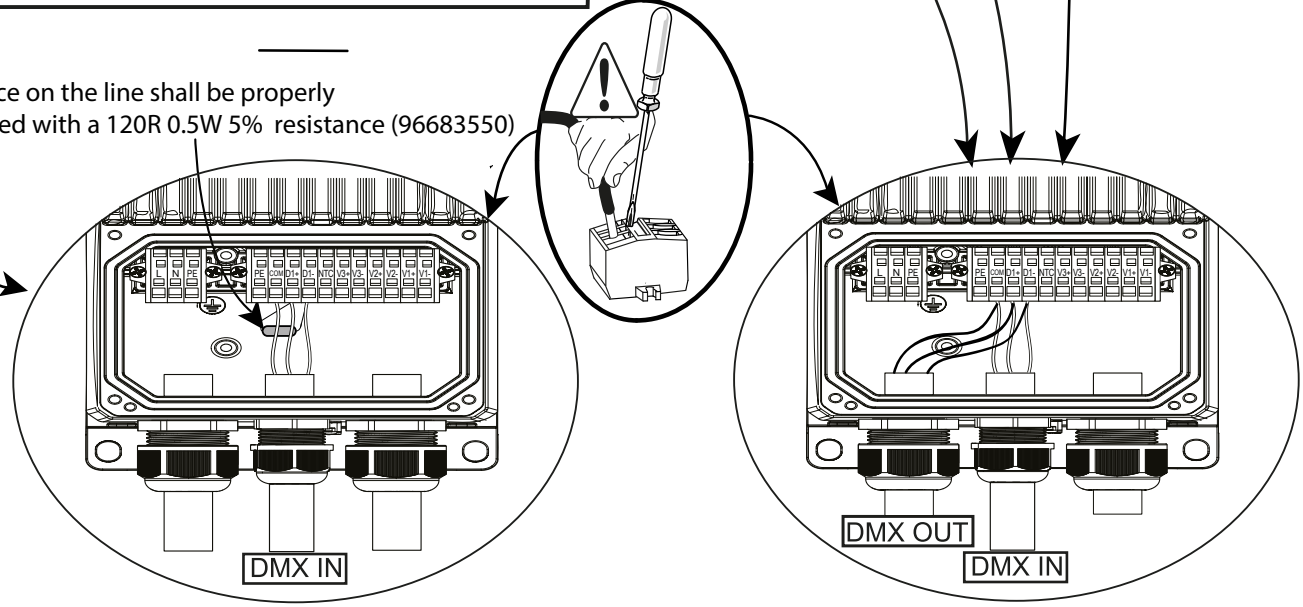


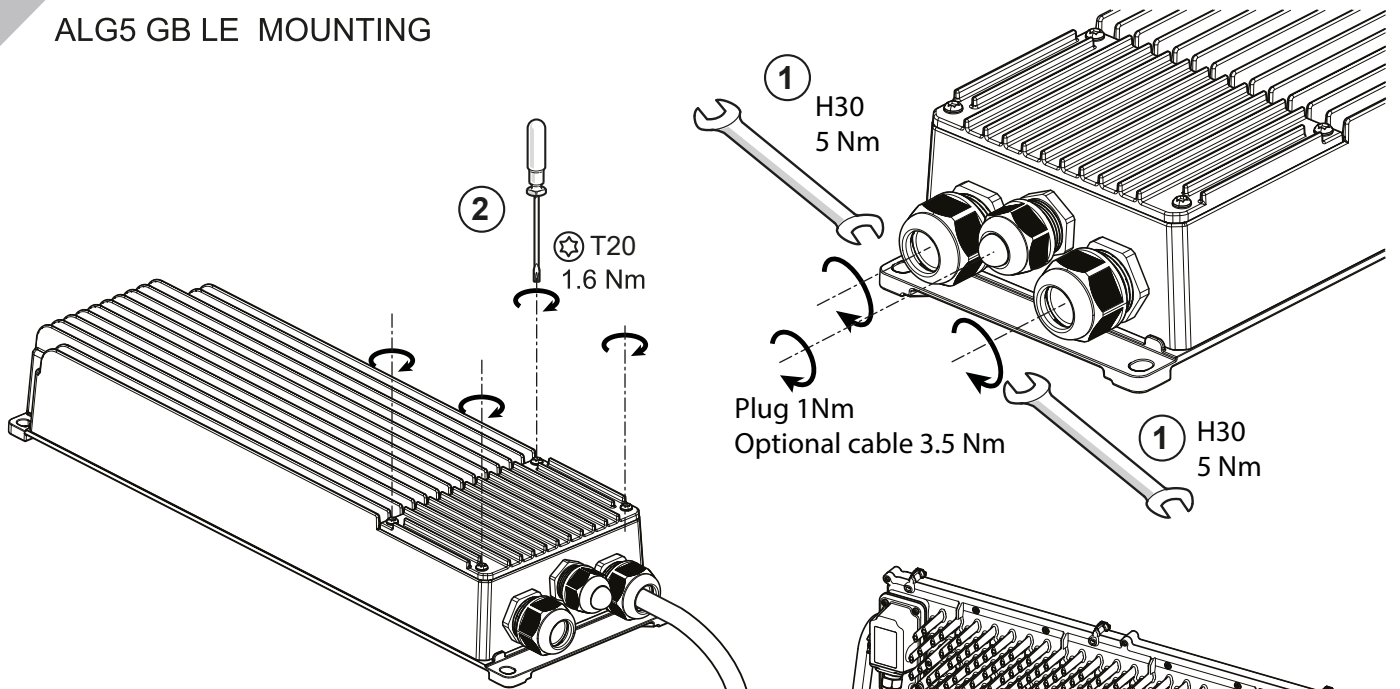
CABLE GLAND		
TYPE	ØMin	ØMax
M20	6.3 mm	11.3 mm
M25	10 mm	16.3 mm



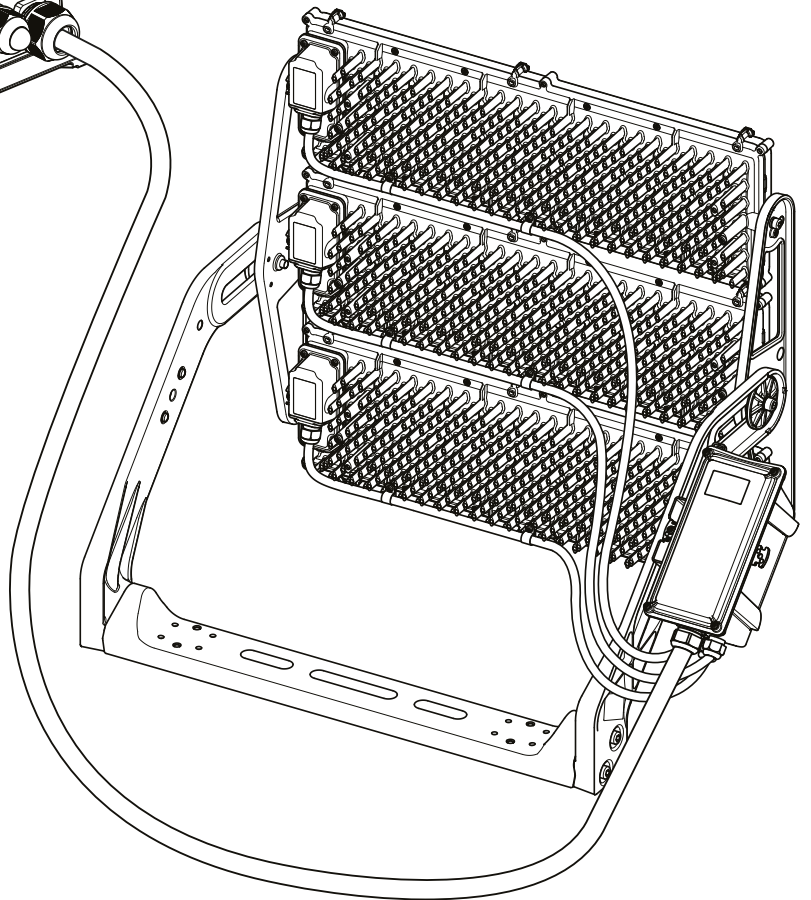
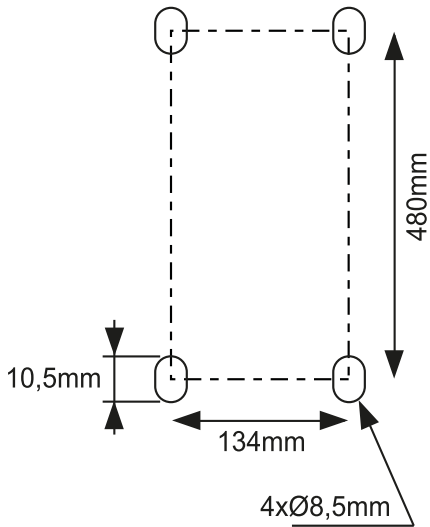
« DMX-RDM wiring shall respect ANSI E1.11 and AINSI E1.20 installation rules ».

Last device on the line shall be properly terminated with a 120R 0.5W 5% resistance (96683550)





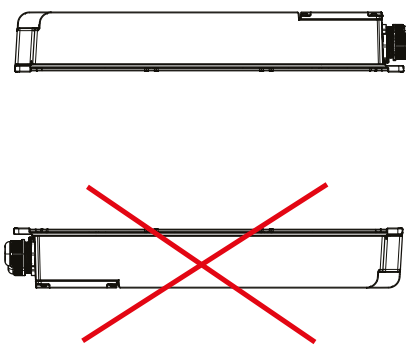
Drilling recommendation:



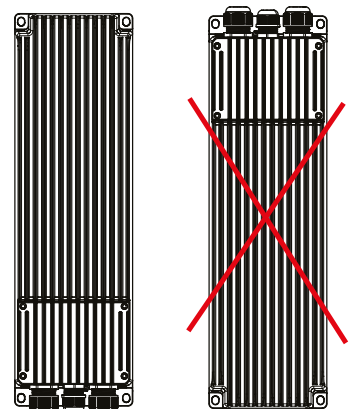
HORIZONTAL



LATERAL / SIDE



VERTICAL



ALG5 GB LE / 200-250 Vac - ALG5 GB LE /250-440 Vac

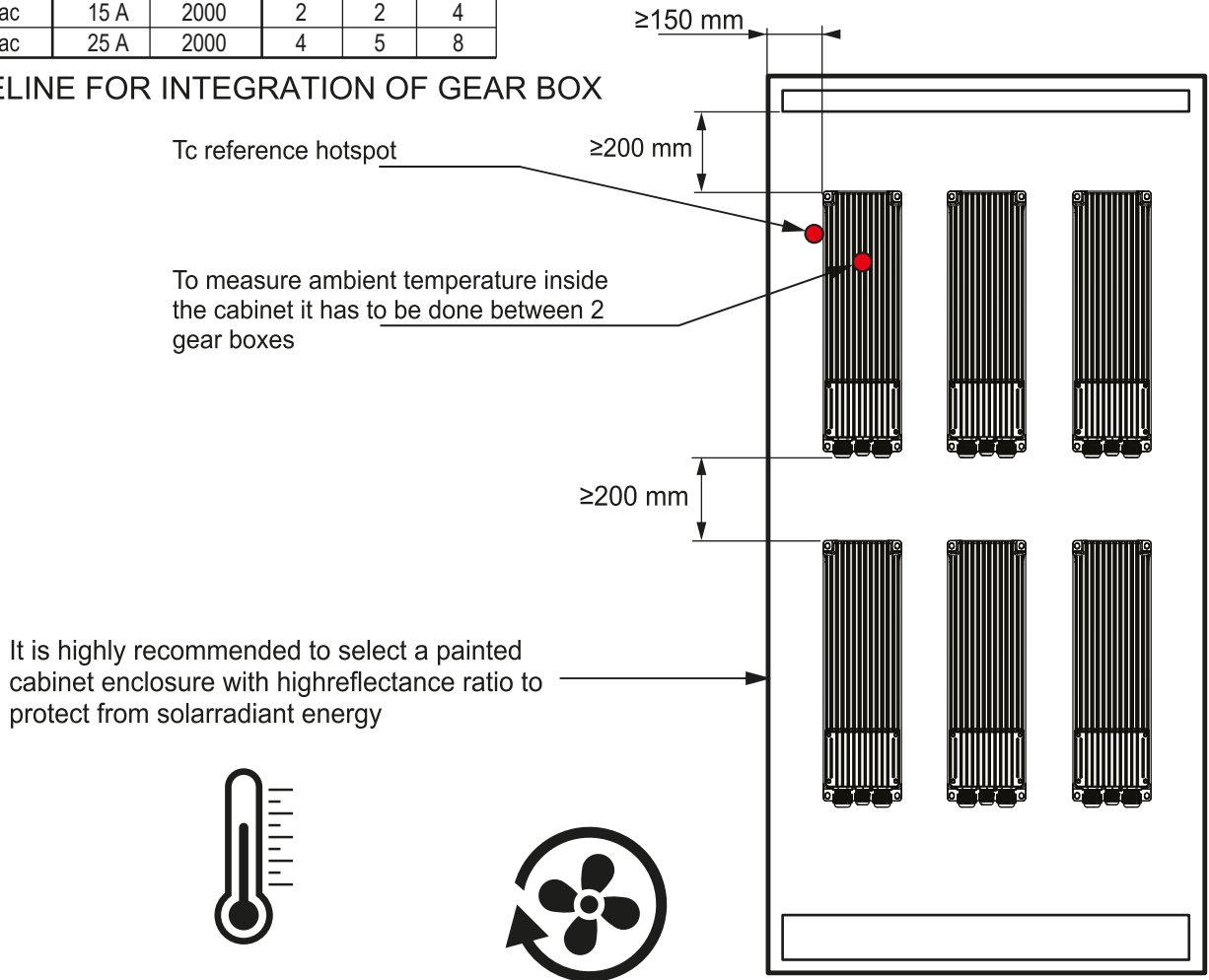
Drivers for each circuit breaker

Referring to the circuit breakers available on the market, the maximum number on the driver connectable for each circuit breaker is as the following table.

V in Nominal	Inrush Current Data		# Drivers for each Circuit Breaker										
	I peak (A)	Half Value Time (µs)	Type B 10A	Type B 16A	Type B 20A	Type B 25A	Type B 32A	Type B 40A	Type B 63A	Type C 10A	Type C 16A	Type C 20A	Type C 25A
230Vac	15 A	2000	0	1	1	1	2	2	4	0	1	1	1
400Vac	25 A	2000	1	1	2	2	3	4	6	1	2	2	3

V in Nominal	Inrush Current Data		Type C		
	I peak (A)	Half Value Time (µs)	32A	40A	63A
230Vac	15 A	2000	2	2	4
400Vac	25 A	2000	4	5	8

GUIDELINE FOR INTEGRATION OF GEAR BOX



If you cannot follow instructions included in previous section regarding gear box integration, you have to measure Tc reference point taking into consideration that measures must be down to Tc_max

Tc Reference at Max Ambient			
Position	Horizontal	Vertical	Side
Mounting			
230Vac	85°C	84°C	85°C (Ref.)
400Vac	80°C	77°C	80°C (Ref.)
Ambient Max	50°C	50°C	50°C (Ref.)

Aiming Device

96671487	ALTIS G4/G5 AIMING DEVICE WITH VISOR
96671488	ALTIS G4/G5 AIMING DEVICE BRACKET

ALTIS LED AIMING DEVICE THORN

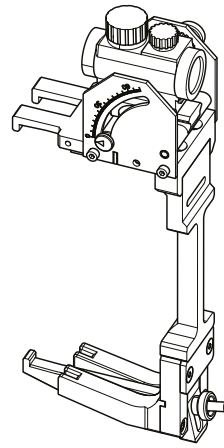
UK Installation instructions FI Asennusohje LV Instalācijas instrukcijas
 DE Montageanleitung FR Notice de montage NO Monteringsanvisning
 CZ Montážní návod HU Szerelési útmutató PL Instrukcja montażu
 DK Monteringsvejledning IT Istruzioni di montaggio SE Installationsanvisning
 EE Paigaldusjuhend LT Montavimo instrukcija RU ИНСТРУКЦИЯ ПО МОНТАЖУ

ALTIS LED AIMING DEVICE

⚠ Don't forget to switch off the aiming device between each setup.

- 2x Aiming device
- 2x Strap
- 2x Cleaning cloth
- 2x Lens caps
- 4x CR1620 battery
- 2x Allen wrench
- 2x Instruction leaflet

⚠ Aiming device should be attached with strap supplied in doing nose knot.



Louvres / Bird Deterrent

ALTIS LED THORN

UK Installation instructions FI Asennusohje LV Instalācijas instrukcijas
 DE Montageanleitung FR Notice de montage NO Monteringsanvisning
 CZ Montážní návod HU Szerelési útmutató PL Instrukcja montażu
 DK Monteringsvejledning IT Istruzioni di montaggio SE Installationsanvisning
 EE Paigaldusjuhend LT Montavimo instrukcija RU ИНСТРУКЦИЯ ПО МОНТАЖУ

TYPE: ALTIS LED G4/G5 ACCESSORIES

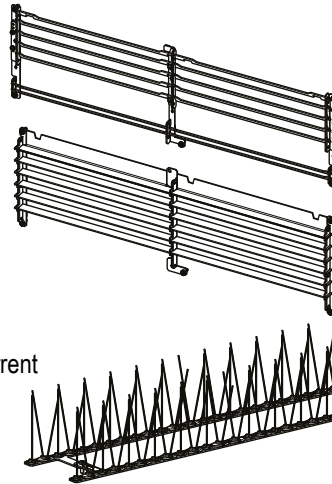
- Louvre A4/A5/A6
- Louvre NB/EB/MB/WB
- Bird Deterrent

Louvre A4/A5/A6/A6I

Louvre NB/EB/MB/WB



Bird Deterrent



96671492	ALTIS G4/G5 1 BRICK LOUVRE A4
96671493	ALTIS G4/G5 1 BRICK LOUVRE A5
96671494	ALTIS G4/G5 1 BRICK LOUVRE A6/A6I
96671496	ALTIS G4/G5 1 BRICK LOUVRE MB
96671495	ALTIS G4/G5 1 BRICK LOUVRE NB/EB
96671497	ALTIS G4/G5 1 BRICK LOUVRE WB

96671489 ALTIS G4/G5 BIRD DETERRENT

Visor

ALTIS LED THORN

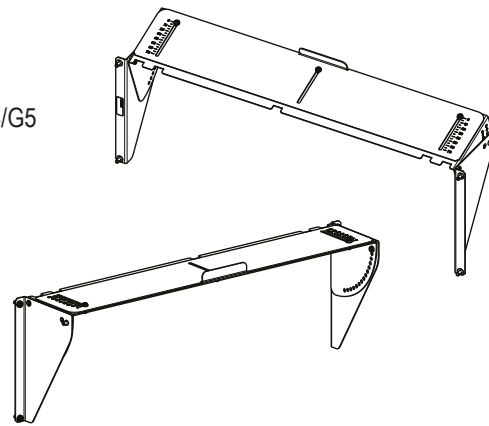
UK Installation instructions FI Asennusohje LV Instalācijas instrukcijas
 DE Montageanleitung FR Notice de montage NO Monteringsanvisning
 CZ Montážní návod HU Szerelési útmutató PL Instrukcja montażu
 DK Monteringsvejledning IT Istruzioni di montaggio SE Installationsanvisning
 EE Paigaldusjuhend LT Montavimo instrukcija RU ИНСТРУКЦИЯ ПО МОНТАЖУ

TYPE: ALTIS G4/G5 ACCESSORIES

ALTIS G4/G5 VISOR

96671498 ALTIS G4/G5 1 BRICK AJ VISOR

Visor G4/G5



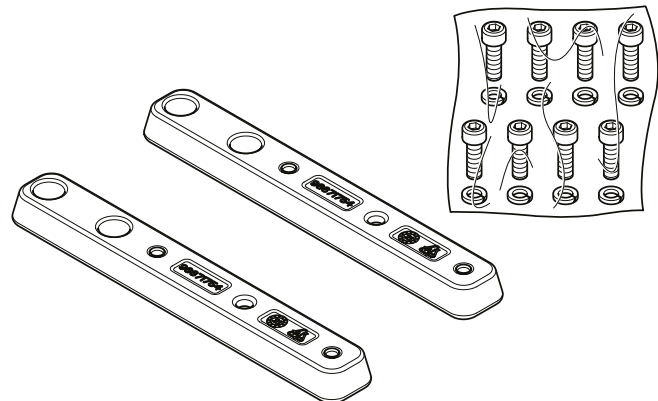
Power supply support

ALTIS LED THORN

UK Installation instructions FI Asennusohje LV Instalācijas instrukcijas
 DE Montageanleitung FR Notice de montage NO Monteringsanvisning
 CZ Montážní návod HU Szerelési útmutató PL Instrukcja montażu
 DK Monteringsvejledning IT Istruzioni di montaggio SE Installationsanvisning
 EE Paigaldusjuhend LT Montavimo instrukcija RU ИНСТРУКЦИЯ ПО МОНТАЖУ

TYPE: ALTIS G4/G5 ACCESSORIES

96671490 ALTIS G4/G5 GB BRACKET 3 BRICK STIRRUP

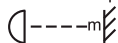


FRANCAIS

- Remplacer toute protection fissurée.
- Les luminaires classe II doivent être installés de façon à ce que la partie métallique ne soit pas en contact avec l'installation électrique connectée à la terre.

ATTENTION: Les luminaires classe I doivent être reliés à la terre.

- Ce luminaire fonctionne à une tension nominale qui doit être coupée avant toute intervention sur l'appareillage.
- Toute modification de cet appareil est interdite.
- Respecter la distance minimale par rapport aux objets éclairés définie par ce sigle.

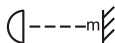


SVERIGE

- Ersätta alla spräckta skyddsplåtar.
- Klass II armaturer måste installeras så att nakna metalldelar i armaturen inte är i kontakt med någon elektrisk installation, kopplad till en skyddledare.

VARNING: Klass I armaturer måste vara jordade.

- Denna armatur fungerar med högspänning som måste vara frånslagen före ingripande i driftdonen.
- Alla ändringar i denna armatur är förbjuden.

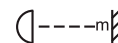


ITALIANO

- Sostituire sempre tutte le protezioni danneggiate.
- Gli apparecchi in classe II devono essere installati in modo che le parti metalliche non siano in contatto con apparati elettrici collegati a terra.

ATTENZIONE: Gli apparecchi in class I devono essere collegati a terra.

- Questo apparecchio funziona a tensione nominale, questa deve essere interrotta prima di ogni intervento sul gruppo di alimentazione.
- Ogni modifica dell' apparecchio è proibita.

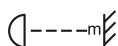


ENGLISH

- Replace any cracked protective shield.
- Class II luminaires must be installed so that exposed metal work of the luminaire is not in contact with any part of the electrical installation connected to a protective conductor.

WARNING: Class I luminaires must be earthed.

- This luminaire operates at mains voltage which must be switched off before intervention in control gear.
- Any modification to this luminaire is forbidden.
- Lighted objects nearer than the minimal distance in the is forbidden.

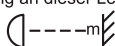


DEUTSCH

- Ersetze jede gebrochene Schutzscheibe.
- Schutzklasse II Leuchten müssen so installiert werden, daß berührbare Metallteile nicht mit einem, an dem Schutzleiter angeschlossenen Teil der elektrischen Installation in Kontakt kommen können.

ACHTUNG: Schutzklasse I Leuchten müssen geerdet sein.

- Diese Leuchte wird mit Netzspannung betrieben, Bevor Eingriffe am Vorschaltgerät vorgenommen werden sowie vor Wartung und Installation, ist die Versorgungsspannung abzuschalten.
- Jede Änderung an dieser Leuchte ist verboten.

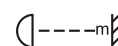


SUOMI

- Rikkoontunut suojalasi vaihdettava välittömästi uutsen vastaavaan.
- Asennettaessa suojausluokan II valaisinta on peruseristetyin johdon ja kosketeltavien metalliosien välinen kosketus tehokkaasti eristettävä.

VAROITUS: Suojausluokan I valaisin täytyy maadoittaa.

- Verkköjännite on kytkettävä pois ennen valaisimen huoltotoimenpiteitä.
- Valaisimen rakennetta ei saa muuttaa.



Thorn Lighting is constantly developing and improving its products. The right is reserved to change specifications without prior notification or public announcement.

© Thorn Lighting



- To ensure maintaining the best system performances, we advice to switch on the system "At least one night hour per month".
- corrosion environment from C1 to C5 according to standard ISO9223 except gear box ALG4 GB LE corrosion environment from C1 to C3