

Type: **M22-DP-Y**
 Article No.: **216718**



Front ring: gold-plated [274150](#) M22-FR-AU

Ordering information

Front ring			Front ring: titanium
Function			Spring-return
Protection type			IP67, IP69K

Button plate



Colour



Notes concerning the product group

Front ring gold-plated, → [274150](#)

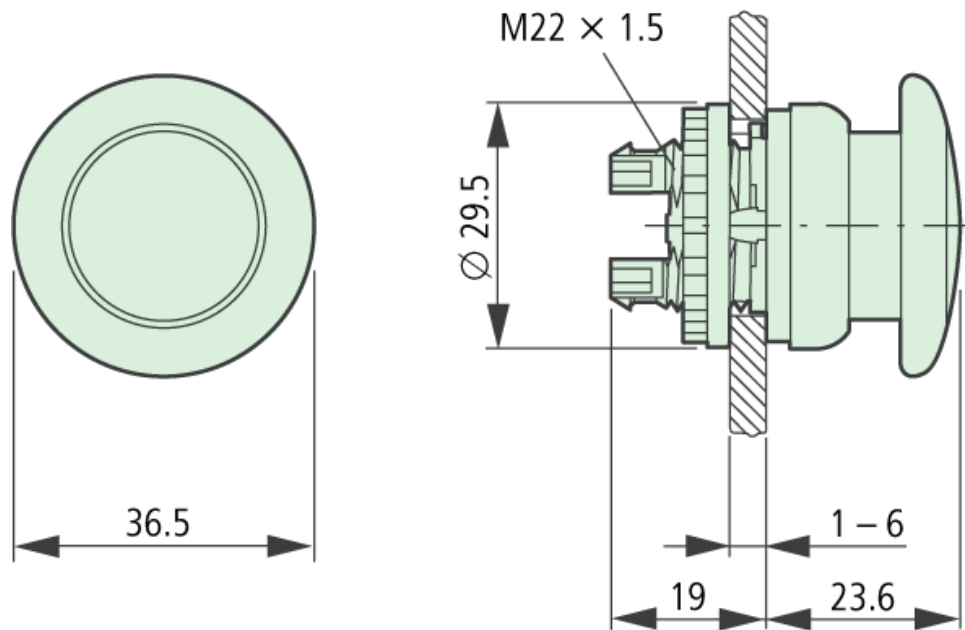
General

Standards			IEC/EN 60947 VDE 0660
Lifespan, mechanical	Operations	$\times 10^6$	> 5
Operating frequency	Operations/h		3600
Operating force		n	5
Degree of protection, IEC/EN 60529			IP67, IP69K
Climatic proofing			Damp heat, constant, to IEC 60068-2-78 Damp heat, cyclic, to IEC

			60068-2-30
Ambient temperature			
Open		°C	-25/70
Mounting position			As required
Mechanical shock resistance according to IEC 60068-2-27 Shock duration 11 ms, half-sinusoidal		g	> 30

Dimensions

Dimensions



Moeller GmbH, Hein-Moeller-Str. 7-11, D-53115 Bonn

E-Mail: catalog@moeller.net, Internet: www.moeller.net, <http://catalog.moeller.net>

Copyright 2006 by Moeller GmbH. Subject to modifications. HPL-C2006GB-INT V2.3