

60mm sq.

San Ace 60



(Ribless model depicted)



General Specifications

- Material Frame: Plastics (Flammability: UL94V-0),
Impeller: Plastics (Flammability: UL94V-0)
- Expected Life Refer to specifications (L10:Survival rate:90% at 60°C ,
rated voltage, and continuously run in a free air state)
- Lead Wire ⊕red ⊖black (Sensor) yellow
- Storage Temperature -30°C to +70°C (Non-condensing)

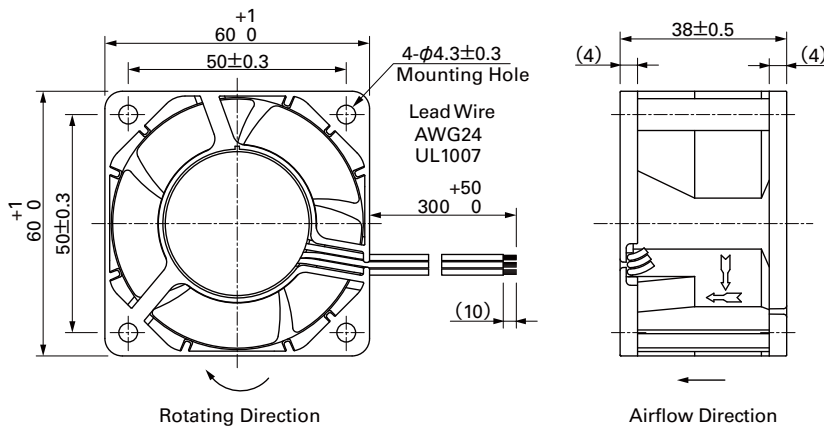
60×60×38mm (Mass : 110g) **9G type**

Specifications The following nos. **have pulse sensors and ribs.** For ribless, append "1" to the model no.

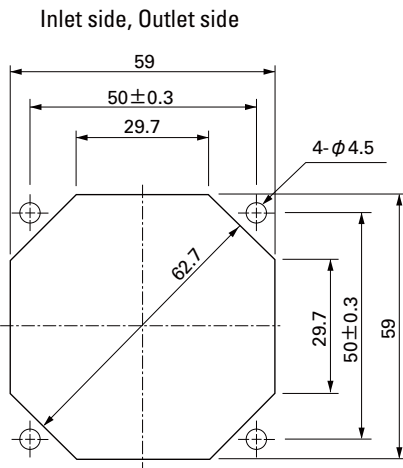
| Model No. | Rated Voltage [V] | Operating Voltage Range [V] | Rated Current [A] | Rated Input [W] | Rated Speed [min ⁻¹] | Max. Airflow [m ³ /min] [CFM] | Max. Static Pressure [Pa] [inchH ₂ O] | SPL [dB(A)] | Operating Temperature [°C] | Expected Life [h] |
|------------|-------------------|-----------------------------|-------------------|-----------------|----------------------------------|--|--|-------------|----------------------------|-------------------|
| 9G0612G101 | 12 | 7.0 to 13.8 | 1.54 | 18.5 | 11,800 | 1.84 65 | 435 1.747 | 58 | -20 to +70 | 40,000/60°C |
| 9G0612S101 | | | 1.36 | 16.3 | 10,800 | 1.70 60 | 370 1.486 | 56 | | |
| 9G0624G101 | 24 | 14.0 to 27.6 | 0.85 | 20.4 | 11,800 | 1.84 65 | 435 1.747 | 58 | | |
| 9G0624S101 | | | 0.70 | 16.8 | 10,800 | 1.70 60 | 370 1.486 | 56 | | |
| 9G0624H101 | 48 | 28 to 55.2 | 0.57 | 13.68 | 9,800 | 1.54 54.4 | 304.6 1.223 | 54 | | |
| 9G0648G101 | | | 0.35 | 16.8 | 11,800 | 1.84 65 | 435 1.747 | 58 | | |
| 9G0648S101 | 0.29 | 13.9 | 10,800 | 1.70 60 | 370 1.486 | 56 | | | | |

Models without sensors, or with lock sensors, or PWM control function are available as options. Please refer to the index (pp. 471 to 472).

Dimensions (unit: mm) (With ribs)



Reference Dimensions of Mounting Holes and Vent Opening (unit: mm)

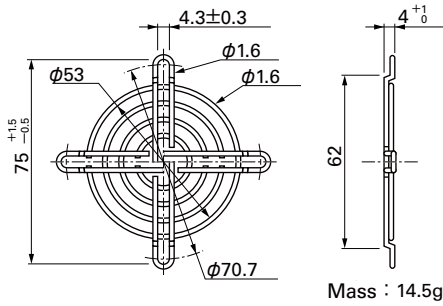


Options (unit: mm)

Finger Guards

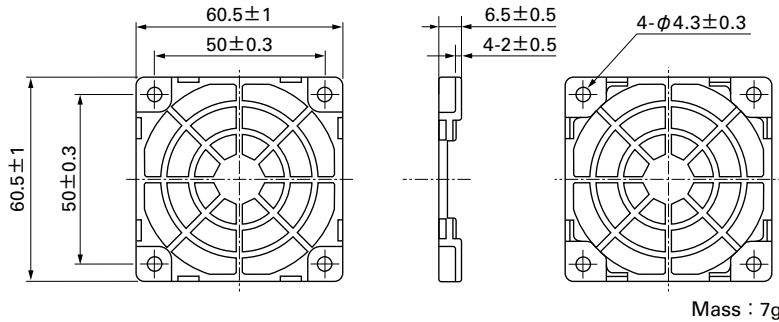
Model : 109-139E Surface treatment : Nickel-chrome plating (silver) Color : 109-139H : Cation electropainting (black)

Inlet side, Outlet side



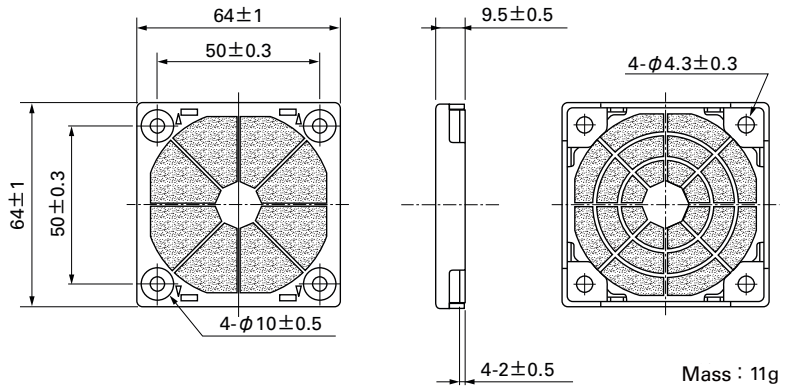
Resin Finger Guards

Model : 109-1003G

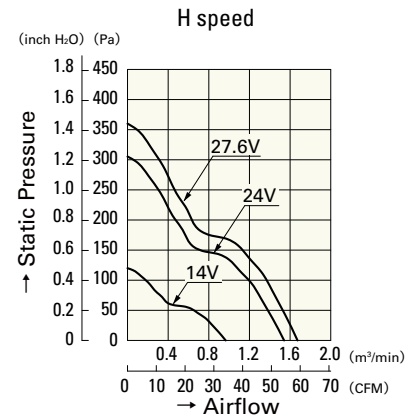
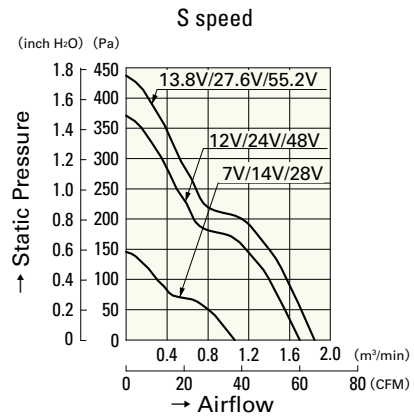
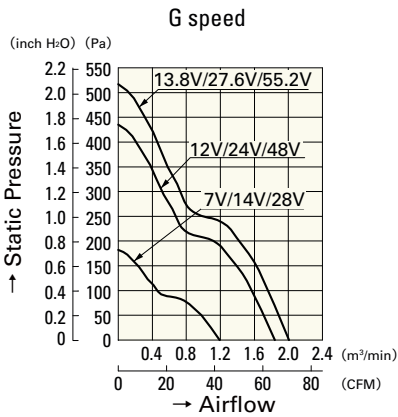


Resin Filter Kits

Model : 109-1003F13 (13PPI), 109-1003F20 (20PPI) : 109-1003F30 (30PPI), 109-1003F40 (40PPI)



Airflow - Static Pressure Characteristics



- 9G0612G101
- 9G0624G101
- 9G0648G101

- 9G0612S101
- 9G0624S101
- 9G0648S101

- 9G0624H101