



HF-Performer III for PL-T/C lamps

HF-P 1/218 PL-T/C III 220-240V

HF-Performer III PL-T/C is a sustainable, slim and high-frequency electronic ballast for PL-T and PL-C fluorescent lamps. It is ideal for applications where high energy efficiency is required. The HF-Performer III range has a robust design, meets all relevant international safety and performance standards and is energy efficient (CELMA EEI A2). The ballast is primarily designed for Indoor application. For outdoor application, the luminaire should be minimum Class II need to be sufficiently protected against water & dust. The installation should also be guard against any lightning surge or any other necessary electrical protection as deemed in such typical installation & application.

Product data

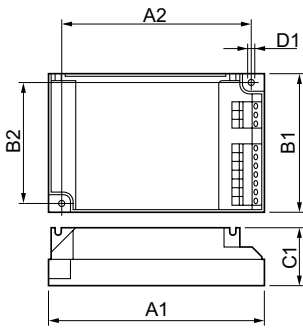
Operating and Electrical		T-Case Lifetime (Nom)	75 °C
Input Voltage	220 to 240 V	T-Case Maximum (Max)	75 °C
Line Frequency	50 to 60 Hz	Mechanical and Housing	
Input Frequency	50 to 60 Hz	Housing	S 103x67x30
Inrush Current Width	0.250 ms	Approval and Application	
Inrush Current Peak (Max)	18 A	Ingress protection code	IP20 [Finger-protected]
Number of Products on MCB (16A Type B) (Nom)	28	Energy Efficiency Index	A2 BAT
Wiring		Safety Standard	IEC 61347-2-3
Connector Type Input Terminals	Insert	Environmental Standard	ISO 14001
Connector Type Output Terminals	Insert	Approval Marks	CE marking ENEC certificate VDE-EMV certificate
Cable Length From Device to Lamp	1 m	Product Data	
Temperature		Order product name	HF-P 1/218 PL-T/C III 220-240V
Ambient temperature range	-25 °C to 50 °C		

HF-Performer III for PL-T/C lamps

Full product name	HF-P 1/218 PL-T/C III 220-240V
Full product code	872790083417800
Order code	913700648666
Material Nr. (12NC)	913700648666
Numerator - Quantity Per Pack	1

EAN/UPC - Product/Case	8711500881038
Numerator - Packs per outer box	12
EAN/UPC - Case	8727900834178

Dimensional drawing



Product	D1	C1	A1	A2	B1	B2
HF-P 1/218 PL-T/C III 220-240V	4.2 mm	30.0 mm	103.8 mm	93.5 mm	67.8 mm	57.5 mm

