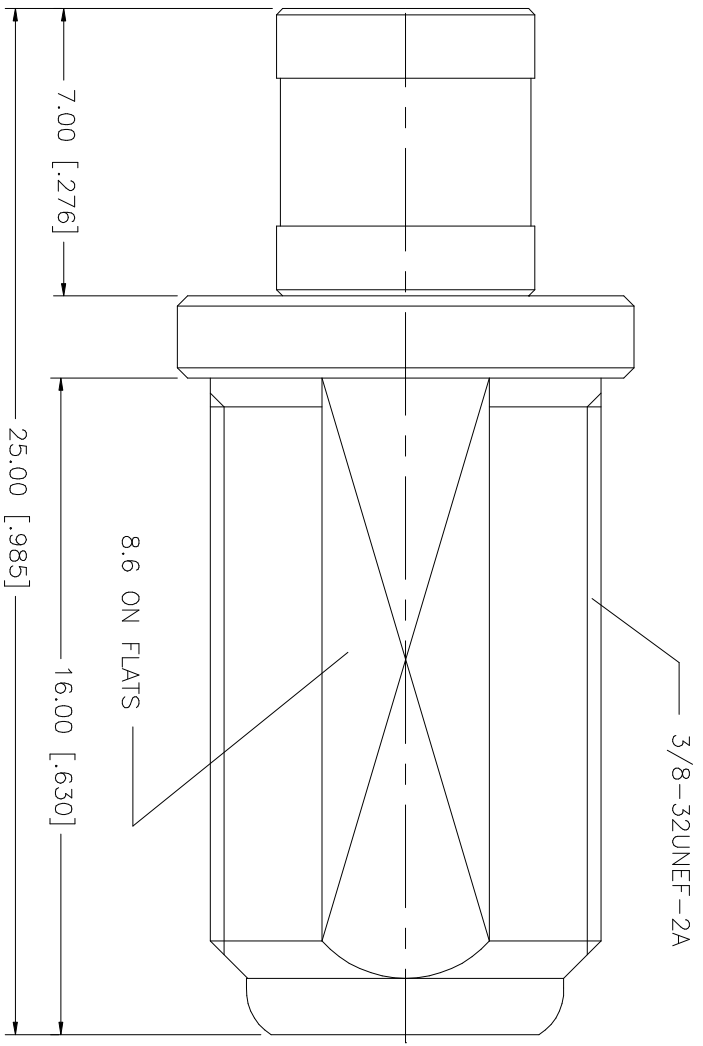


REV.	DATE	DESCRIPTION
NC	04/05/06	INITIAL RELEASE



NO.	DESCRIPTION	MATERIAL	FINISH	QTY	UNLESS OTHERWISE SPECIFIED DIMENSIONS ARE IN INCHES AND FOR CUSTOMER REFERENCE ONLY. TOLERANCES FOR MILLIMETERS ARE:	APPROVALS	DATE	DWG. NO.	REV.	SIZE	SCALE
8					0.5 - 8mm ± 0.20mm	APPROVALS DRAWN G.R.S. CHECKED ISSUED SHEET 1 OF 1	DATE 04/05/06	242223.DWG	NC	A	NA
7				8 - 30mm ± 0.40mm							
6				30 - 120mm ± 0.50mm							
5											
4											
3	CONTACT PIN	BER. COPPER	GOLD	1	UNLESS OTHERWISE SPECIFIED TOLERANCES FOR INCHES ARE: .020 - .315 = ± 0.007" .315 - 1.180 = ± 0.015" 1.180 - 4.724 = ± 0.020"	CAD FILE C:/242/242223.DWG	SMB PLUG TO F JACK ADAPTER	242223	NC	A	NA
2	INSULATOR	TEFLON	NATURAL	1							
1	BODY	BRASS	NICKEL	1							
	DESCRIPTION	MATERIAL	FINISH	QTY	DO NOT SCALE DRAWING						

Amphenol Connex