

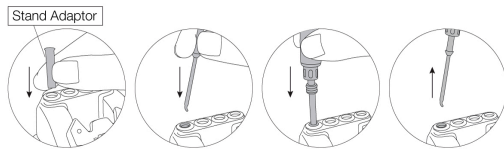
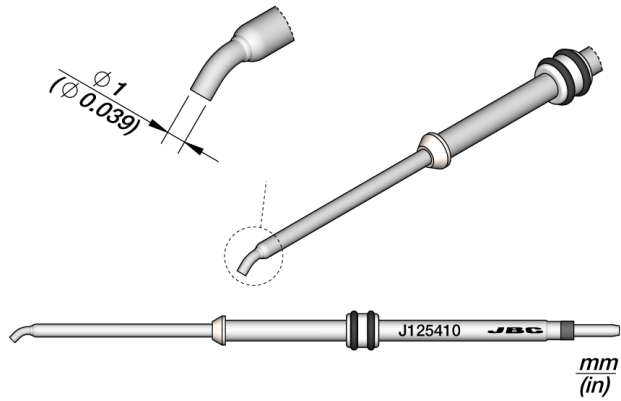
**JBC J125410****Bent Cartridge Ø 1 mm 45°**

J125410 Bent Cartridge is perfect to rework the smallest SMD components from 01005 up to SOIC-8 even under the magnifying glass.

It works with JNA High-Precision Hot Air Station which allows regulation of both flow and temperature at very low levels.

J125410 has an outlet diameter of 1 mm / 0.039 in.

0029216 Stand Adaptor is supplied with the cartridge to protect the bent tip when inserting it into the tool.

**REFERENCE****J125410****PRODUCT COMPOSITION**1 [Instruction Manual](#)**SPECIFICATIONS****WEIGHT AND DIMENSIONS**

2 gr (0.01 lb)

6 gr (0.01 lb)

130 x 45 x 7 mm

Copyright © 2024 JBC Soldering S.L. | [Legal Notice](#) | [Privacy Policy](#) | [Terms and Conditions](#) | [Cookie policy](#) | [Internal Communication](#) | [RSS Feed](#) | [JBC Store](#) | [Contact Us](#)

**CONNECTABLES****JNA****High-Precision Hot Air Station****Compatible tools****NH-A****High-Precision Heater Hose Set**