



CE

Model Number

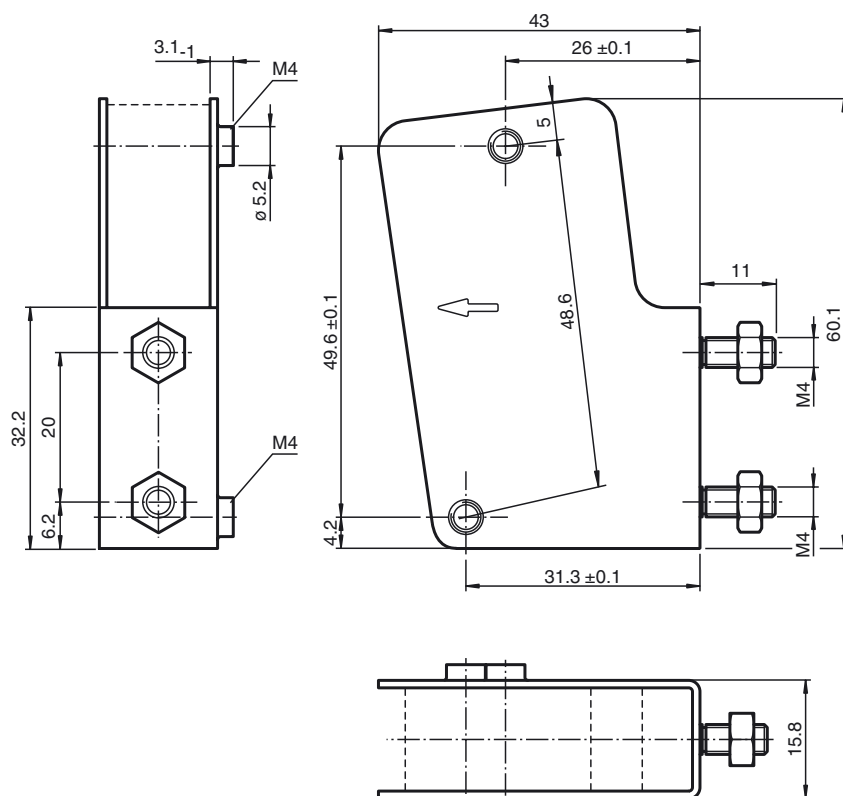
OMH-MLV41-8-HV-U

Mounting bracket

Features

- U-shaped mounting bracket
- Simple and fast mounting
- Suitable for MLV41-8-HV series sensors

Dimensions



Technical data

Mechanical specifications

Material	Stainless steel 1.4016
Mass	approx. 20 g
Mounting	Mounting accessories included

Suitable series

Series	MLV41
--------	-------