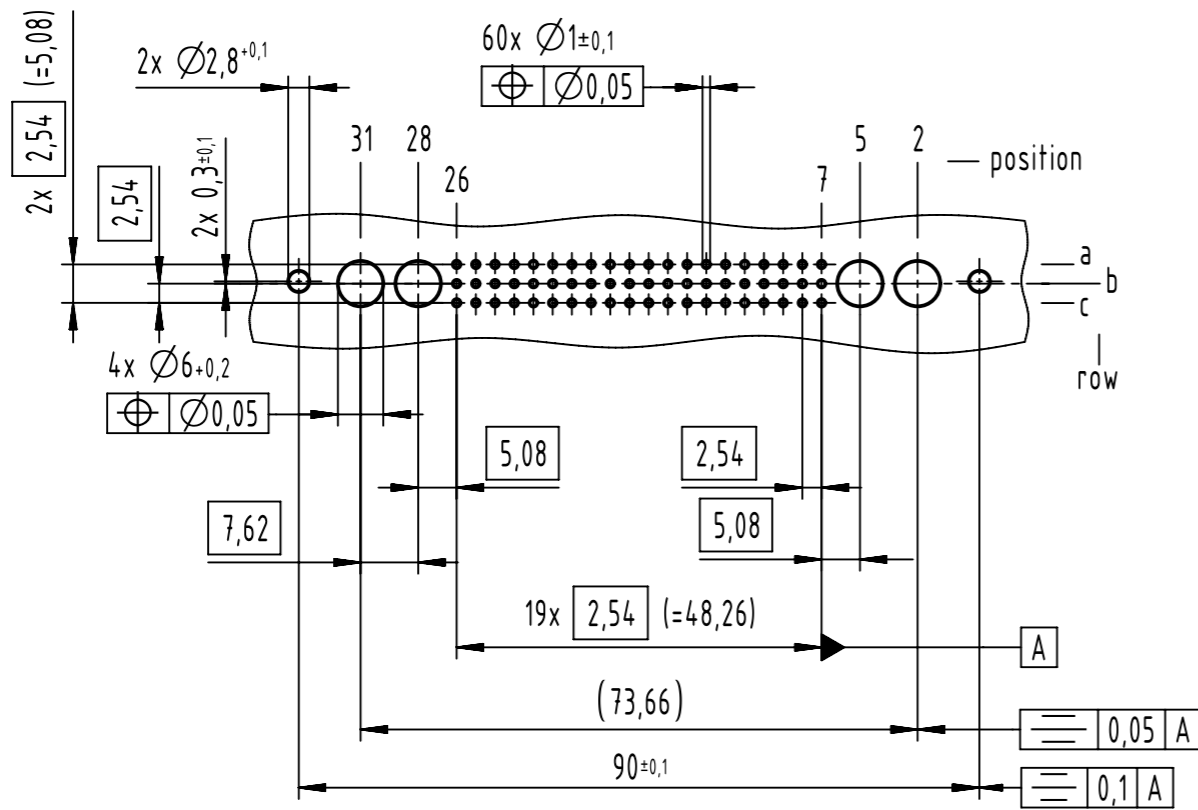
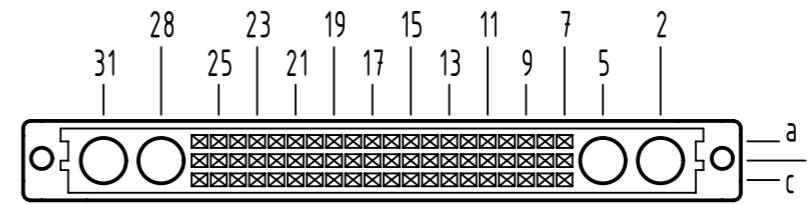


A
board drillings

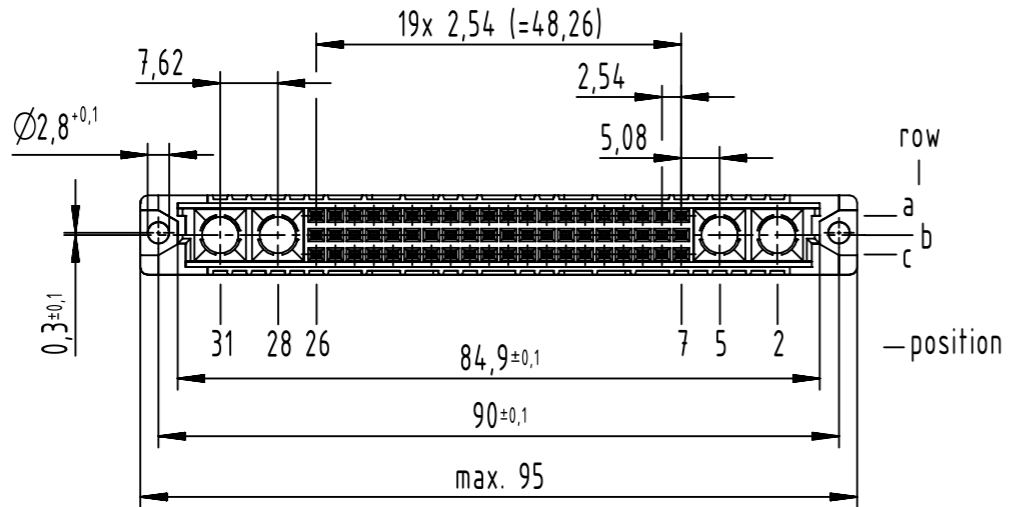
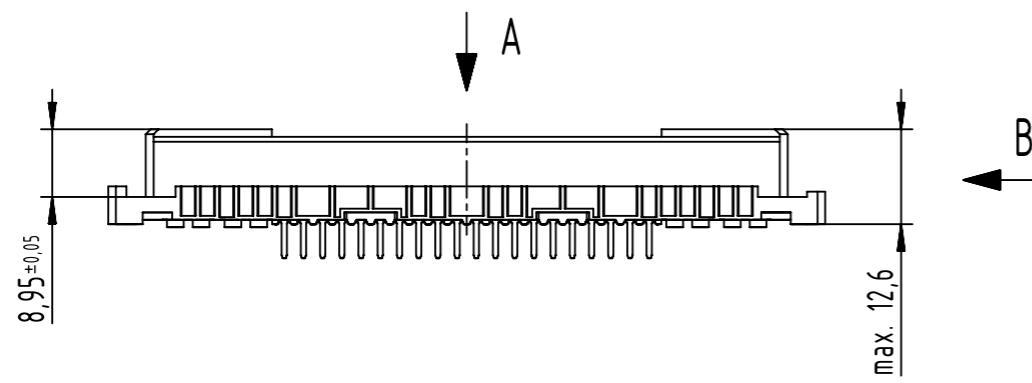
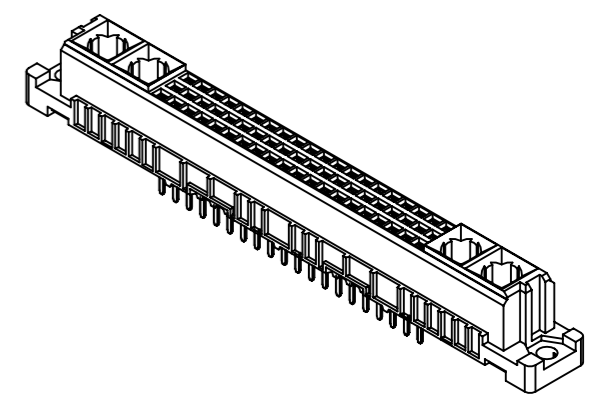
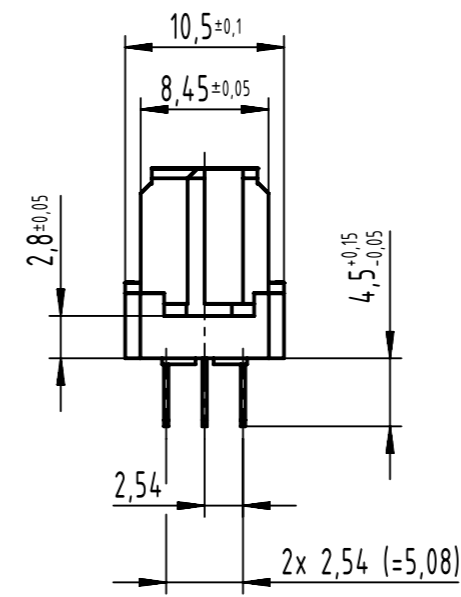


A
contact arrangement



60 solder contacts
 \otimes = solder contact
 \square = position without contact

B (2:1)



further information see product data sheet

09 03 260 6805	2
part no.	performance level

All rights reserved Department EL PD HARTING D-32339 Espelkamp	All Dimensions in mm Original Size DIN A3	Scale 1:1 Free size tol. IEC 60603-2	Ref. Sub.	Date 2021-09-22 State Final Release	Doc-Key / ECM-Nr. 100072218/UGD/055/E 500000202766
	Created by STORCK Inspected by LEHNERT Standardisation	Title DIN Signal type M60+4 female solder 4.5 60-pole		Rev. E Page 1/1	