

# Manual Unlock PV Connector

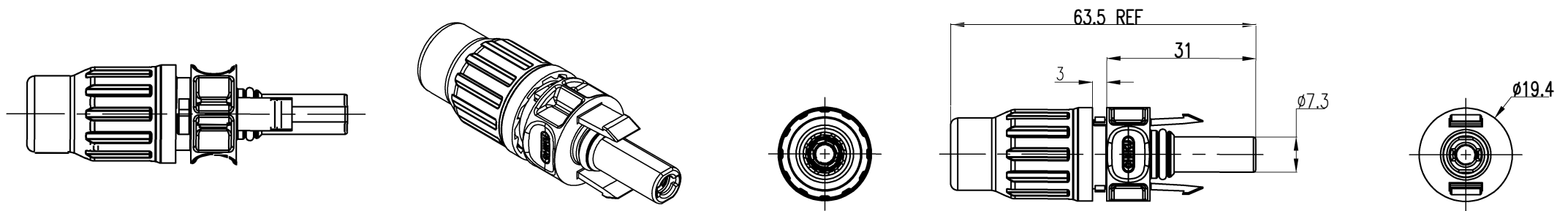


## Specification

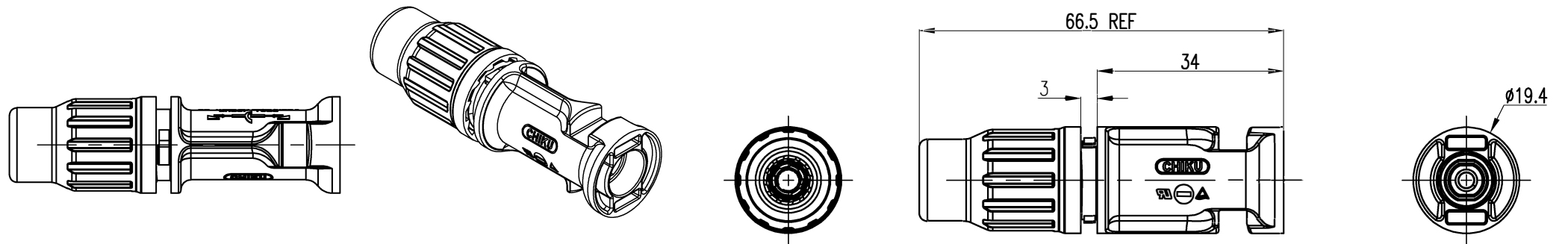
Applicable Terminal	10 mm <sup>2</sup>
Rated Current	50 A
Cable Size Range	8 AWG
Rated Voltage	1.5 kVDC
Contact Resistance	300 mOhm
Degree of Protection	IP68
Working Temperature	-40 ~ 105°C
Class of Pollution	Grade III
Flammability	UL94-V0

## Drawings

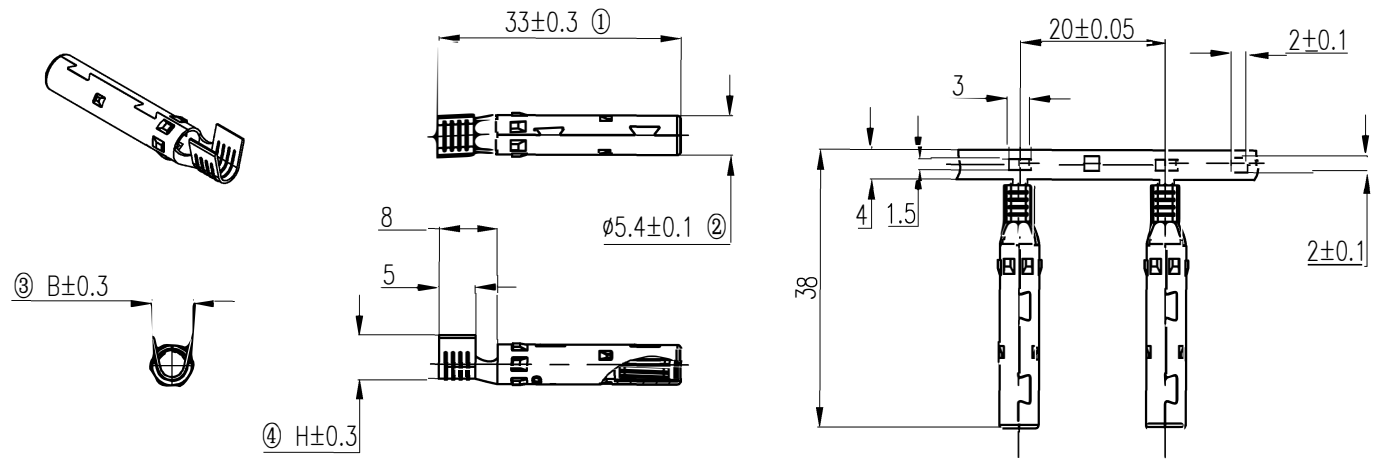
### Cable side Socket



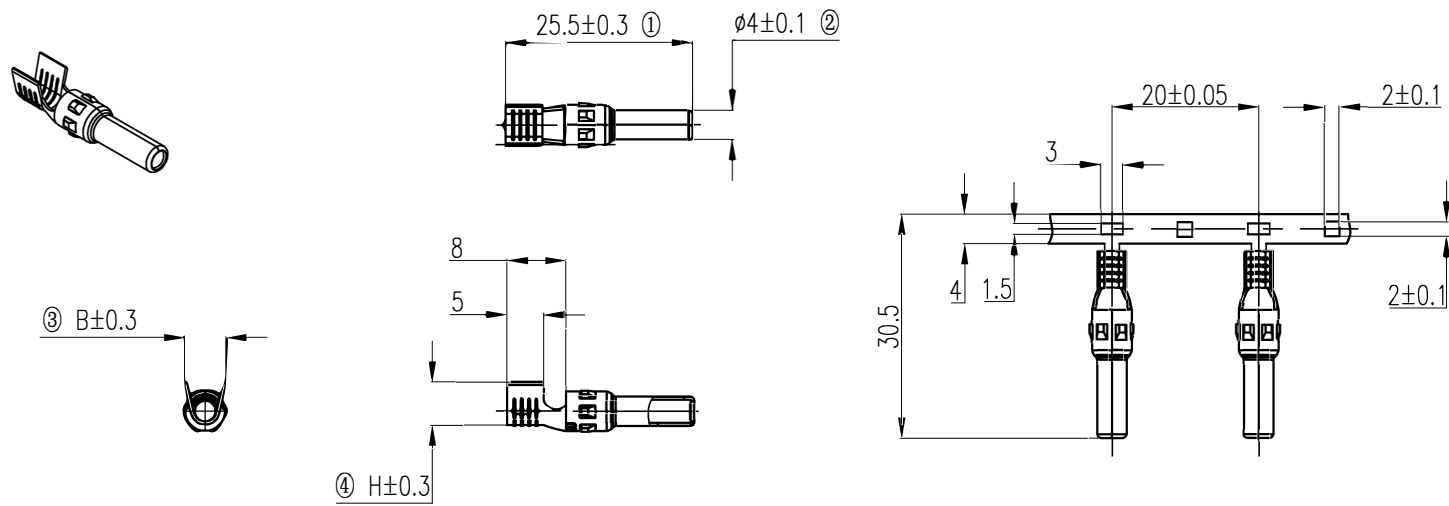
### Cable side Plug



### Terminal Socket



### Terminal Plug



Art. Nr.  
RND 205-01570