

Battery Holder, 20 mm

Applications

- Duracell, Eveready, Panasonic, Ray-O-Vac, Sanyo, Varta, Toshiba, Seiko and other major battery manufacturers
- Computer memory, power transfer and back-up systems
- Video and telecommunications power back-up
- Preprogrammed video and electronic games
- Microprocessors and microcomputer memory hold
- Notebook and laptop applications
- Emergency power systems
- Industrial and commercial security and alarm systems
- Communications power sources
- Miniaturized battery power devices



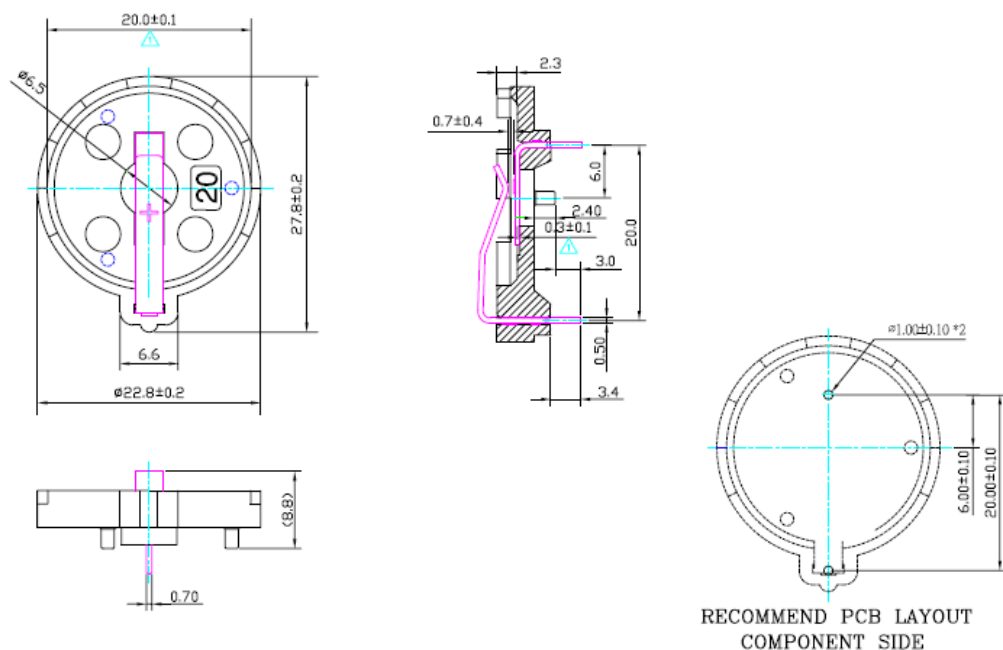
Specification

Output Voltage	3 V
Suitable Battery Model	CR2016/2020/2025/2032
Flash	0.25 mm
Camber	0.13 mm
Warp	0.13 mm

Material Specification

Housing Material	Glass Filled PBT
Contact Material	Phosphor Bronze
Contact Finish Material	Nickel Plated

Drawing



Art Nr.
RND 305-00035