

# GN 815.1 | Cylindrical-head threaded plungers

With hexagon socket, steel or stainless steel



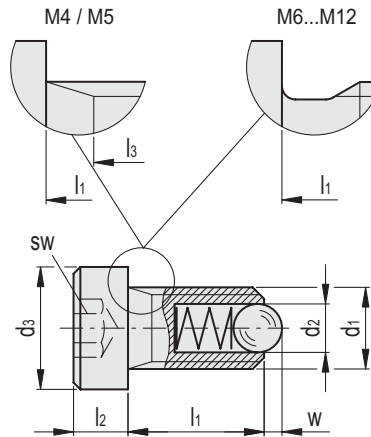
- 1
- 2
- 3
- 4
- 5
- 6
- 7
- 8
- 9
- 10
- 11
- 12
- 13
- 14
- 15
- 16
- 17
- 18

## STANDARD EXECUTIONS

- **GN 815.1-ST**: black-oxide steel body, hardened steel ball, steel spring.
- **GN 815.1-NI**: AISI 303 stainless steel body, AISI 420C hardened stainless steel ball, stainless steel spring.

## FEATURES AND APPLICATIONS

GN 815.1 plungers are used as stops or push elements.  
The collar provides an indication of the mounting position.



## GN 815.1-ST

Code	Description	d1	d2	d3	l1	l2	l3	sw	w	Spring preload [N]	Spring max load [N]	⚖
GN.34072	GN 815.1-M4-ST	M4	2.5	6	9	3	7.5	2	0.8	8	14	1
GN.34075	GN 815.1-M5-ST	M5	3	8	10	4	8.2	2.5	0.9	8	14	2
GN.34078	GN 815.1-M6-ST	M6	3.5	10	10	5	-	3	1	11	18	4
GN.34082	GN 815.1-M8-ST	M8	4.5	13	12.5	5.5	-	4	1.5	18	31	8
GN.34085	GN 815.1-M10-ST	M10	6	16	17	6	-	5	2	24	45	14
GN.34088	GN 815.1-M12-ST	M12	8	18	19	7	-	6	2.5	26	49	21

## GN 815.1-NI



Code	Description	d1	d2	d3	l1	l2	l3	sw	w	Spring preload [N]	Spring max load [N]	⚖
GN.34071	GN 815.1-M4-NI	M4	2.5	6	9	3	7.5	2	0.8	8	14	1
GN.34074	GN 815.1-M5-NI	M5	3	8	10	4	8.2	2.5	0.9	8	14	2
GN.34077	GN 815.1-M6-NI	M6	3.5	10	10	5	-	3	1	11	18	4
GN.34081	GN 815.1-M8-NI	M8	4.5	13	12.5	5.5	-	4	1.5	18	31	8
GN.34084	GN 815.1-M10-NI	M10	6	16	17	6	-	5	2	24	45	14
GN.34087	GN 815.1-M12-NI	M12	8	18	19	7	-	6	2.5	26	49	21

Indexing and positioning elements