

250 x 110 x 30 cm

98.4" x 43.3" x 11.8"

SIMONCLICK SUPERPLUS 6/300

5 Años Garantía
Years Guarantee
Jahre Garantie
Ans Garantie
Anos de Garantía
SIMONRACK



1200 kg
(2645 lb)
Total



Simon
Rack
SINCE 1964 - MANUFACTURER

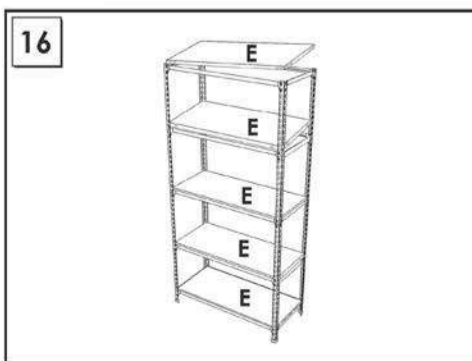
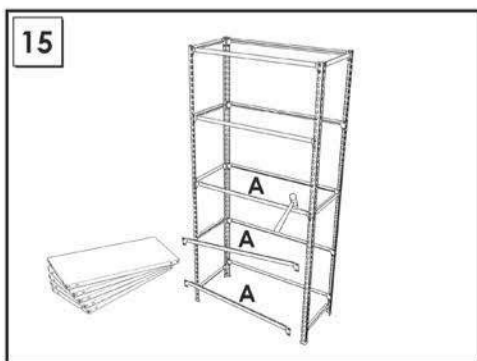
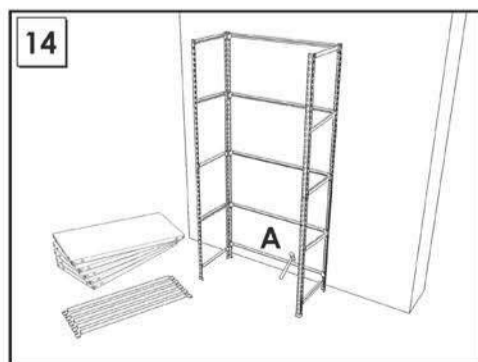
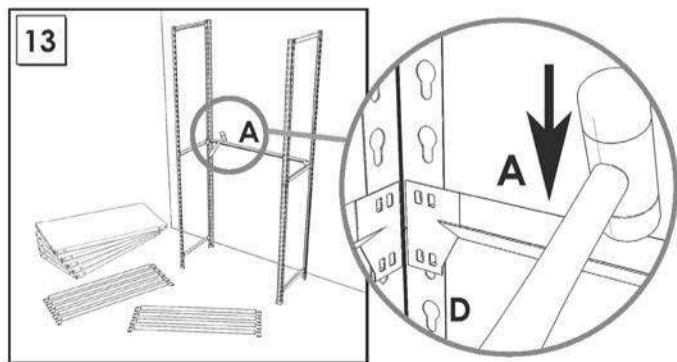
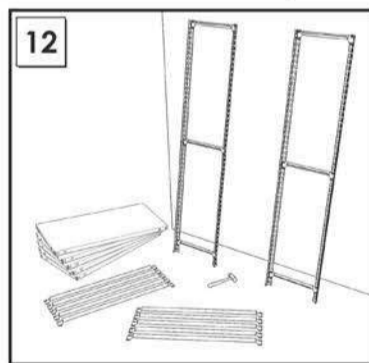
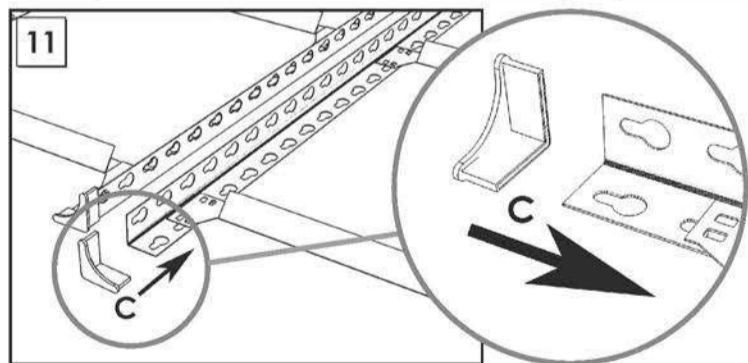
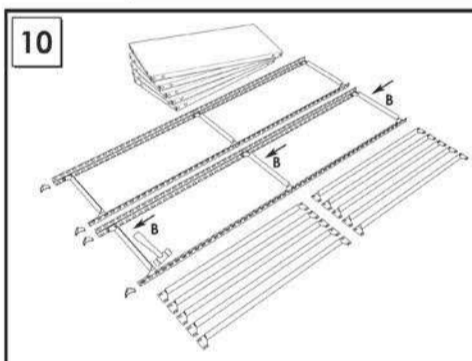
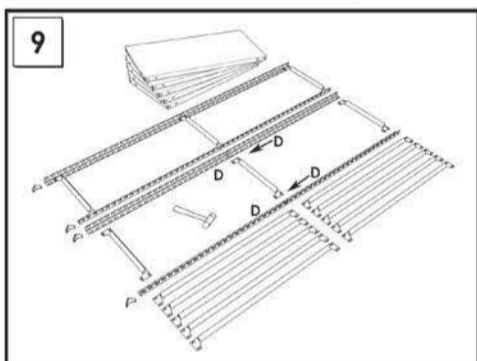
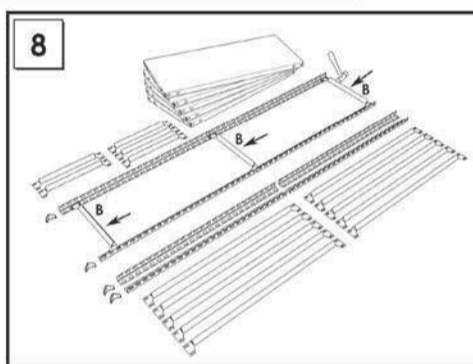
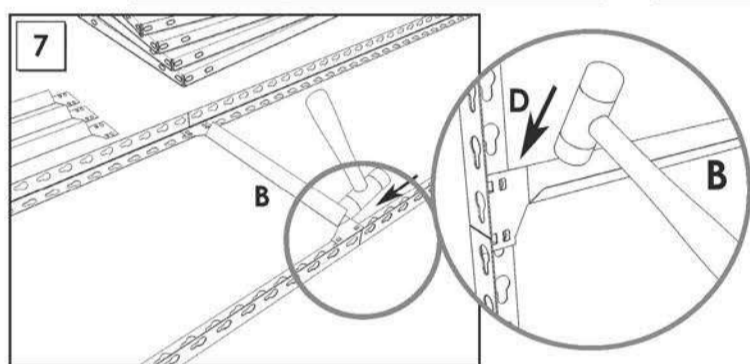
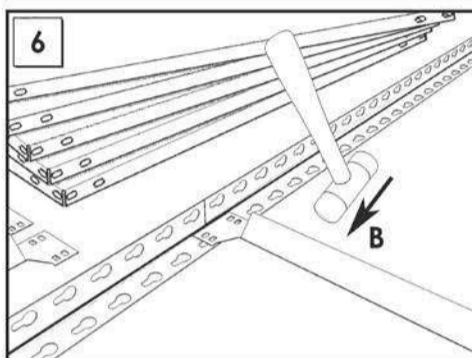
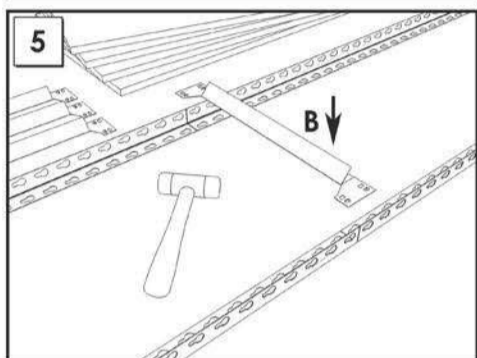
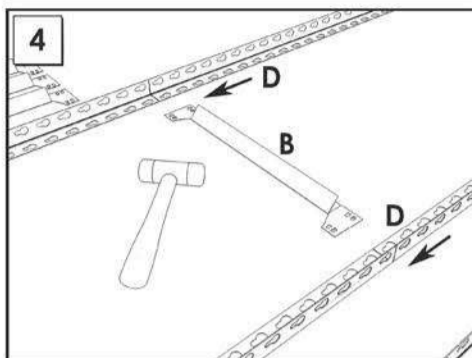
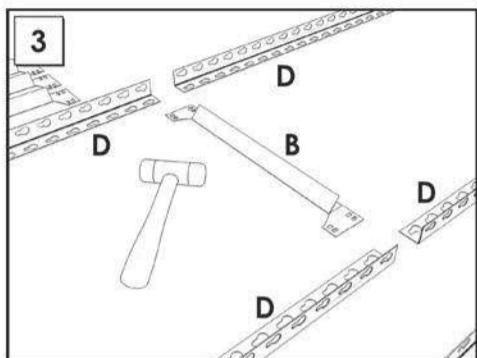
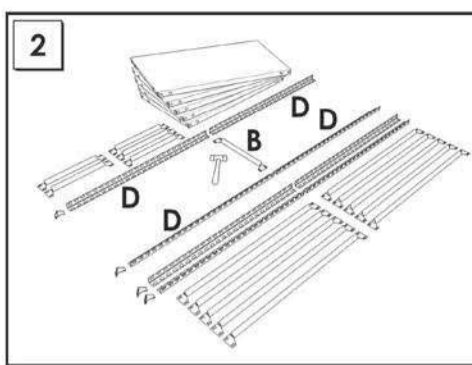
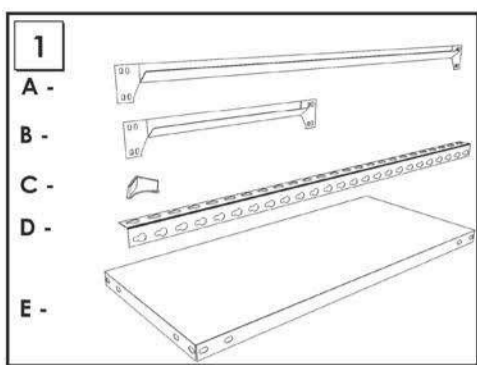
ESTANTERIAS SIMON S.L. B.50.556.463
PG. ALFAMEN C/ POLIGONO C, N°3
ALFAMEN (ZARAGOZA)



www.simonrack.com



INSTRUCTIONS



SIMONCLASSIC



SIMONCLICK



SIMONOFFICE



SIMONTALLER



BANCOS DE TRABAJO WORK BENCHES



SIMONHOME



TAQUILLAS LOCKER



SIMONTITÁN



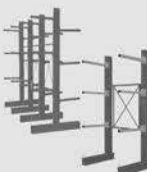
SIMONINOX



SIMONPALET



SIMONLEVER



ALTILLOS Y PASILLOS ELEVADOS PLATFORMS AND MEZZANINES

