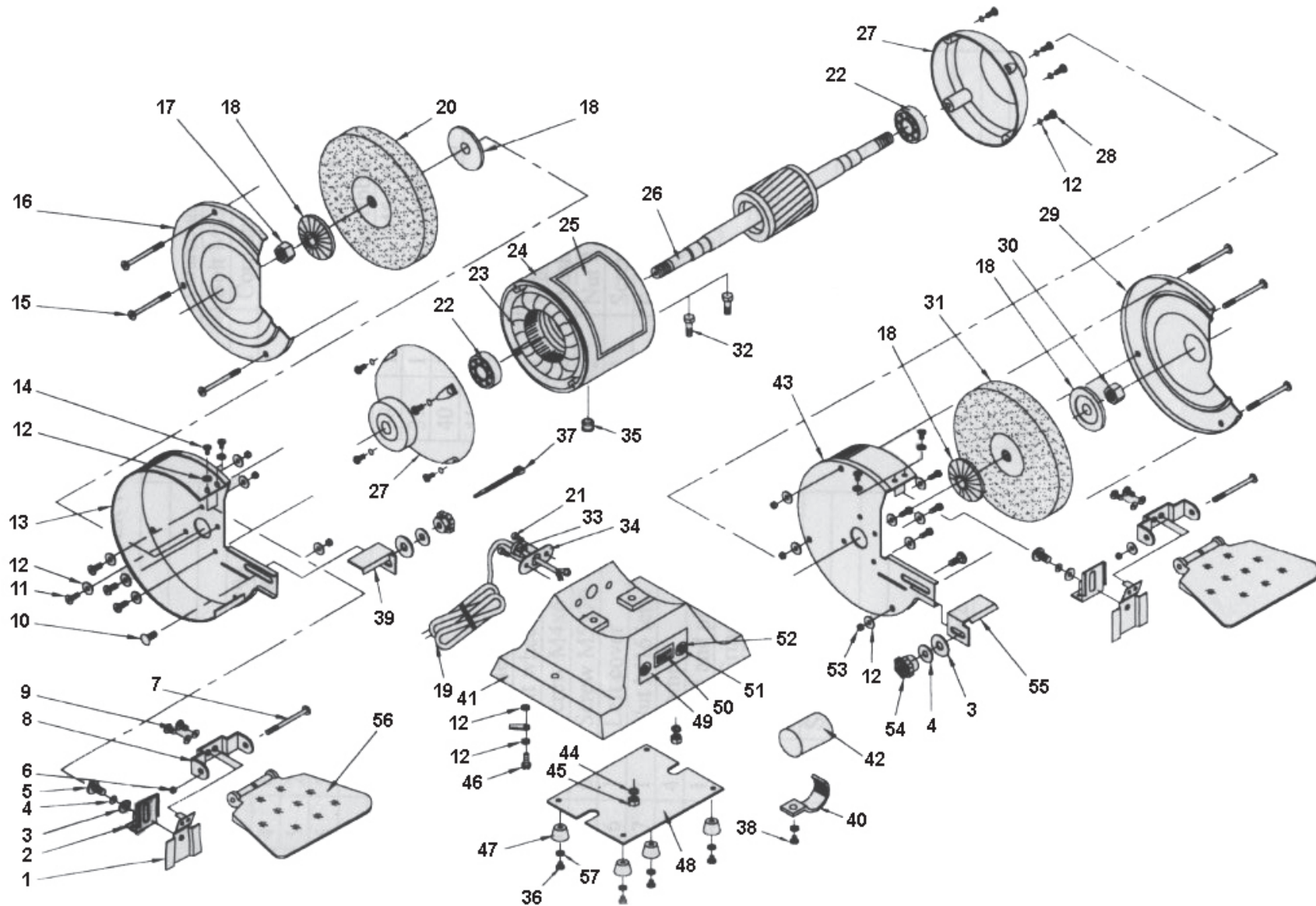




Parts Information:
Bench Grinder Ø200mm 600W/230V Heavy-Duty
Model No: BG200/99.V3



Sealey Group, Kempson Way, Suffolk Business Park, Bury St Edmunds, Suffolk. IP32 7AR



01284 757500



01284 703534



sales@sealey.co.uk



www.sealey.co.uk



Parts Information:
Bench Grinder Ø200mm 600W/230V
Heavy-Duty
Model No: BG200/99.V3

Item	Part No.	Description
1	BG20099V3.01	EYESHIELD BRACKET
2	BG20099V3.02	BRACKET SUPPORT
3	RW619.S	REPAIR WASHER M6x19 (SINGLE)
4	FWM6.S	FLAT WASHER M6 SINGLE
5	MSP610.S	MACHINE SCREW PAN HEAD PHILLIPS M6x10mm (SINGLE)
6	SN4.S	STEEL NUT M4 ZINC DIN934 (SINGLE)
7	MSP455.S	MACHINE SCREW PAN HEAD PHILLIPS M4x55mm (SINGLE)
8	BG20099V3.08	EYESHIELD HOLDER
9	MSP46.S	MACHINE SCREW PAN HEAD PHILLIPS M4x6mm (SINGLE)
10	CBN616.S	COACH BOLT M6x16mm (SINGLE)
11	MSP612.S	MACHINE SCREW PAN HEAD PHILLIPS M6x12mm (SINGLE)
12	FWM5.S	FLAT WASHER M5 SINGLE
13	BG20099V3.13	LEFT WHEEL GUARD
14	MSP46.S	MACHINE SCREW PAN HEAD PHILLIPS M4x6mm (SINGLE)
15	BG20099V3.15	SCREW M5x70
16	BG20099V3.16	LEFT COVER, WHEEL GUARD
17	BG20099V3.17	NUT M16 LEFT
18	BG20099V3.18	WHEEL FLANGE
19	BG20099V3.19	CORD & PLUG
20	BG200/16	GRINDING STONE 200 x 25mm 16mm BORE A36Q COARSE
21	MSP510.S	MACHINE SCREW PAN HEAD PHILLIPS M5x10mm (SINGLE)
22	BG20099V3.22	BEARING 80204zz
23	BG20099V3.23	STATOR
24	BG20099V3.24	MOTOR CASE
25	BG20099V3.25	LABEL
26	BG20099V3.26	ROTOR
27	BG20099V3.27	END CASING
28	MSP520.S	MACHINE SCREW PAN HEAD PHILLIPS M5x20mm (SINGLE)

Item	Part No.	Description
29	BG20099V3.29	RIGHT COVER, WHEEL GUARD
30	BG20099V3.30	NUT M16 LEFT
31	BG200/15	GRINDING STONE 200 x 25mm 16mm BORE A60P FINE
32	MSP825.S	MACHINE SCREW PAN HEAD PHILLIPS M8x25mm (SINGLE)
33	BG20099V3.33	CORD GRIP
34	BG20099V3.34	STRAIN RELIEF
35	BG20099V3.35	PROTECTION RING
36	MSP516.S	MACHINE SCREW PAN HEAD PHILLIPS M5x16mm (SINGLE)
37	BG20099V3.37	CABLE TIE
38	MSP510.S	MACHINE SCREW PAN HEAD PHILLIPS M5x10mm (SINGLE)
39	BG20099V3.39	TOOL REST, LEFT
40	BG20099V3.40	CAPACITOR HOLDER
41	BG20099V3.41	BASE
42	BG20099V3.42	CAPACITOR
43	BG20099V3.43	RIGHT WHEEL GUARD
44	FWM8.S	FLAT WASHER M8 SINGLE
45	SN8.S	STEEL NUT M8 ZINC DIN934 (SINGLE)
46	BG20099V3.46	SCREW M5x8
47	BG20099V3.47	RUBBER FOOT
48	BG20099V3.48	BASE PLATE
49	BG20099V3.49	SWITCH LABEL
50	BG20099V3.50	SWITCH
51	MSP312.S	MACHINE SCREW PAN HEAD PHILLIPS M3x12mm (SINGLE)
52	FWM3.S	FLAT WASHER M3 SINGLE
53	SN5.S	STEEL NUT M5 ZINC DIN934 (SINGLE)
54	BG150XL/96-TF	TOOL REST FIXING COMPLETE
55	BG20099V3.55	RIGHT ADJUSTABLE REST
56	BG20099V3.56	EYESHIELD
57	BG20099V3.57	WASHER 5 GB96

NOTE: It is our policy to continually improve products and as such we reserve the right to alter data, specifications and component parts without prior notice.

IMPORTANT: No liability is accepted for incorrect use of product.

WARRANTY: Guarantee is 12 months from purchase date, proof of which will be required for any claim.

Sealey Group, Kempson Way, Suffolk Business Park, Bury St Edmunds, Suffolk. IP32 7AR



01284 757500



01284 703534



sales@sealey.co.uk



www.sealey.co.uk