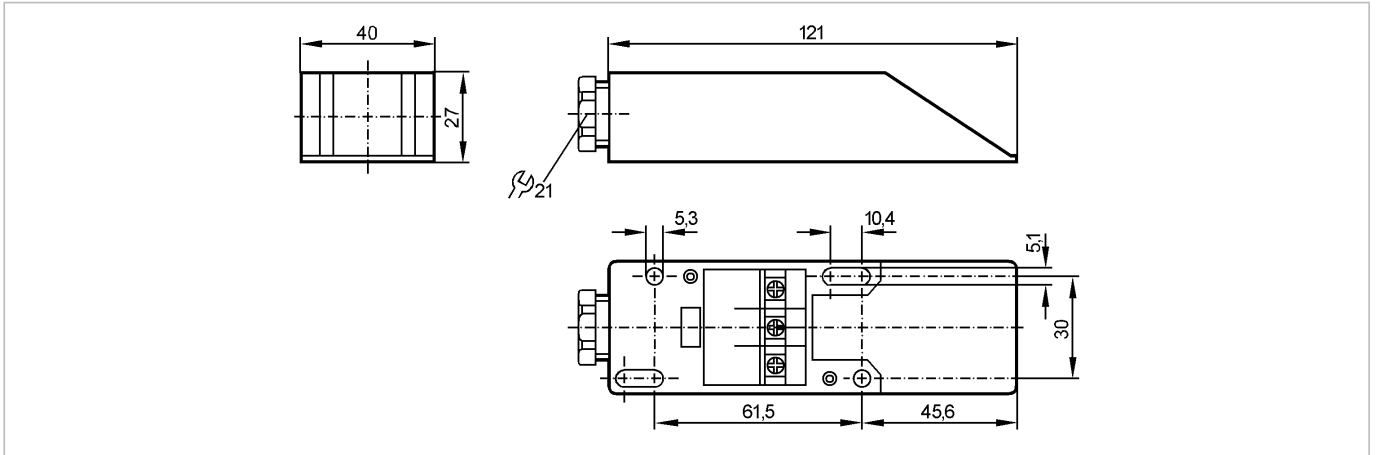


MOUNTING BASE IME/3WIRE

Accessories



Product characteristics

Mounting base

Mechanical data

Housing materials

PPE

Weight

[kg]

0.057

Electrical connection

Connection

terminals up to 2.5 mm<sup>2</sup>; cable gland M20 x 1.5

Remarks

Pack quantity

[piece]

1