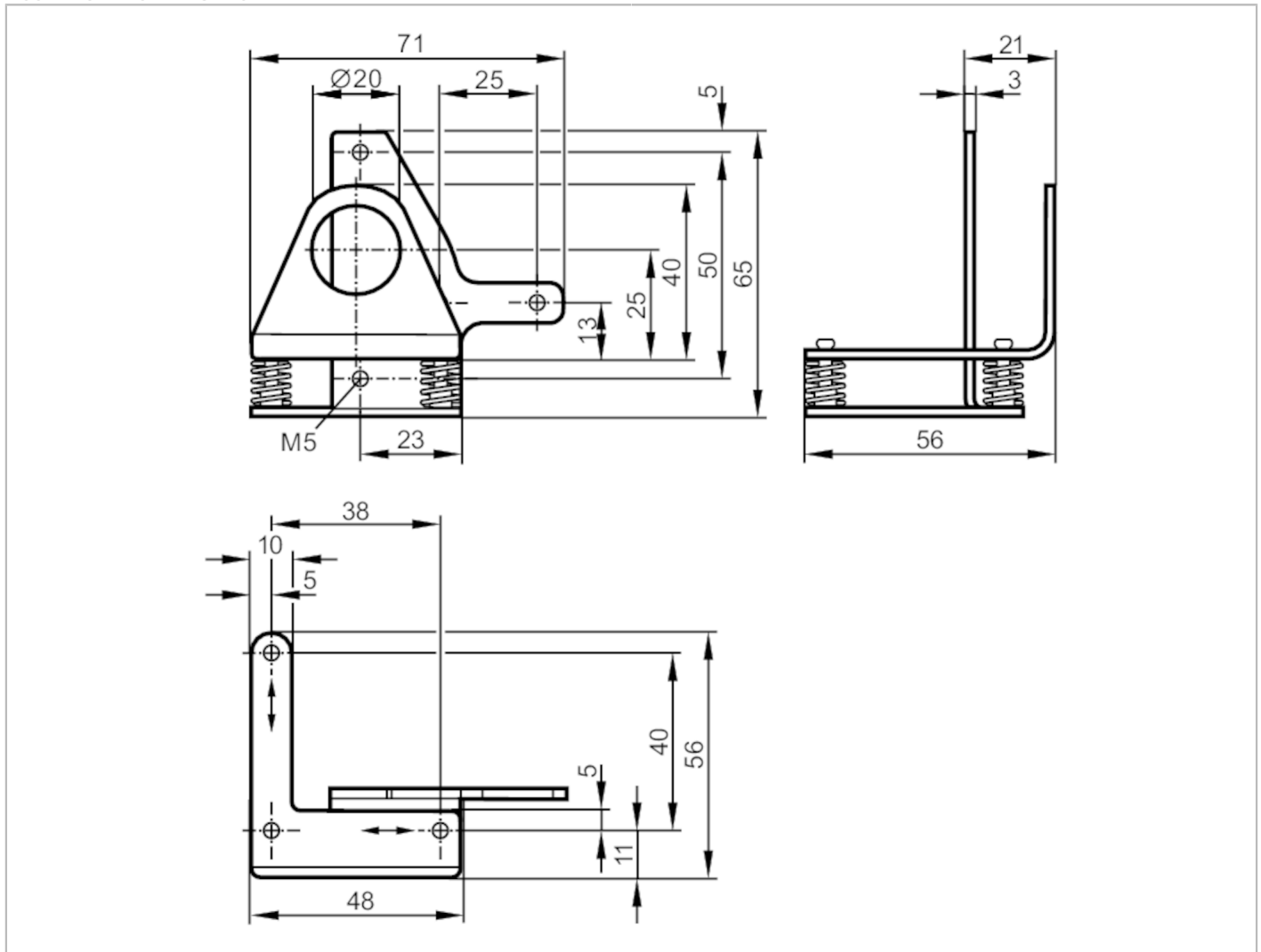


# E20794



## Fixture for mounting and fine adjustment of laser sensors

MOUNTING FIXTURE LASER OL



Application	
Design	clamp mounting
Mechanical data	
Weight [g]	148
Type of mounting	rod or free-standing depending on the clamp
Materials	stainless steel (1.4571/316Ti)
Alignment range	fine adjustment in 2 axes $\pm 4^\circ$
Accessories	
Accessories (optional)	Clamp, for rod mounting, E20795 Clamp, for free-standing mounting, E20796
Remarks	
Remarks	To fix O5 units M5 x 25 mm cylinder head bolts are needed.
Pack quantity	1 pcs.