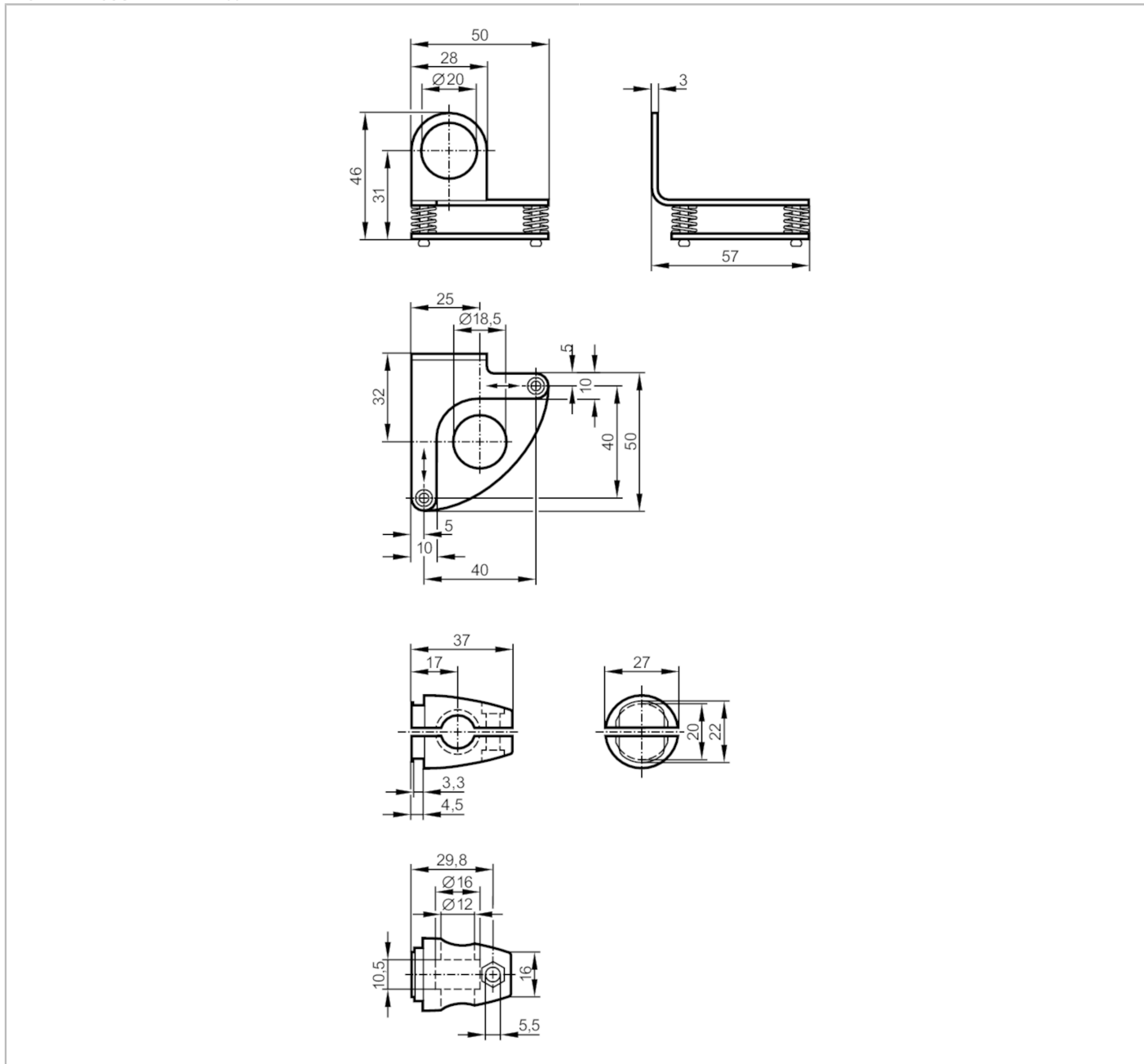


E21219



Fixture for mounting and fine adjustment of laser sensors

M18 FINE ADJUSTMENT 200



Application	
Design	clamp mounting
Mechanical data	
Weight [g]	165
Type of mounting	Mounting rod; ($\varnothing 12$ mm)
Dimensions [mm]	$\varnothing 18.5$
Materials	fixture: stainless steel (1.4571/316Ti); Clamp: diecast zinc
Alignment range	fine adjustment in 2 axes $\pm 3^\circ$
Remarks	
Pack quantity	1 pcs.