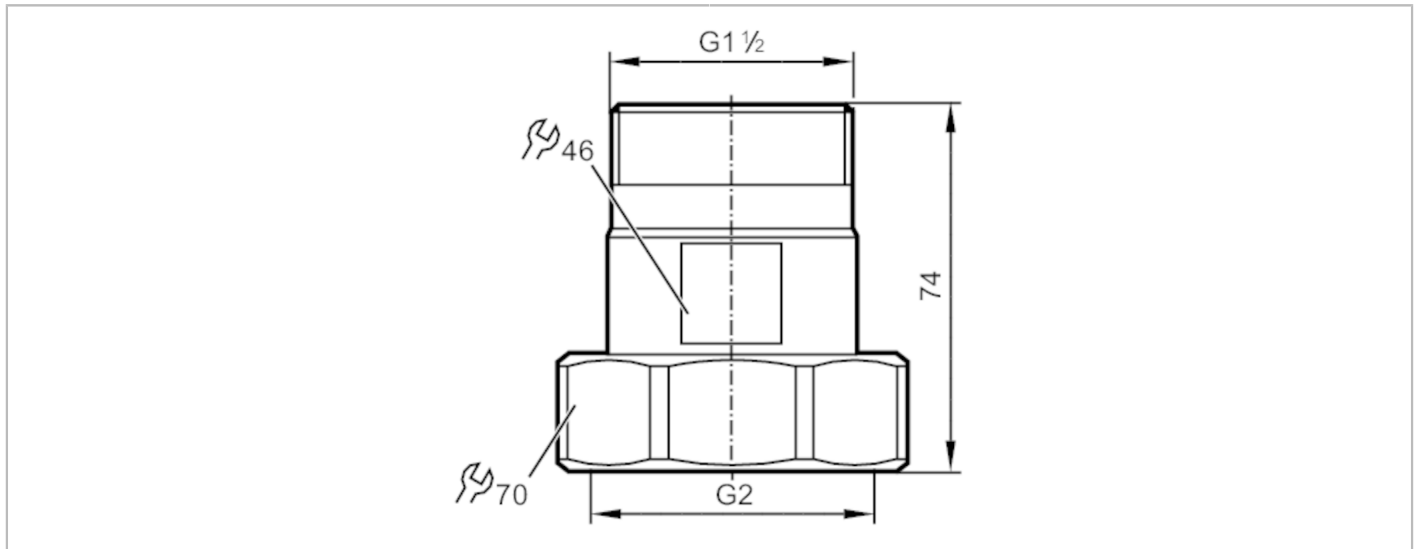


E40230



Mounting adapter for inline flow sensors

ADAPT ISM/1/G 1 1/2



ACS

| Application | |
|------------------------|---|
| Design | for flow sensors Typ SM2, SM9 |
| Pressure rating [bar] | 16 |
| Mechanical data | |
| Weight [g] | 1519.5 |
| Materials | Adapter: stainless steel (1.4571/316Ti); Gasket: Centellen 55 x 43 x 3 mm |
| Sensor connection | G 2 |
| Process connection | G 1 1/2 |
| Accessories | |
| Accessories (supplied) | O-rings: 2 |
| Remarks | |
| Pack quantity | 2 pcs. |