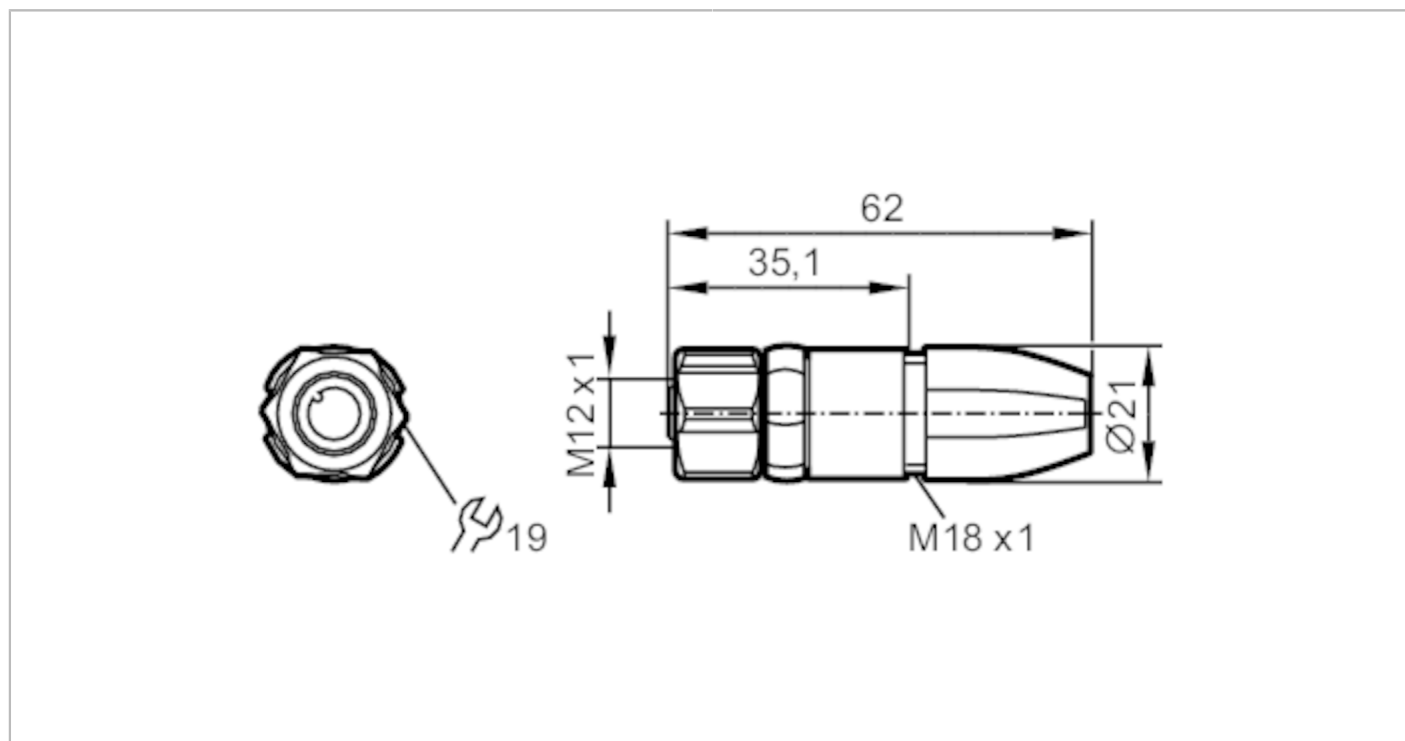


# EVC810



## Wirable socket

SDOGH040MSSFKPG

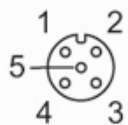


Application	
Special feature	Free from silicone; Gold-plated contacts
Free from silicone	yes
Electrical data	
Operating voltage [V]	< 250 AC / < 300 DC
Protection class	II
Max. current load total [A]	4; (...40 °C)
Operating conditions	
Ambient temperature [°C]	-25...90
Protection	IP 65; IP 67; IP 68; IP 69K
Mechanical data	
Weight [g]	41.1
Materials	Moulded body: PA 6.6 orange; Sealing: FKM green
Material nut	nickel-plated brass
Remarks	
Pack quantity	1 pcs.
Electrical connection	
screw terminals: 0.25...1 mm <sup>2</sup> ; Cable sheath: Ø 3.5...6 mm; AWG 23...17	
Electrical connection - socket	
Connector: 1 x M12, straight; Moulded body: PA 6.6, orange; Locking: nickel-plated brass; Sealing: FKM; Contacts: gold-plated; Tightening torque: 0.6...1.2 Nm; Take into account the maximum value of the counterpart!	

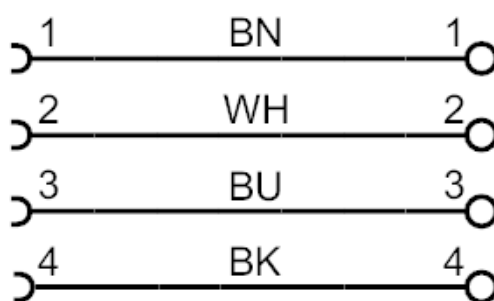
# EVC810

## Wirable socket

SDOGH040MSSFKPG



### Connection



Core colours :

BN = brown  
WH = white  
BU = blue  
BK = black

colours to DIN EN 60947-5-2